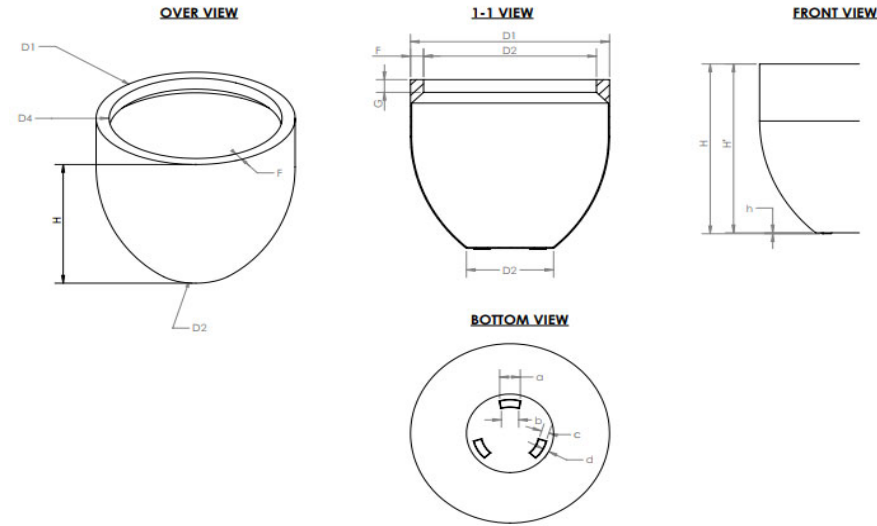


# 69285 ALZIRA ROUND SERIES



*Due to the handmade nature of our products, weights and dimensions may vary*

| CODE     | BREIF CODE | EXTERIA DIMENSION |    |    |                   |                   |                     | INTERIA DIMENSION   |    |      |      |      |      | FEET DIMENSION |       |        |        |      | PRODUCT VOLUME (m <sup>3</sup> ) | PRODUCT VOLUME (gal) | PRODUCT WEIGHT (kg) | PRODUCT WEIGHT (lbs) | MAXIMUM LOAD (kg) | MAXIMUM LOAD (lbs) |
|----------|------------|-------------------|----|----|-------------------|-------------------|---------------------|---------------------|----|------|------|------|------|----------------|-------|--------|--------|------|----------------------------------|----------------------|---------------------|----------------------|-------------------|--------------------|
|          |            | L                 | W  | H  | D1 (TOP DIAMETER) | D3(BODY DIAMETER) | D2 (BOTTOM DIAMTER) | D4 (INNER DIAMETER) | H  | H'   | h    | F    | G    | α              | a     | b      | c      | d    |                                  |                      |                     |                      |                   |                    |
| 69285.23 | 285.23     | 23                | 23 | 22 | 23                | 23                | 10.35               | 18.67               | 22 | 21.8 | 0.20 | 2.17 | 1.38 | 135            | 2.32  | 1.77   | 0.98   | 0.98 | 0.100                            | 26.4                 | 7.2                 | 15.8                 | 100.0             | 220.0              |
| 69285.30 | 285.30     | 30                | 30 | 28 | 30                | 30                | 13.5                | 25.5                | 28 | 27.8 | 0.20 | 2.24 | 2.40 | 135            | 3.375 | 2.3625 | 1.6875 | 1.91 | 0.230                            | 60.8                 | 12.6                | 27.7                 | 230.0             | 506.0              |
| 69285.36 | 285.36     | 36                | 36 | 34 | 36                | 36                | 16.2                | 31.3                | 34 | 33.8 | 0.20 | 2.36 | 2.36 | 135            | 3.74  | 3.14   | 1.37   | 1.18 | 0.400                            | 105.7                | 17.9                | 39.3                 | 400.0             | 880.0              |