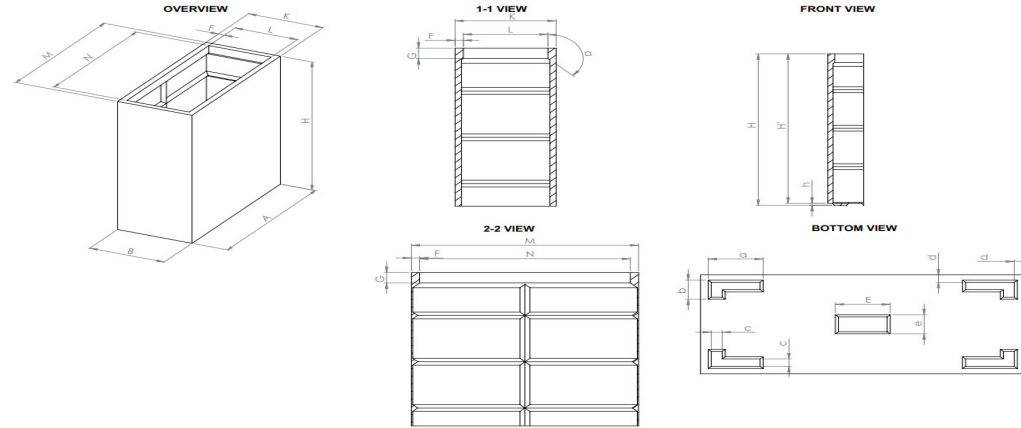


69367 - TOLGA RECTANGULAR SERIES



| CODE | BREIF CODE | EXTERIOR DIMENSION | | | | | | | | | | | INTERIOR DIMENSION | | | | | FEET DIMENSION | | | | | | PRODUCT VOLUME (m ³) | PRODUCT VOLUME (gal) | Products weight (kg) | Products weight (lbs) | MAXIMUM LOAD (kg) | MAXIMUM LOAD (lbs) |
|----------|------------|--------------------|----|----|---------|--------|------------|--------|------------|-------------|------------------|----------|--------------------|-----|------|------|------|----------------|-----|-----|-----|------|-----|----------------------------------|----------------------|----------------------|-----------------------|-------------------|--------------------|
| | | OVERAL DIMENSION | | | LENGTH | | | WIDTH | | HEIGHT | | | | | | | | | | | | | | | | | | | |
| | | L | W | H | TOP (M) | MIDDLE | BOTTOM (A) | TOP(K) | BOTTOM (B) | OVERALL (H) | BODY HEIGHT (H') | FEET (h) | F | G | N | L | α | a | b | c | d | E | e | | | | | | |
| 69367.C | 367.C | 16 | 16 | 24 | 16 | 16 | 16 | 16 | 16 | 24 | 23.4 | 0.6 | 1.3 | 1.8 | 13.4 | 13.4 | 135° | 2.4 | 2.4 | 1.2 | 1.2 | 2.4 | 2.4 | 0.091 | 24 | 9.5 | 21.0 | 91 | 199 |
| 69367.24 | 367.24 | 24 | 16 | 24 | 24 | 24 | 24 | 16 | 16 | 24 | 23.4 | 0.6 | 1.3 | 1.8 | 21.4 | 13.4 | 135° | 3.6 | 2.4 | 1.2 | 1.2 | 3.6 | 2.4 | 0.136 | 36 | 12.6 | 27.8 | 136 | 299 |
| 69367.36 | 367.36 | 36 | 16 | 24 | 36 | 36 | 36 | 16 | 16 | 24 | 23.4 | 0.6 | 1.3 | 1.8 | 33.4 | 13.4 | 135° | 5.4 | 2.4 | 1.2 | 1.2 | 5.4 | 2.4 | 0.204 | 54 | 16.4 | 36.2 | 204 | 449 |
| 69367.48 | 367.48 | 48 | 16 | 24 | 48 | 48 | 48 | 16 | 16 | 24 | 23.4 | 0.6 | 1.3 | 1.8 | 45.4 | 13.4 | 135° | 7.2 | 2.4 | 1.2 | 1.2 | 7.2 | 2.4 | 0.272 | 72 | 21.0 | 46.2 | 272 | 598 |
| 69367.60 | 367.60 | 60 | 16 | 24 | 60 | 60 | 60 | 16 | 16 | 24 | 23.4 | 0.6 | 1.3 | 1.8 | 57.4 | 13.4 | 135° | 9 | 2.4 | 1.2 | 1.2 | 9 | 2.4 | 0.340 | 90 | 24.9 | 54.7 | 340 | 748 |
| 69367.72 | 367.72 | 72 | 16 | 24 | 72 | 72 | 72 | 16 | 16 | 24 | 23.4 | 0.6 | 1.3 | 1.8 | 69.4 | 13.4 | 135° | 10.8 | 2.4 | 1.2 | 1.2 | 10.8 | 2.4 | 0.408 | 108 | 26.9 | 59.2 | 408 | 897 |