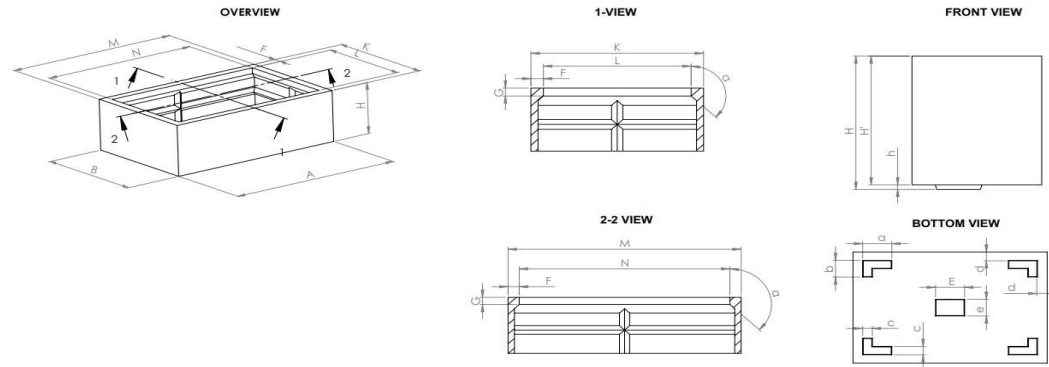


70125 - TORINO RECTANGULAR SERIES



Due to the handmade nature of our products, weights and dimensions may vary

CODE	BREIF CODE	EXTERIOR DIMENSION											INTERIOR DIMENSION					FEET DIMENSION					PRODUCT VOLUME (m ³)	PRODUCT VOLUME (gal)	Products weight (kg)	Products weight (lbs)	MAXIMUM LOAD (kg)	MAXIMUM LOAD (lbs)	
		OVERAL DIMENSION			LENGTH			WIDTH		HEIGHT			F	G	N	L	α	a	b	c	d	E							e
		L	W	H	TOP (M)	MIDDLE	BOTTOM (A)	TOP(K)	BOTTOM (B)	OVERALL (H)	BODY HEIGHT (H')	FEET (h)																	
70125.C	125.C	24	24	18	24	24	24	24	24	18	17.6	0.4	1.7	1.3	20.6	20.6	135°	3.6	3.6	1.8	1.8	3.6	3.6	0.154	41	13.2	29.1	154	338
70125.36	125.36	36	24	18	36	36	36	24	24	18	17.6	0.4	1.7	1.3	32.6	20.6	135°	5.4	3.6	1.8	1.8	5.4	3.6	0.231	61	16.9	37.2	231	508
70125.48	125.48	48	24	18	48	48	48	24	24	18	17.6	0.4	1.7	1.3	44.6	20.6	135°	7.2	3.6	1.8	1.8	7.2	3.6	0.308	81	21.1	46.3	308	677
70125.60	125.60	60	24	18	60	60	60	24	24	18	17.6	0.4	1.7	1.3	56.6	20.6	135°	9	3.6	1.8	1.8	9	3.6	0.385	102	27.0	59.3	385	846
70125.72	125.72	72	24	18	72	72	72	24	24	18	17.6	0.4	1.7	1.3	68.6	20.6	135°	10.8	3.6	1.8	1.8	10.8	3.6	0.462	122	30.8	67.7	462	1015