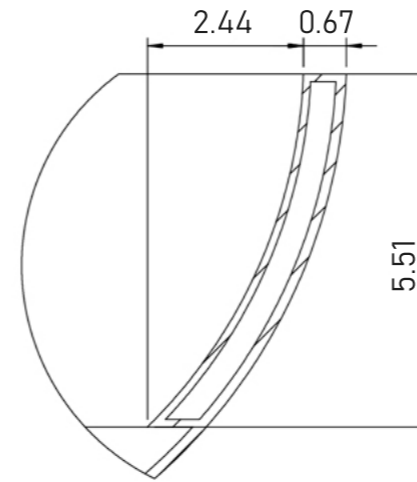
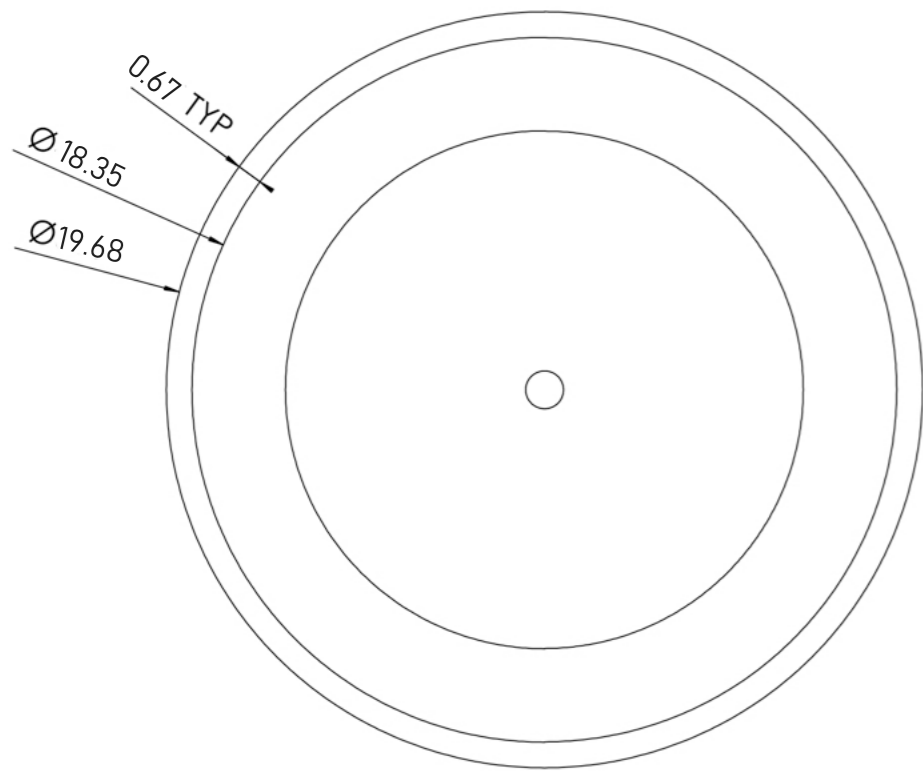
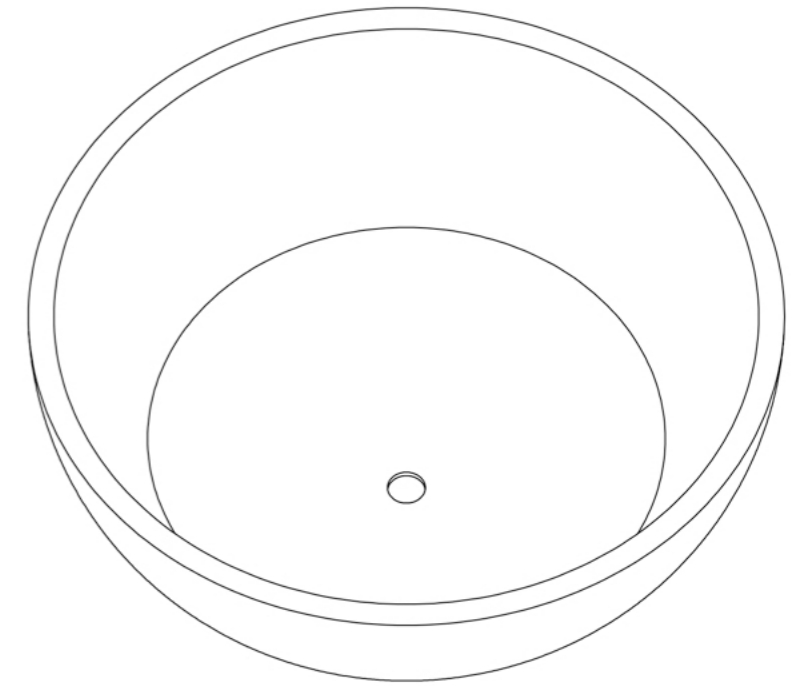


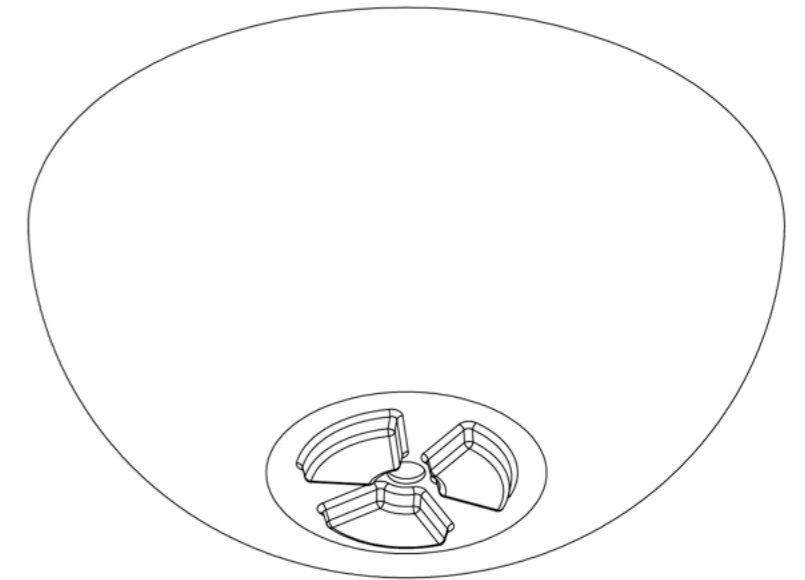
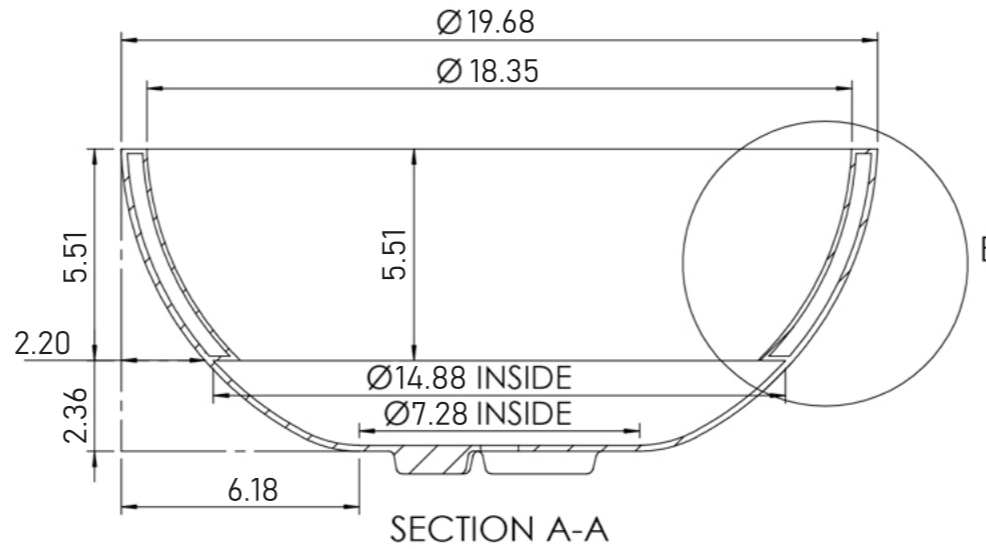
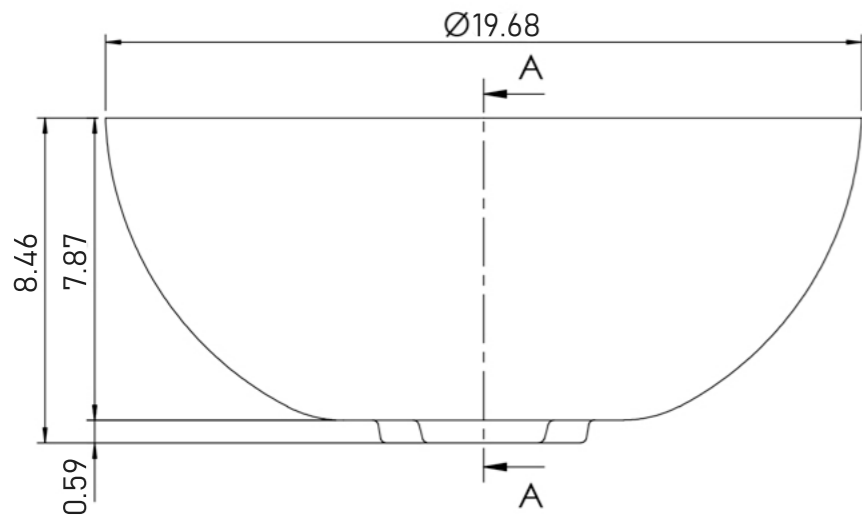
TOP



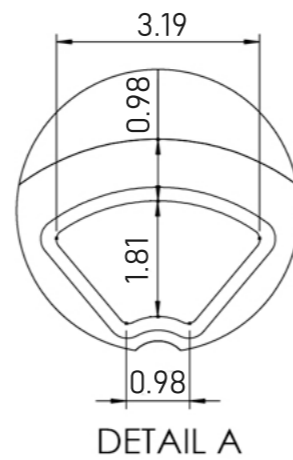
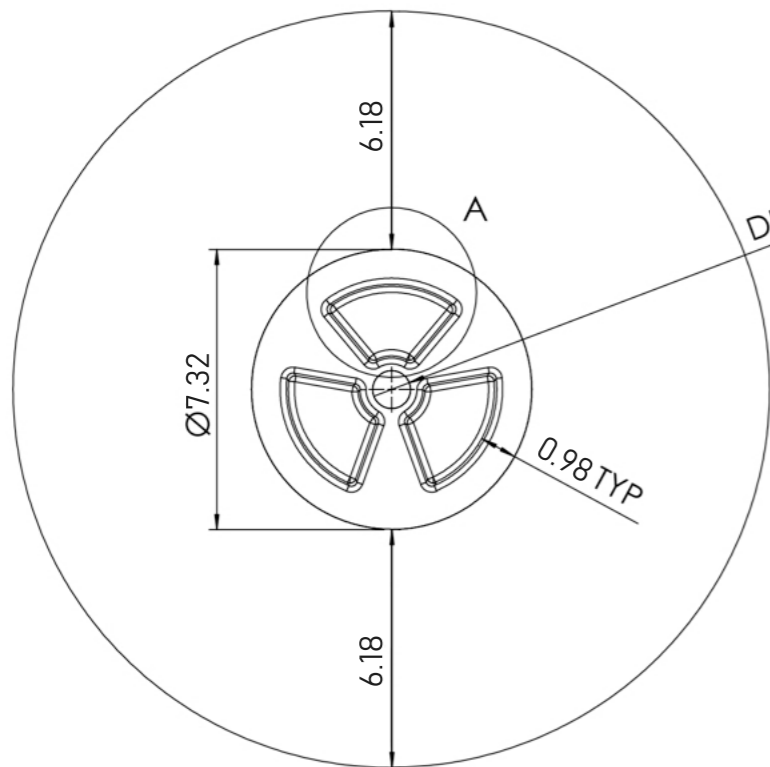
DETAIL B



BODY



MOTTOM



SCALE : 1:8	WEIGHT: ..... kg	REVISION : 0	NAME	SIGNATURE	DATE		
PROJECT: COSA POTS			DRAWN TOAN		19/09/2024		
DESCRIPTION: CAVO 50			CHECKED TOM			DIMENSION	
ITEM CODE: CA.50			CHECKED HUU TUAN			SYMBOL	UNIT
FIBERGLASS LAYER: .....			CHECKED			[ NUMBER " ]	INCH
PRIMER <input type="checkbox"/> TOPCOAT <input type="checkbox"/>			MFG APPR THU HANH			NUMBER	INCH
COLOR: TBD			MFG APPR UYEN HANH			MATERIAL: COMPOSITE	
SHEET 1 OF 1						SIZE: A3	