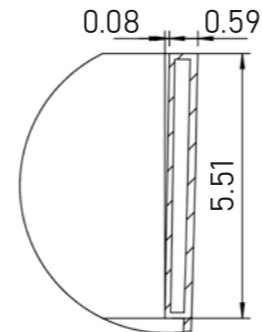
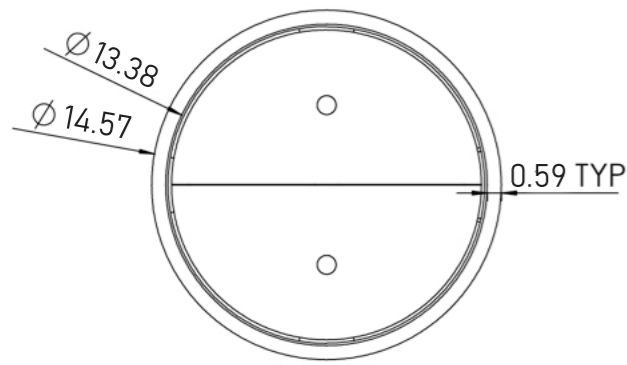
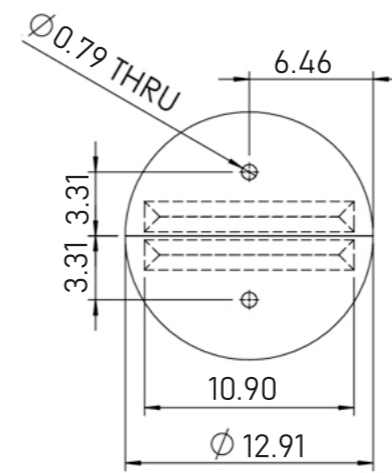


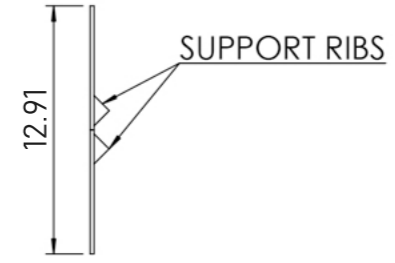
TOP



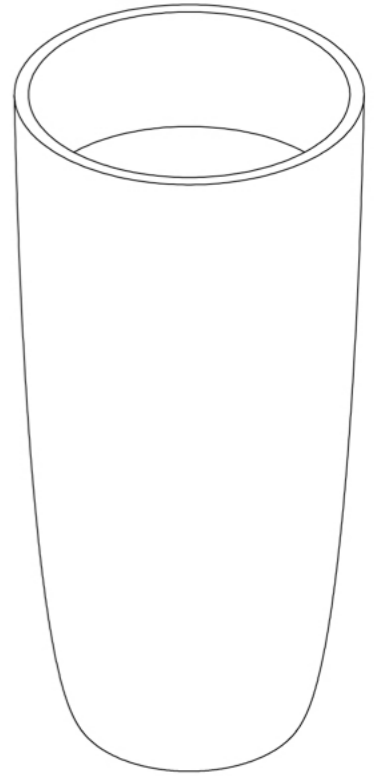
DETAIL B



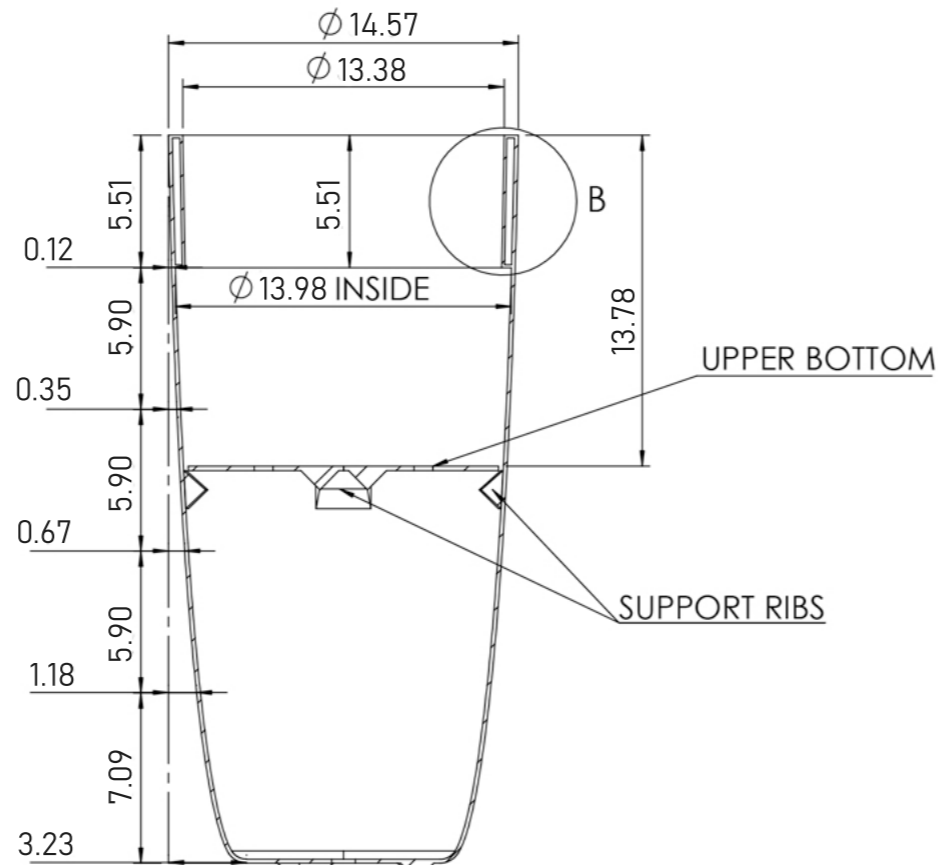
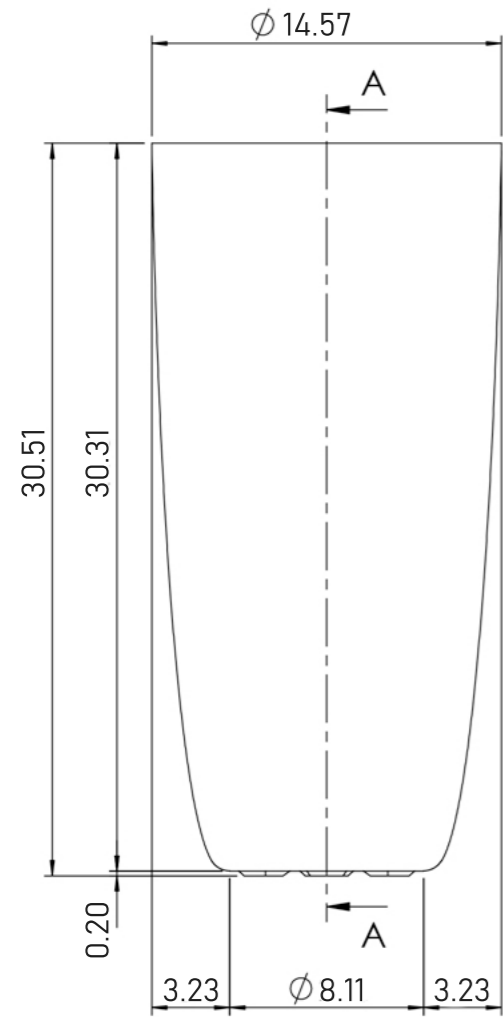
UPPER BOTTOM



SUPPORT RIBS



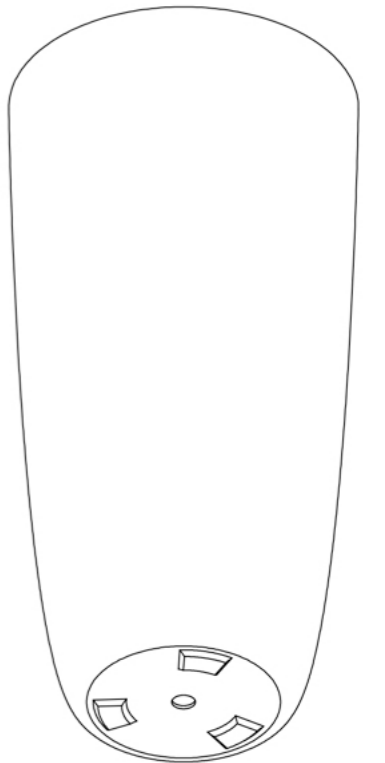
BODY



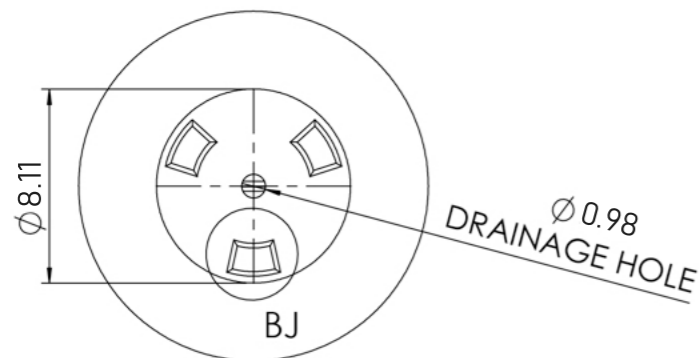
SECTION A-A

UPPER BOTTOM

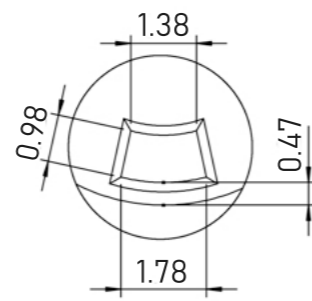
SUPPORT RIBS



BOTTOM



Ø 0.98 DRAINAGE HOLE



DETAIL BJ

SCALE: 1:8	WEIGHT: kg	REVISION: 1		NAME	SIGNATURE	DATE		
PROJECT: COSA POTS			DRAWN	TOAN		11-Apr-24		
DESCRIPTION: LOFTO 37			CHECKED	TOM				
ITEM CODE: LO.37			CHECKED	HUU TUAN			DIMENSION	
FIBERGLASS LAYER:			CHECKED				SYMBOL	UNIT
PRIMER <input type="checkbox"/> TOPCOAT <input type="checkbox"/>			COLOR: TBD		MFG APPR	THU HANH	[NUMBER "]	INCH
			MFG APPR	UYEN HANH			NUMBER	INCH
					MATERIAL: COMPOSITE		SIZE: A3	
					SHEET 1 OF 1			