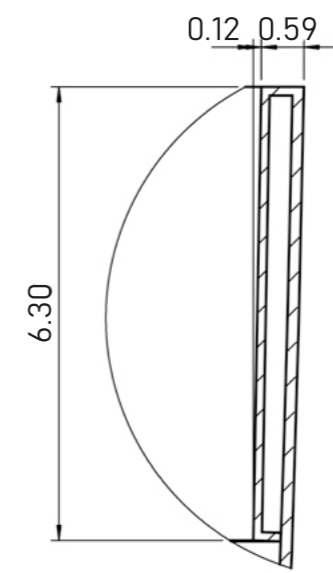
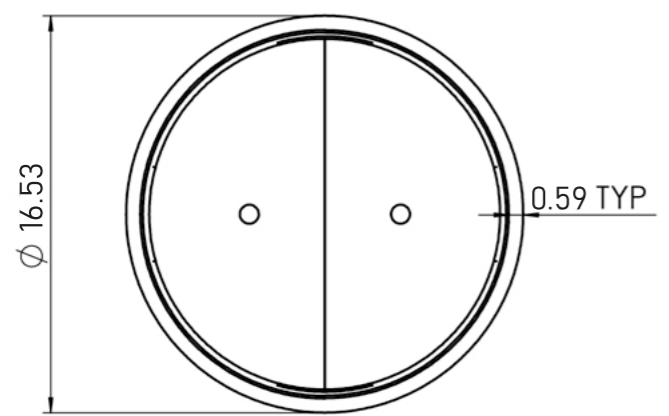
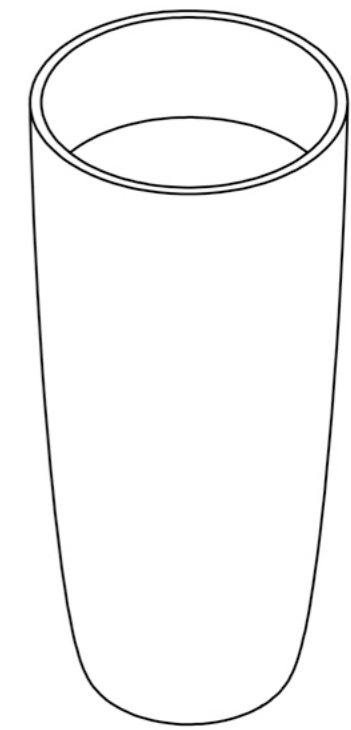


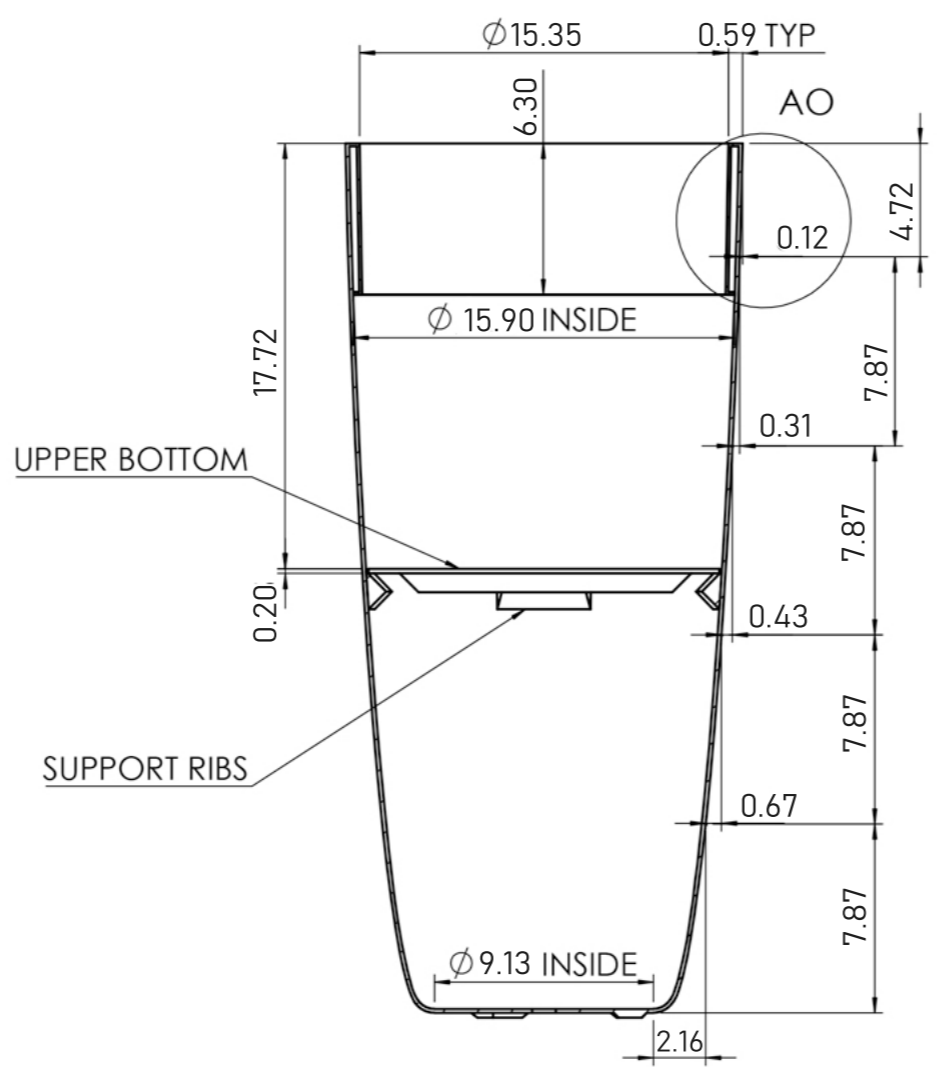
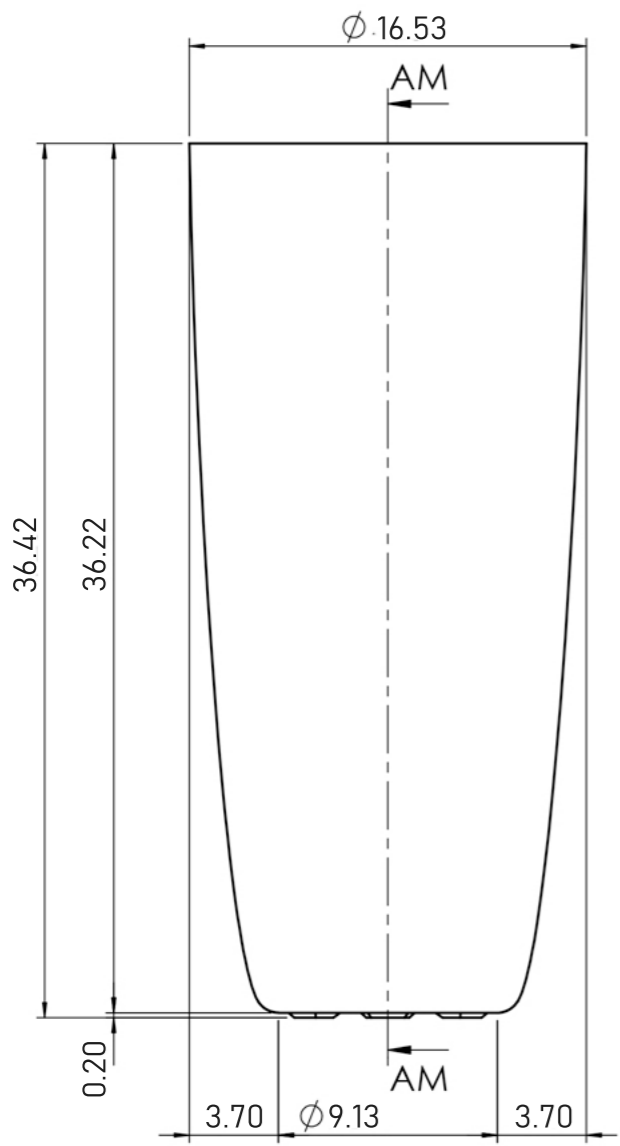
TOP



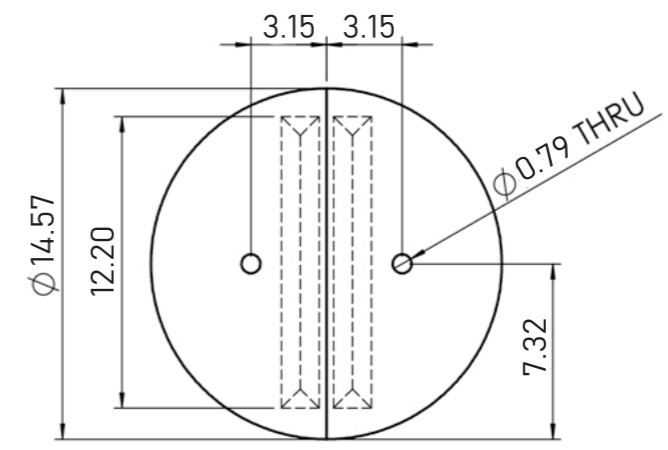
DETAIL AO



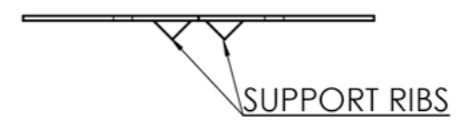
BODY



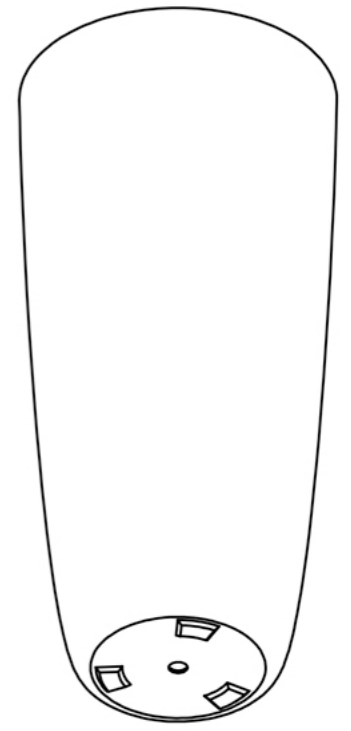
SECTION AM-AM



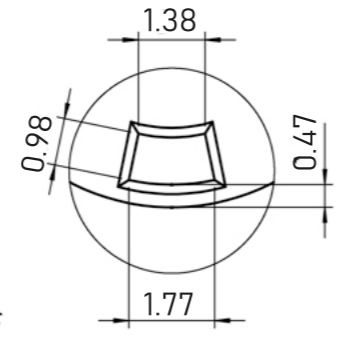
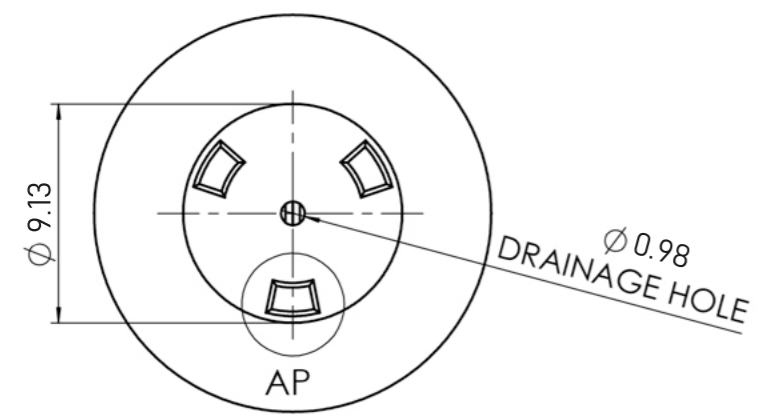
UPPER BOTTOM



SUPPORT RIBS



BOTTOM



DETAIL AP

SCALE: 1:8	WEIGHT: ..... kg	REVISION: 1	NAME	SIGNATURE	DATE	
PROJECT: COSA POTS			DRAWN: TOM		11-Apr-24	
DESCRIPTION: LOFTO 42			CHECKED: TOAN			
ITEM CODE: LO.42			CHECKED:			DIMENSION
FIBERGLASS LAYER: .....			CHECKED:			SYMBOL
PRIMER <input type="checkbox"/> TOPCOAT <input type="checkbox"/>			MFG APPR: THU HANH			UNIT
COLOR: TBD			MFG APPR: UYEN HANH			[ NUMBER " ]
						INCH
						NUMBER
						INCH
						MATERIAL: COMPOSITE
						SHEET 1 OF 1
						SIZE: A3