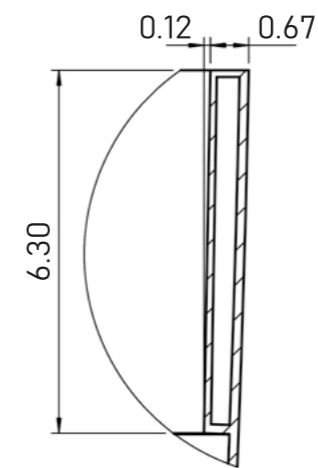
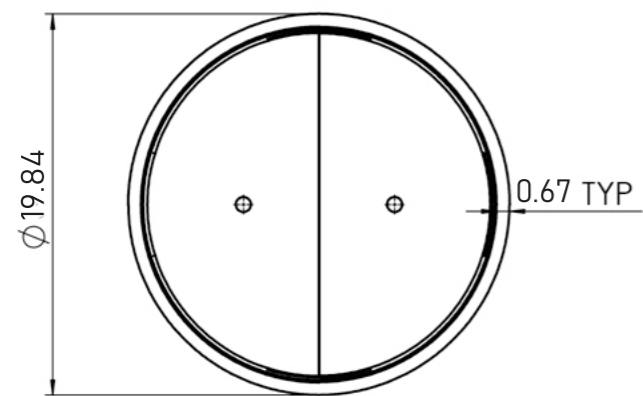
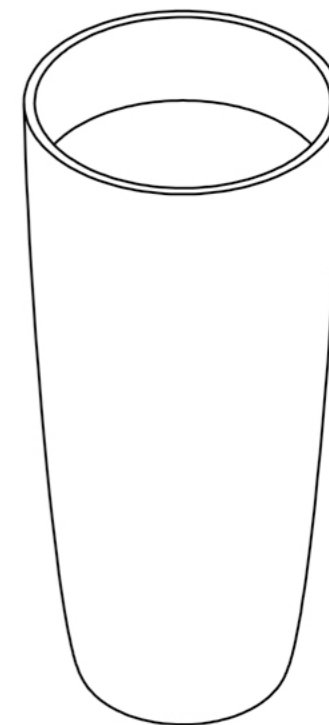


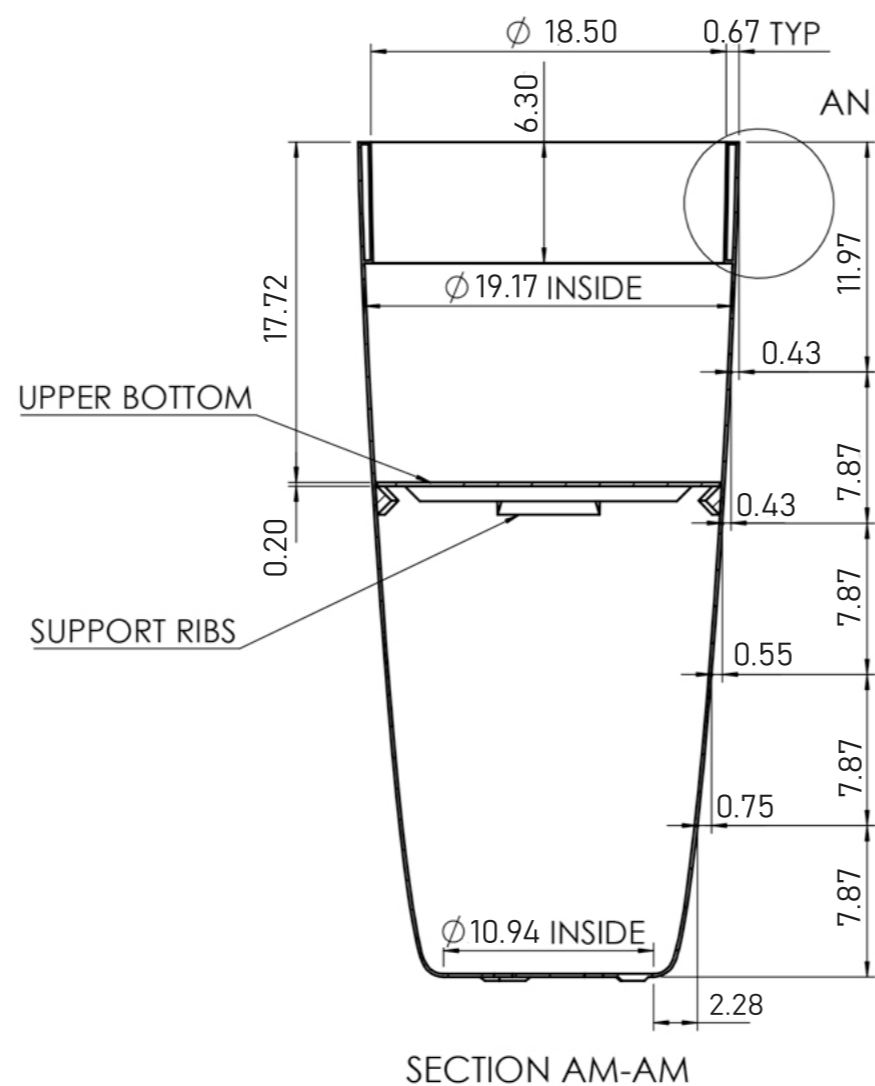
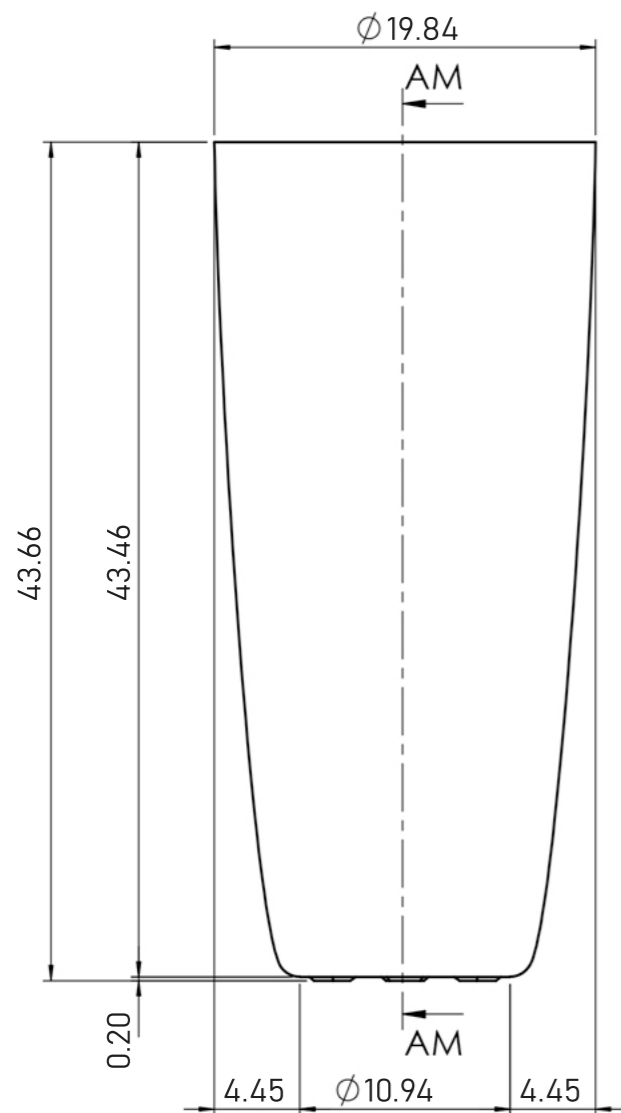
TOP



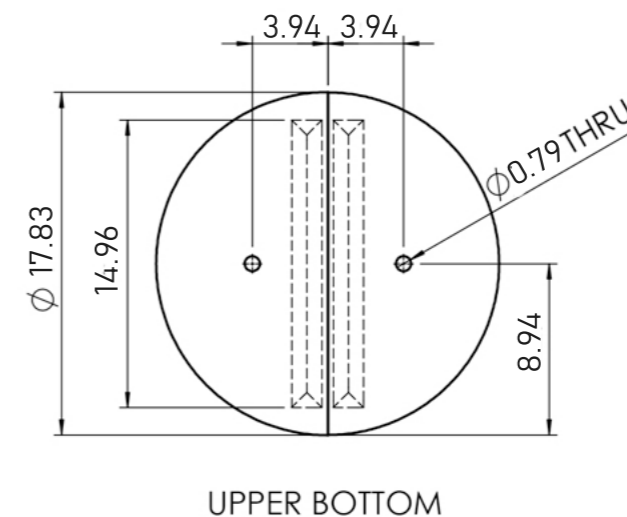
DETAIL AN



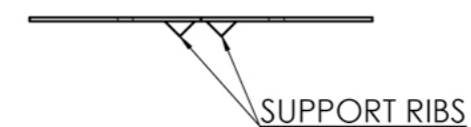
BODY



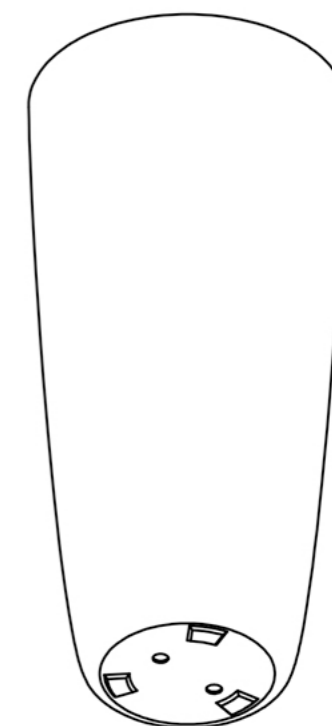
SECTION AM-AM



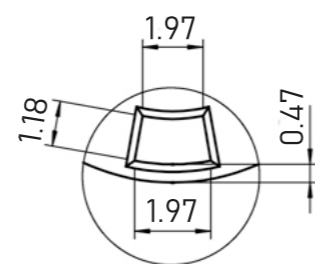
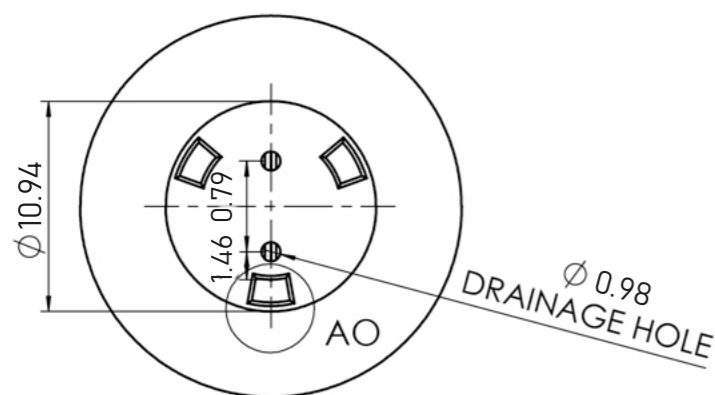
UPPER BOTTOM




SUPPORT RIBS



BOTTOM



DETAIL AO

SCALE : 1:10	WEIGHT: kg	REVISION : 1	NAME	SIGNATURE	DATE		
PROJECT: COSA POTS			DRAWN	TOM	11-Apr-24		DIMENSION
DESCRIPTION: LOFTO 50			CHECKED	TOAN			SYMBOL
ITEM CODE: LO.50			CHECKED				UNIT
FIBERGLASS LAYER:			CHECKED			[NUMBER "]	
PRIMER <input type="checkbox"/> TOPCOAT <input type="checkbox"/>			CHECKED			INCH	
COLOR: TBD			MFG APPR	THU HANH		NUMBER	
			MFG APPR	UYEN HANH		INCH	
						MATERIAL: COMPOSITE	
						SHEET 1 OF 1	
						SIZE: A3	