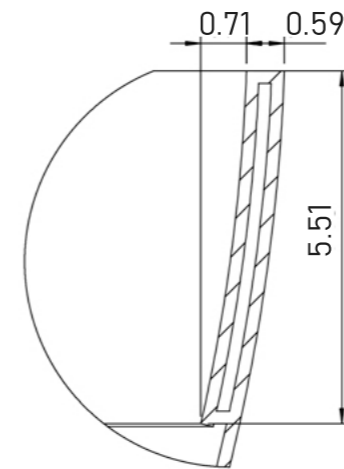
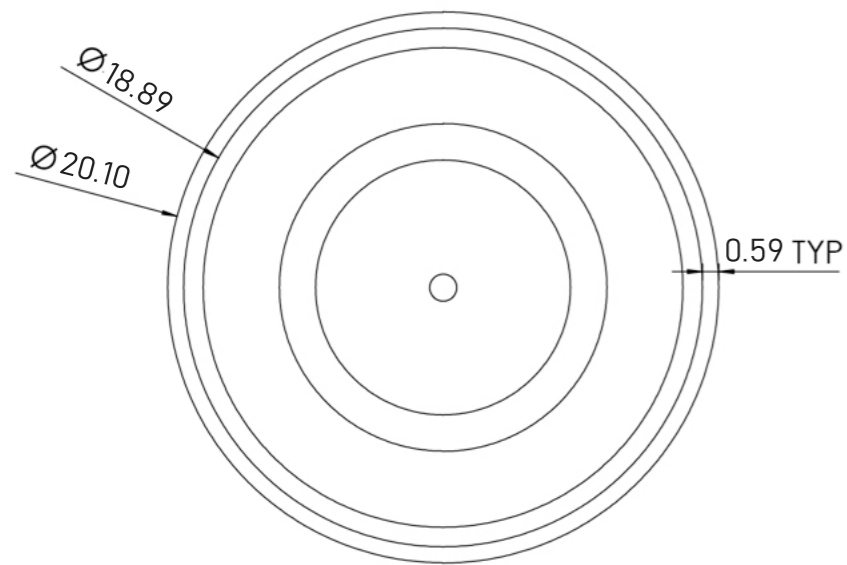
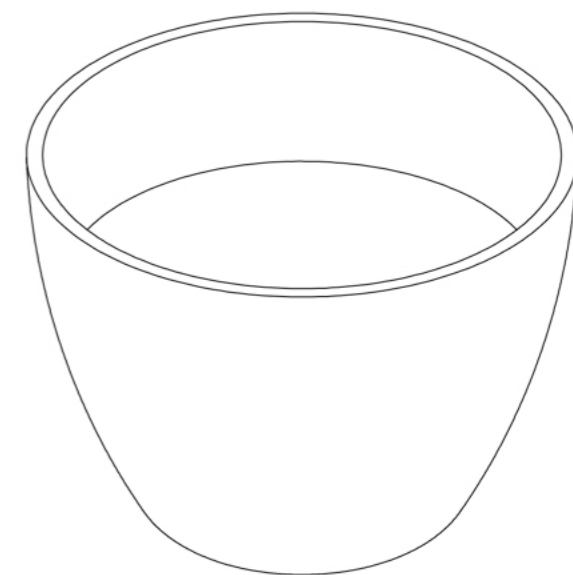


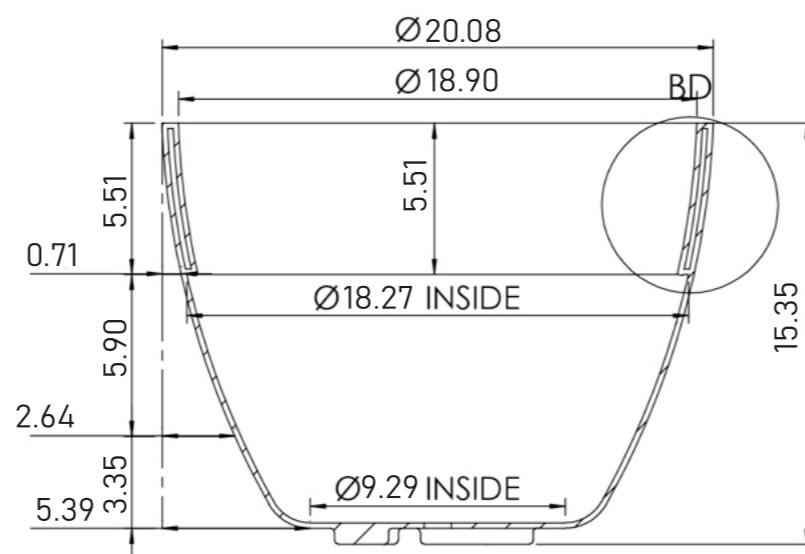
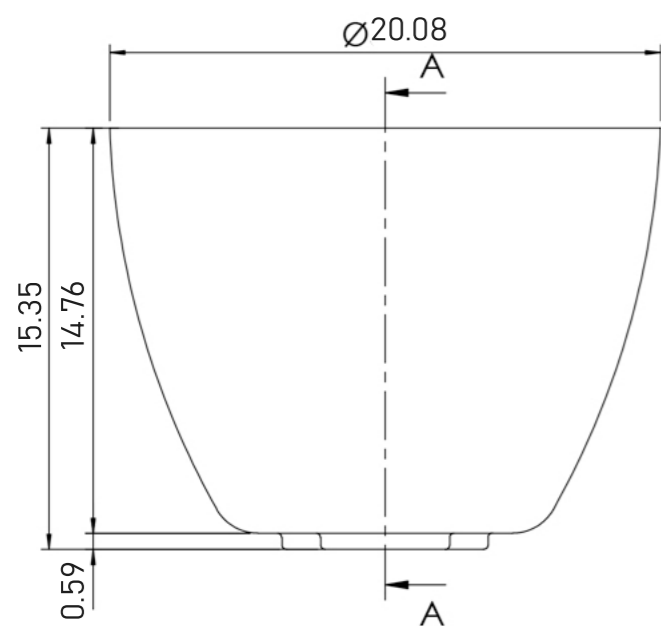
TOP



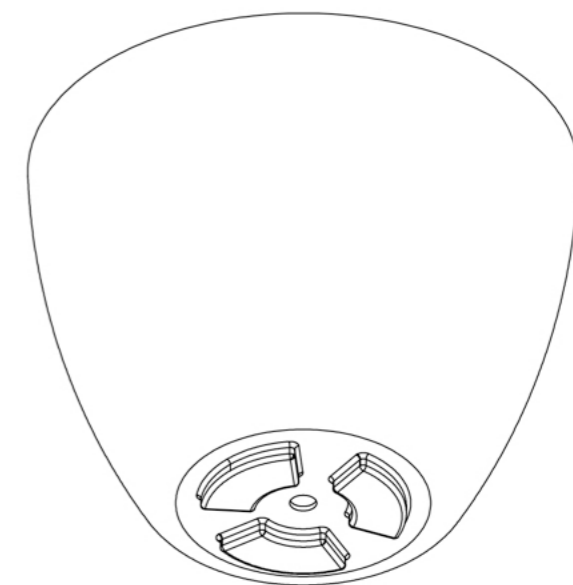
DETAIL BD



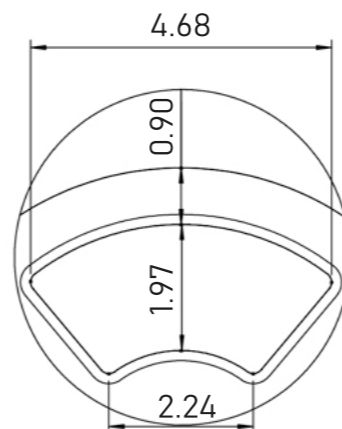
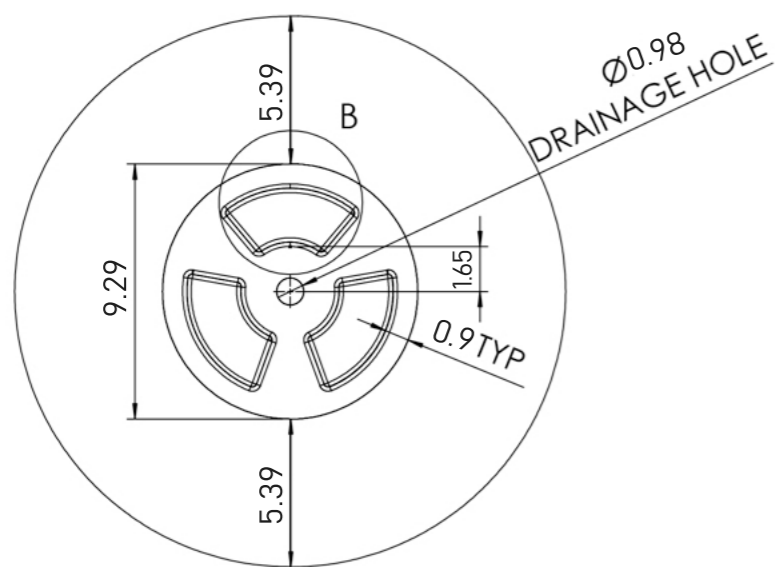
BODY



SECTION A-A
SCALE 1 : 7



MOTION



DETAIL B

SCALE : 1:7	WEIGHT: kg	REVISION : 0		NAME	SIGNATURE	DATE		
PROJECT: COSA POTS			DRAWN	TOAN		19/09/2024		
DESCRIPTION: LUPO 51			CHECKED	TOM			DIMENSION	
ITEM CODE: LU.51			CHECKED	HUU TUAN			SYMBOL	UNIT
FIBERGLASS LAYER:			CHECKED				[NUMBER "]	INCH
PRIMER <input type="checkbox"/> TOPCOAT <input type="checkbox"/>			MFG APPR	THU HANH			NUMBER	INCH
COLOR: TBD			MFG APPR	UYEN HANH			MATERIAL: COMPOSITE	
SHEET 1 OF 1							SIZE:	A3