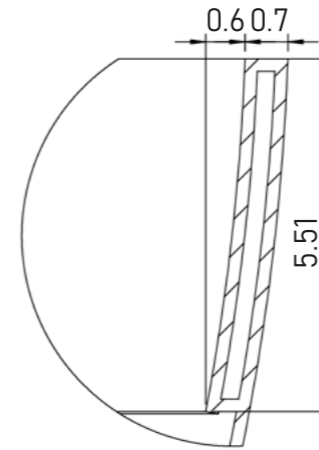
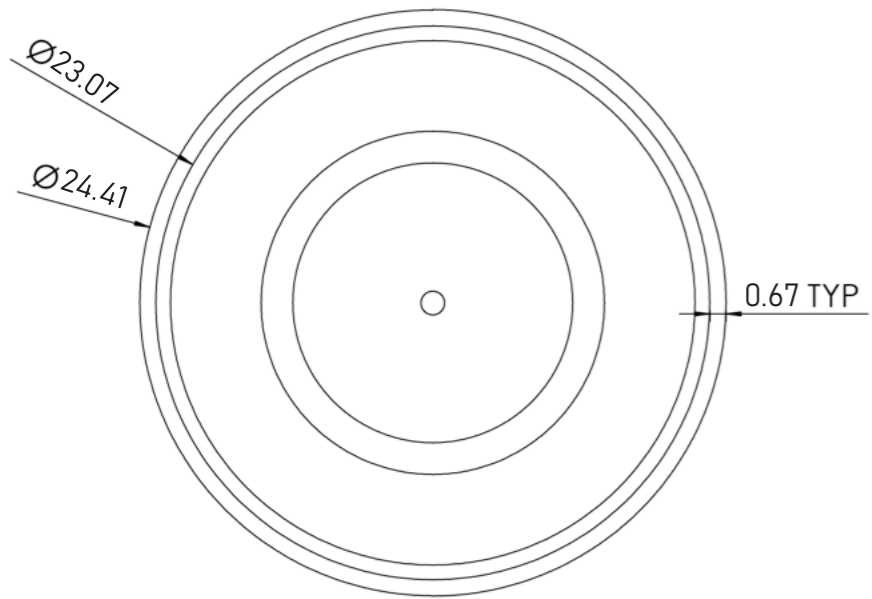
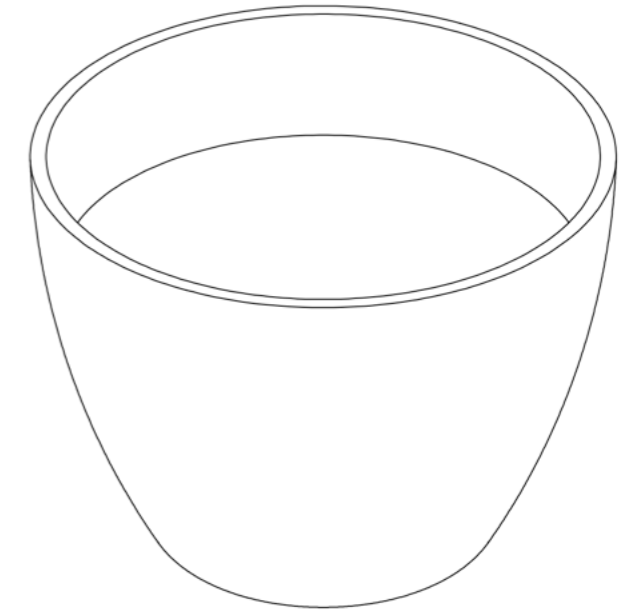


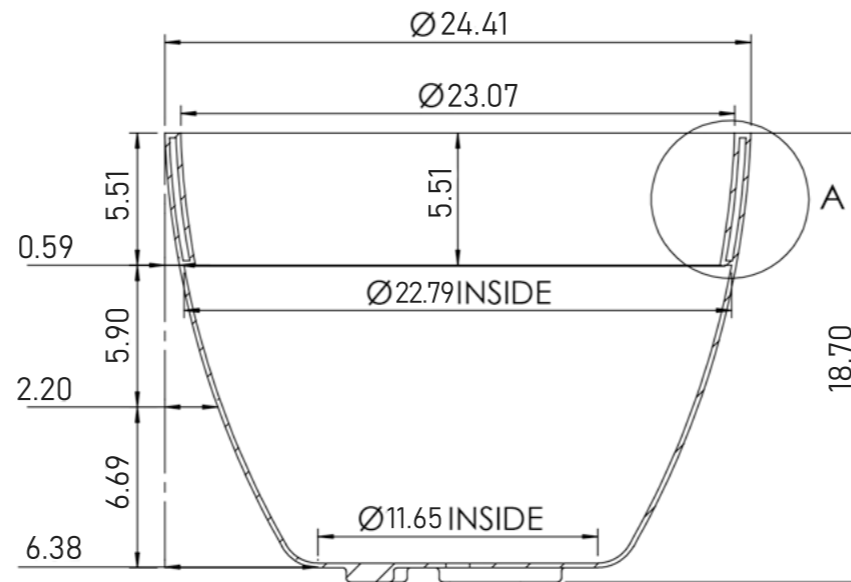
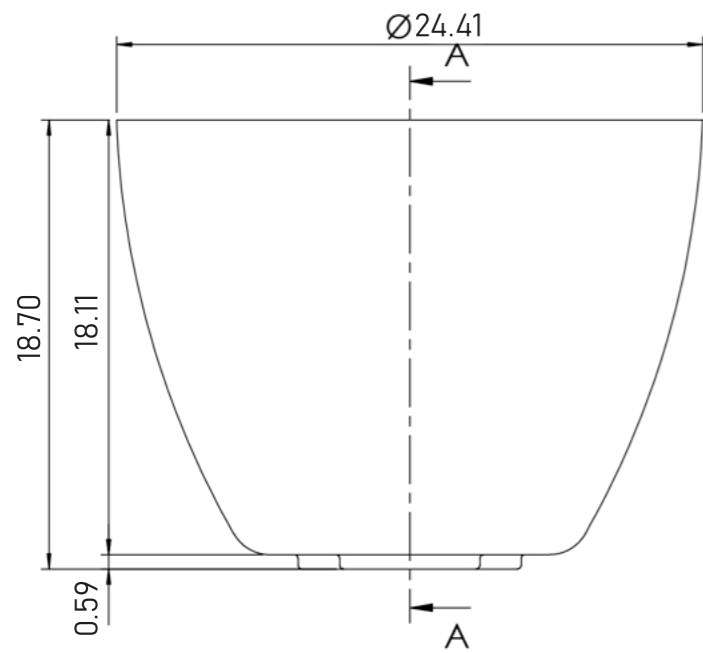
TOP



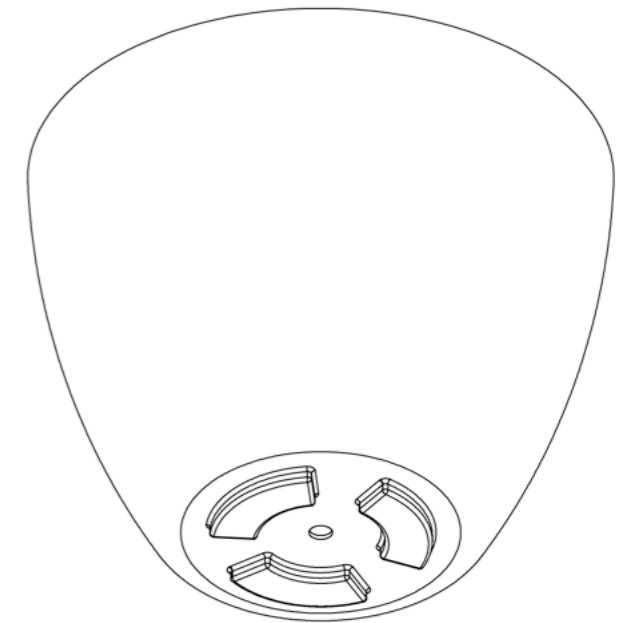
DETAIL A



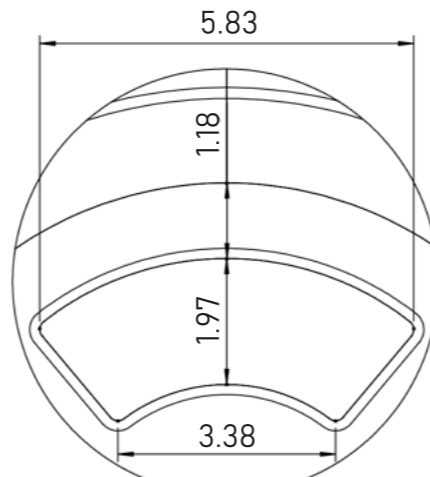
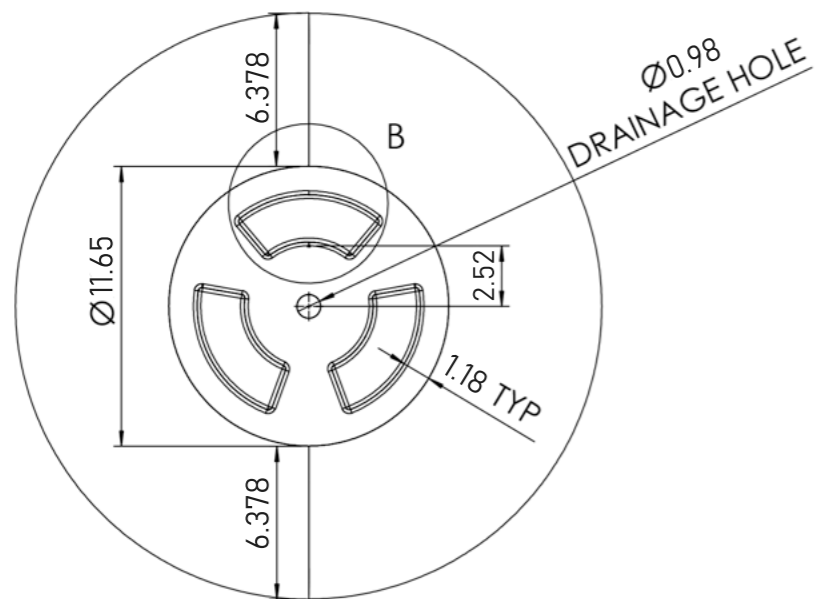
BODY



SECTION A-A



MOTOR



DETAIL B

SCALE : 1:9	WEIGHT: kg	REVISION : 0	NAME	SIGNATURE	DATE		
PROJECT: COSA POTS			DRAWN TOAN		19/09/2024		
DESCRIPTION: LUPO 62			CHECKED TOM			DIMENSION	
ITEM CODE:			CHECKED HUU TUAN			SYMBOL	UNIT
FIBERGLASS LAYER:			CHECKED			[NUMBER "]	INCH
PRIMER <input type="checkbox"/> TOPCOAT <input type="checkbox"/>			MFG APPR THU HANH			NUMBER	INCH
COLOR: TBD			MFG APPR UYEN HANH			MATERIAL: COMPOSITE	
						SHEET 1 OF 1	SIZE: A3