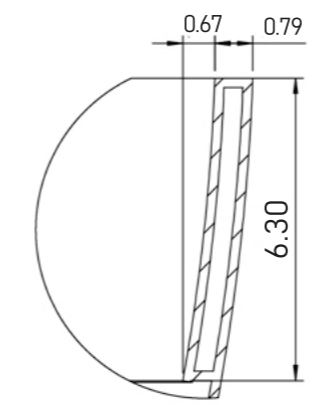
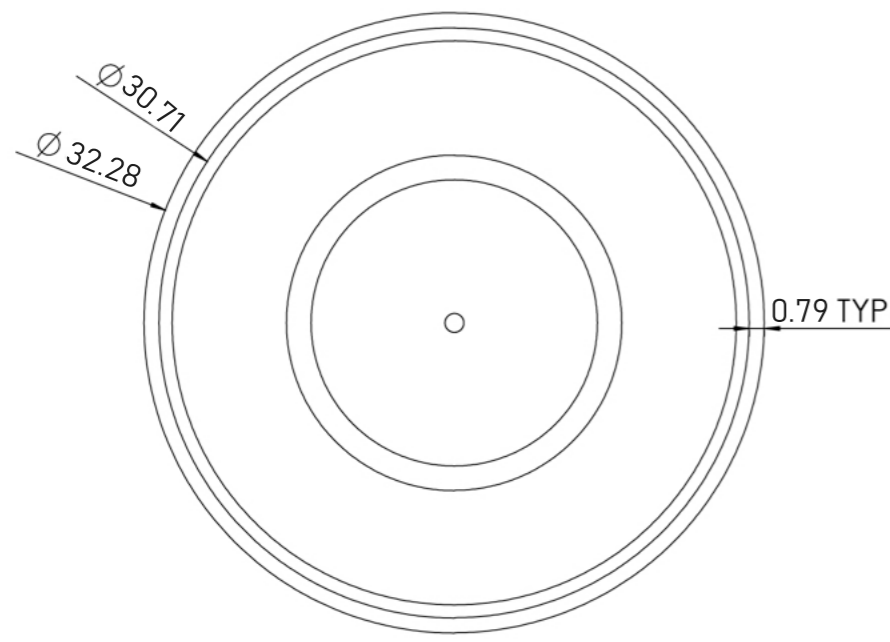
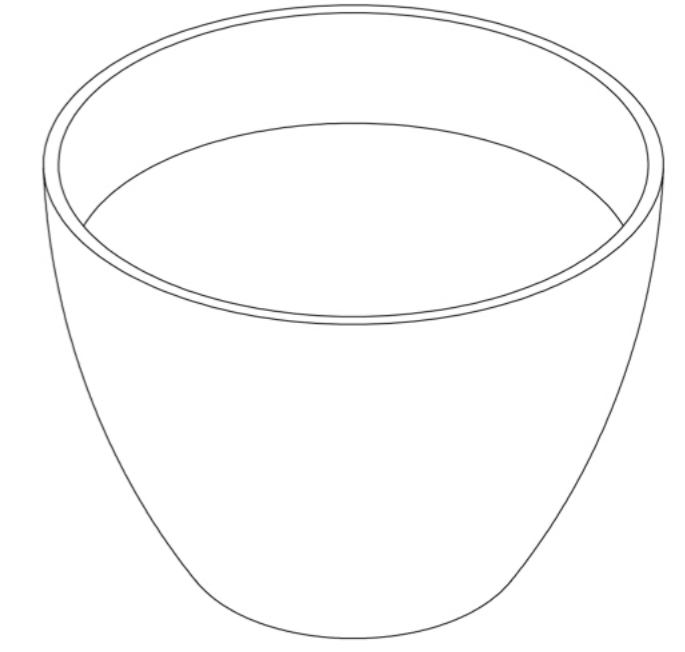


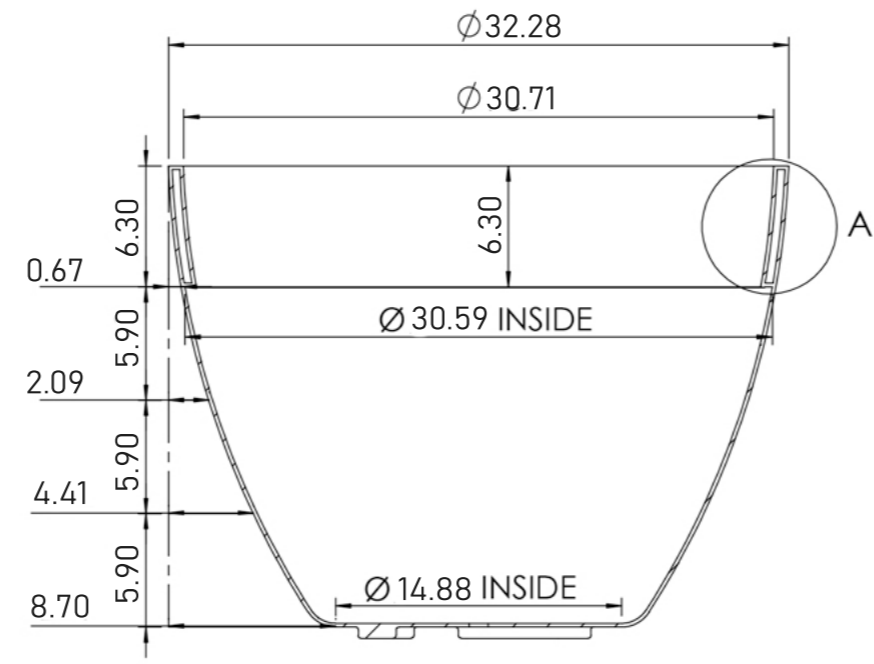
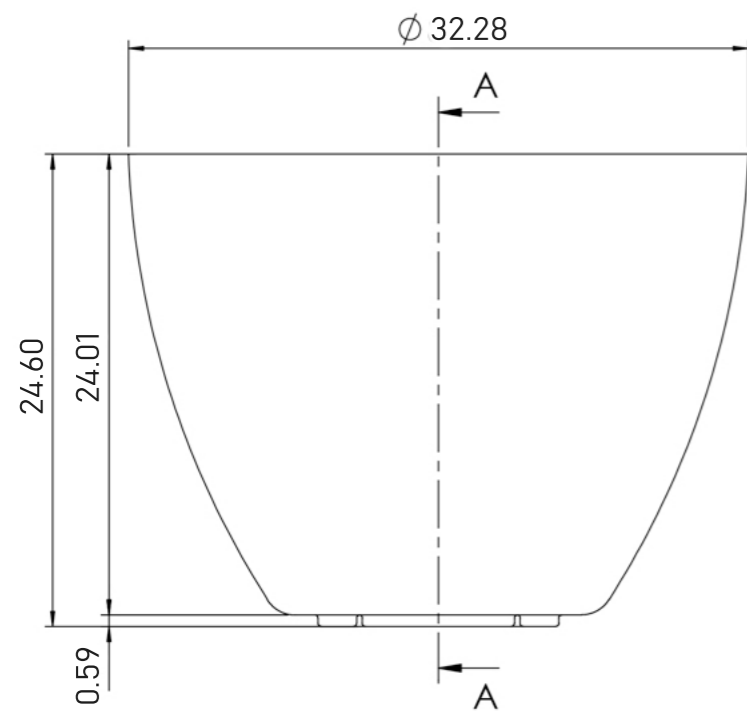
TOP



DETAIL A



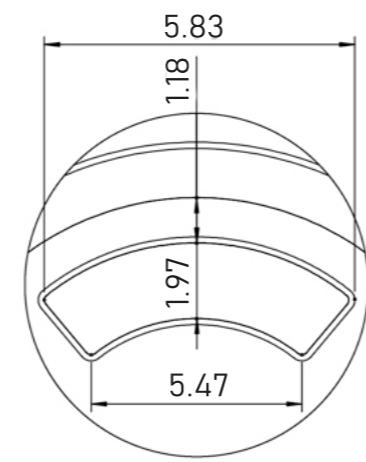
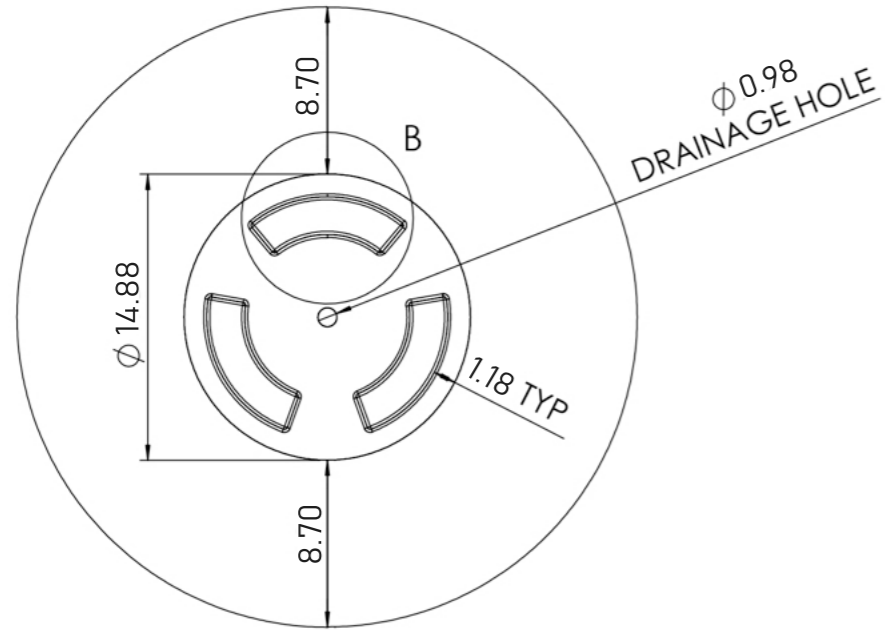
BODY



SECTION A-A



MOTTO



DETAIL B

SCALE : 1:10	WEIGHT: ..... kg	REVISION : 0	NAME	SIGNATURE	DATE	
PROJECT: COSA POTS			DRAWN TOAN		03-Jun-24	
DESCRIPTION: LUPO 82			CHECKED TOM			DIMENSION
ITEM CODE: LU.82			CHECKED HUU TUAN			SYMBOL
FIBERGLASS LAYER: .....			CHECKED			UNIT
PRIMER <input type="checkbox"/> TOPCOAT <input type="checkbox"/>			MFG APPR THU HANH			[ NUMBER " ]
COLOR: TBD			MFG APPR UYEN HANH			INCH
						NUMBER
						INCH
						MATERIAL: COMPOSITE
						SIZE: A3
						SHEET 1 OF 1