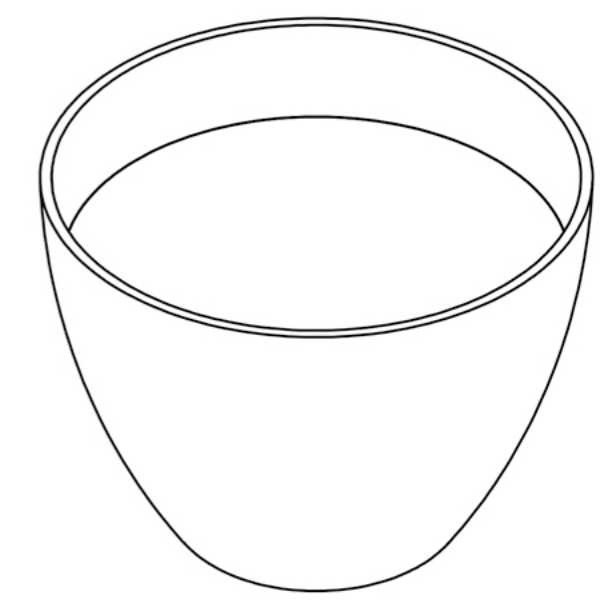
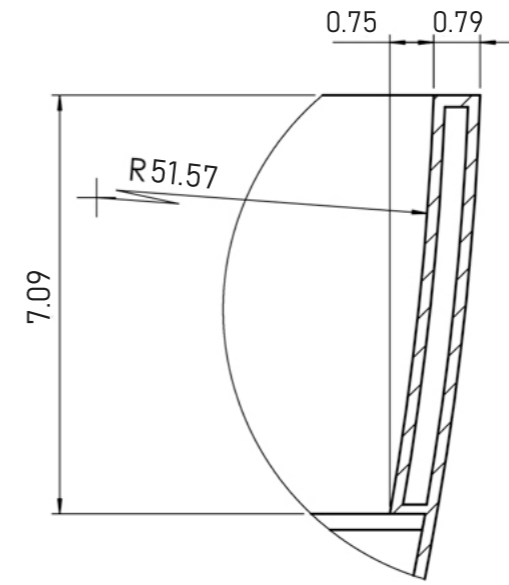
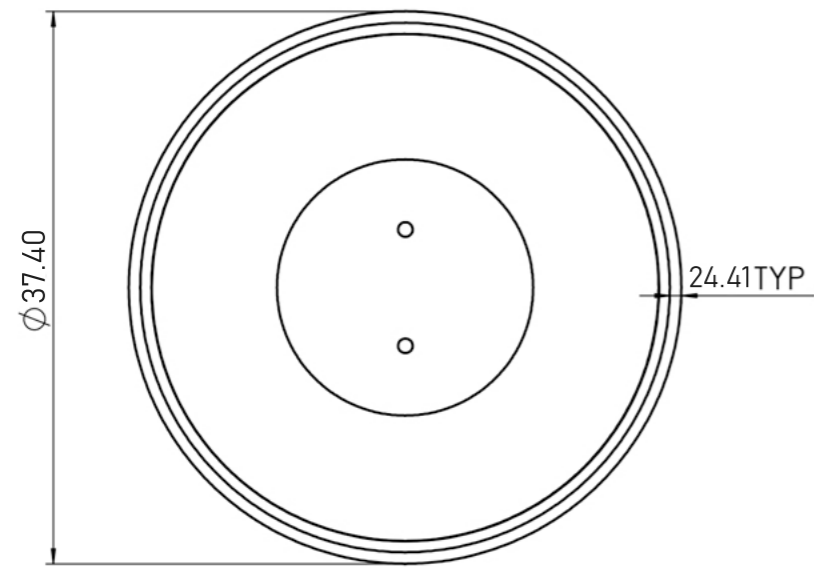
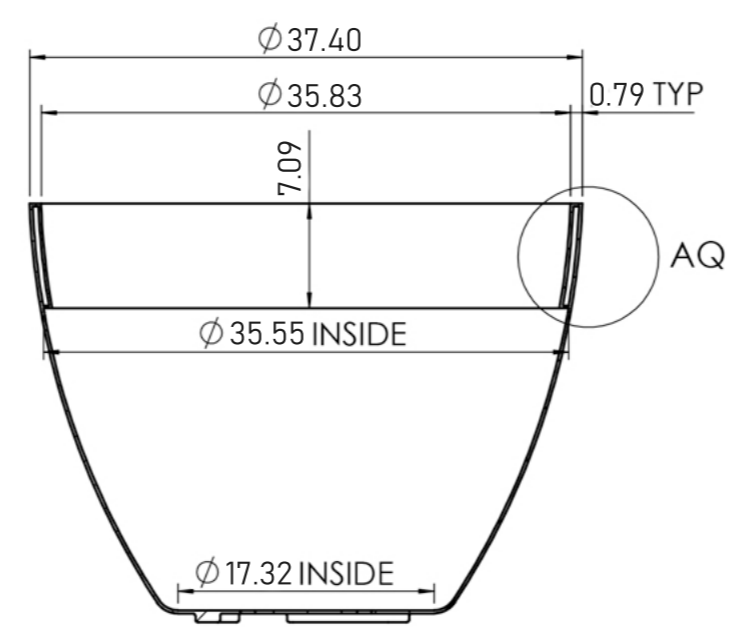
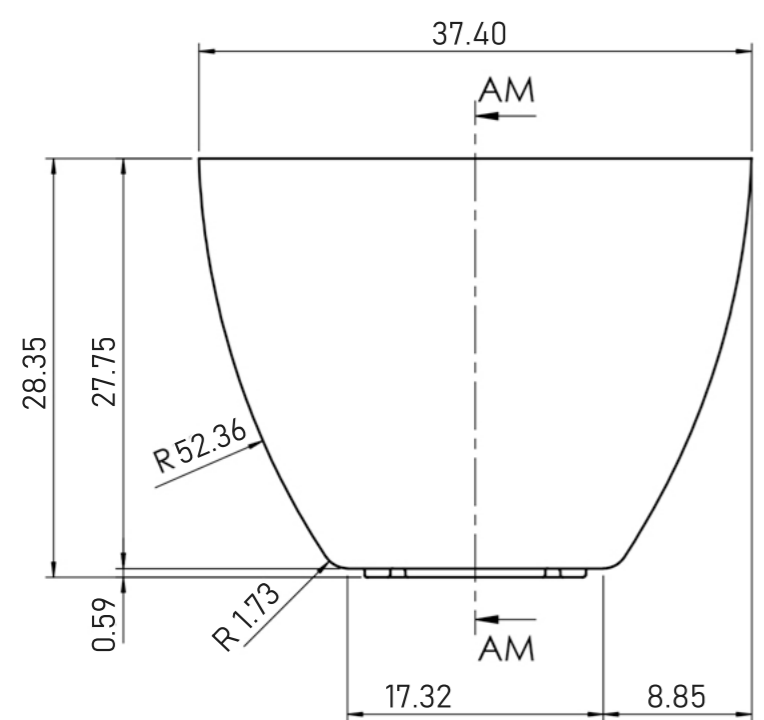


TOP

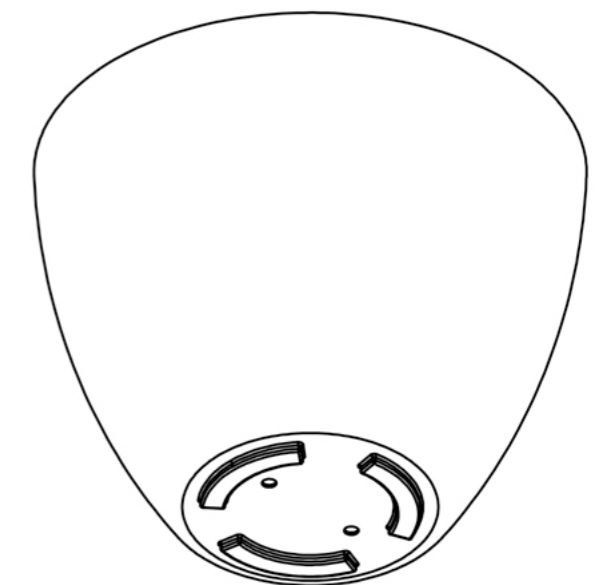


BODY

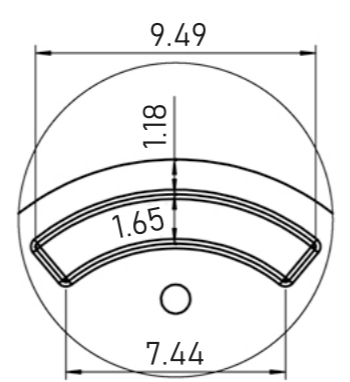
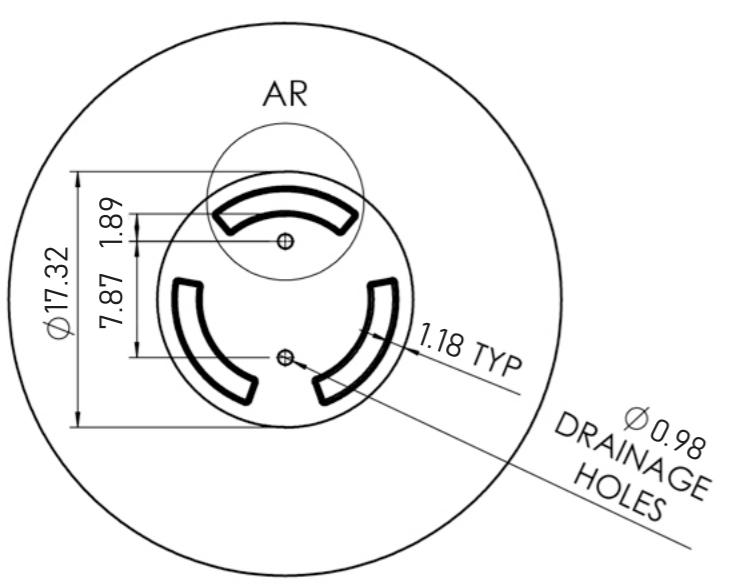


DETAIL AQ

SECTION AM-AM



BOTTOM



DETAIL AR

$\phi 0.98$ DRAINAGE HOLES

SCALE : 1:13	WEIGHT: kg	REVISION : 1	NAME	SIGNATURE	DATE		
PROJECT: COSA POTS			DRAWN: TOM		03-Jun-24		DIMENSION
DESCRIPTION: LUPO 95			CHECKED: TOAN			SYMBOL	UNIT
ITEM CODE: LU.95			CHECKED:			[NUMBER "]	INCH
FIBERGLASS LAYER:			CHECKED:			NUMBER	INCH
PRIMER <input type="checkbox"/> TOPCOAT <input type="checkbox"/>			MFG APPR: THU HANH			MATERIAL: COMPOSITE	
COLOR: TBD			MFG APPR: UYEN HANH			SHEET 1 OF 1	SIZE: A3