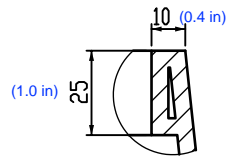
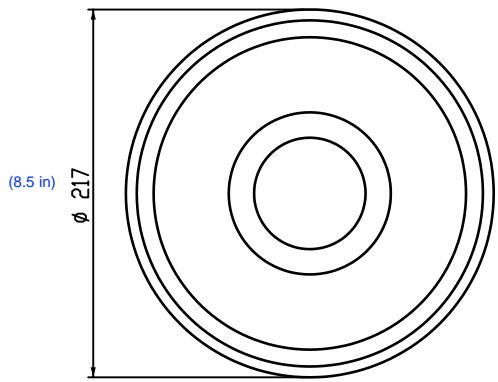
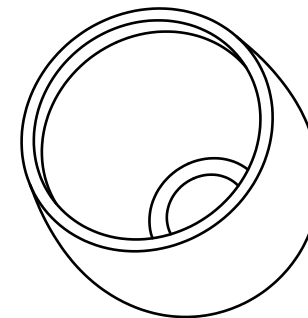


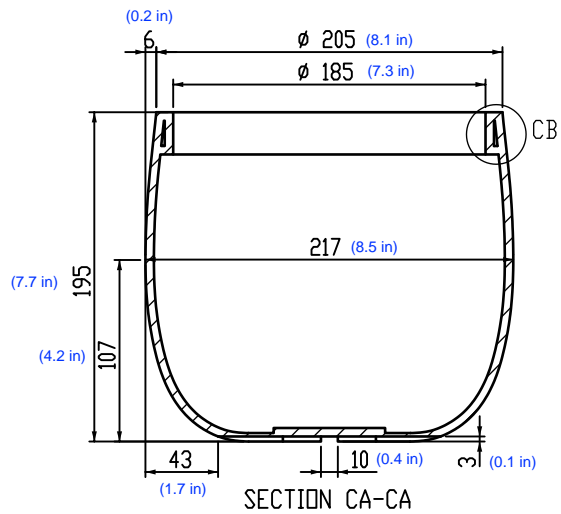
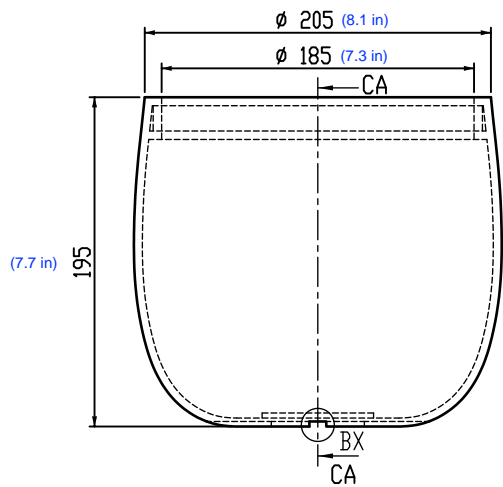
TOP



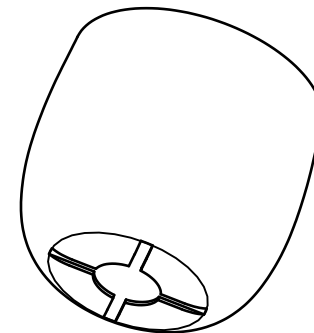
DETAIL CB



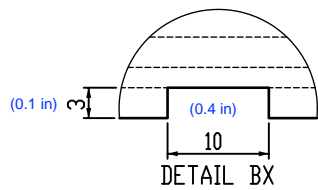
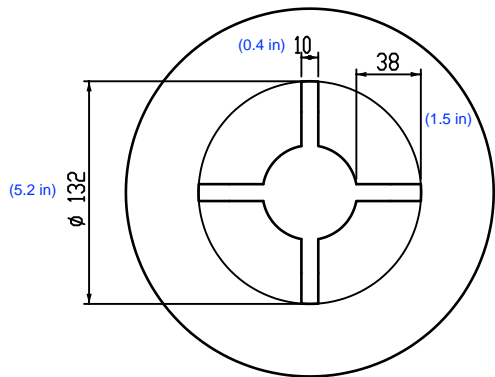
BODY



SECTION CA-CA



BOTTOM



DETAIL BX