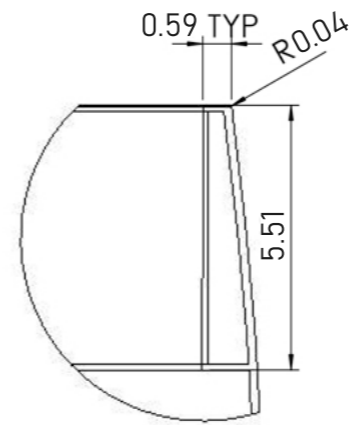
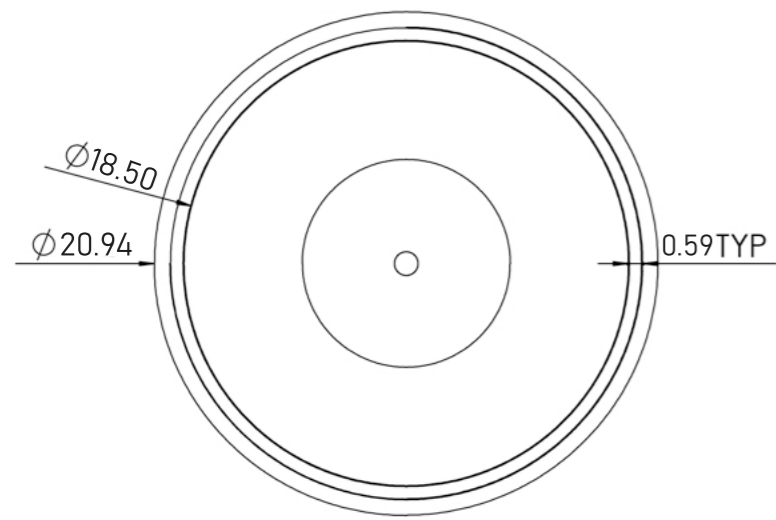
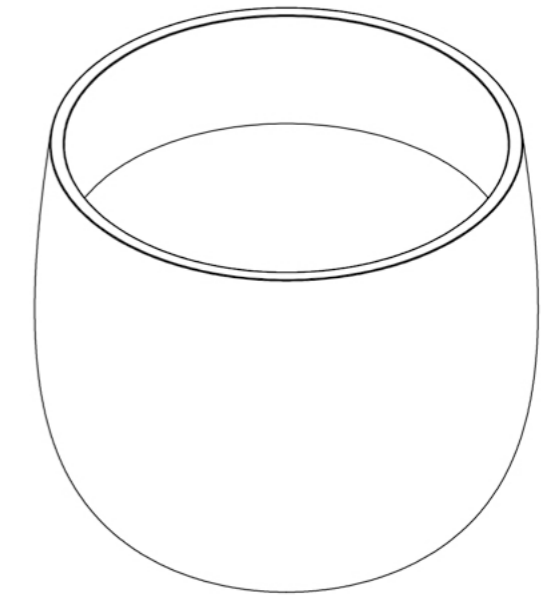


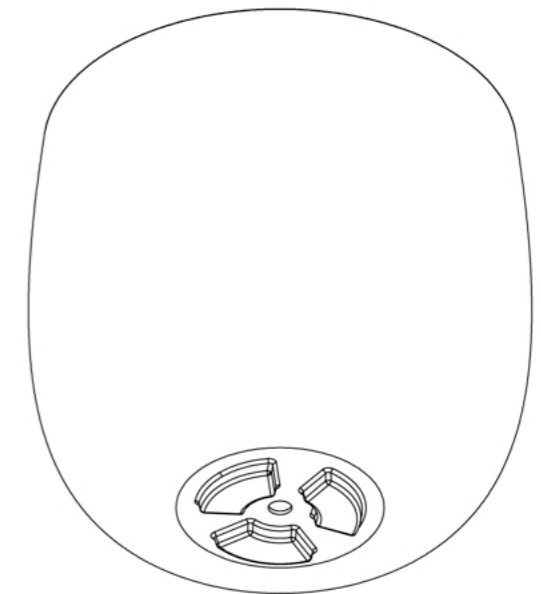
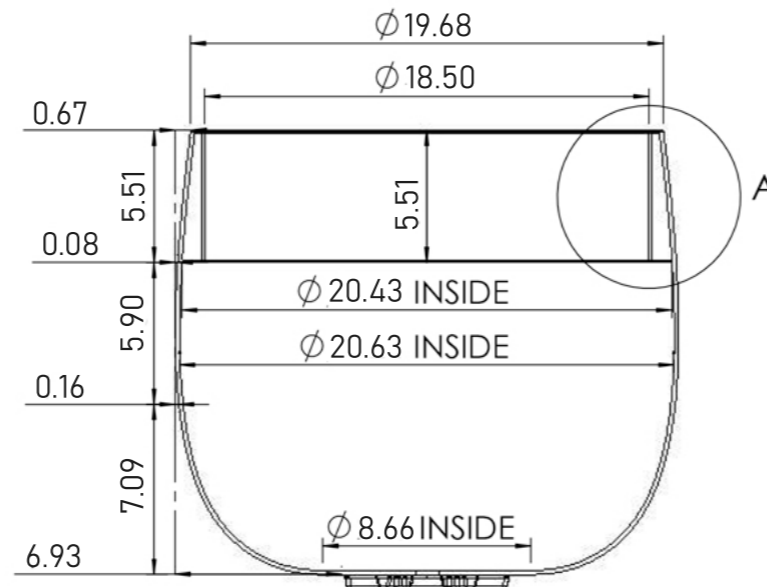
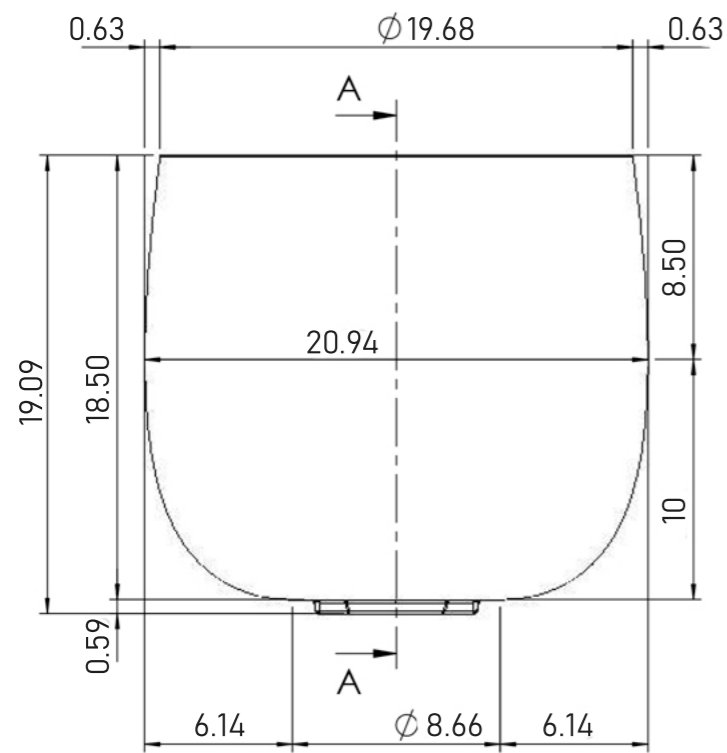
TOP



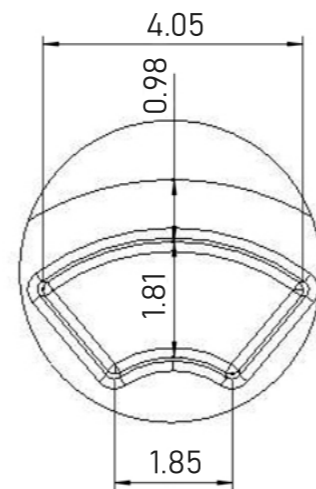
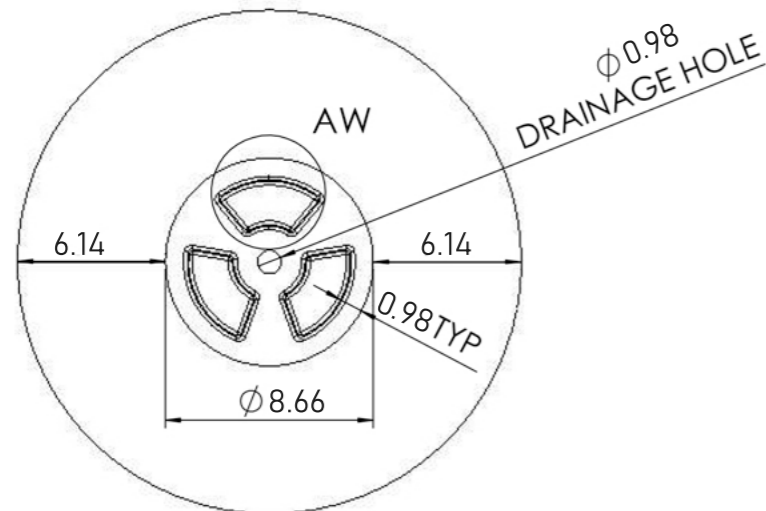
DETAIL A



BODY



BOTTOM



DETAIL AW

SCALE : 1:8	WEIGHT: kg	REVISION : 0	NAME	SIGNATURE	DATE		
PROJECT: COSA POTS			DRAWN: TOAN		11-Apr-24		
DESCRIPTION: MONDO 50			CHECKED: TOM			DIMENSION	
ITEM CODE: MO.50			CHECKED: HUU TUAN			SYMBOL	UNIT
FIBERGLASS LAYER:			CHECKED:			[NUMBER "]	INCH
PRIMER <input type="checkbox"/> TOPCOAT <input type="checkbox"/>			MFG APPR: THU HANH			NUMBER	INCH
COLOR: TBD			MFG APPR: UYEN HANH			MATERIAL: COMPOSITE	
SHEET 1 OF 1						SIZE: A3	