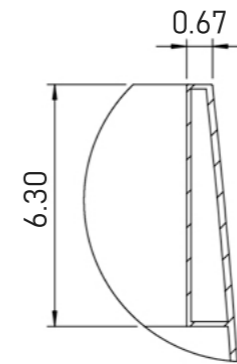
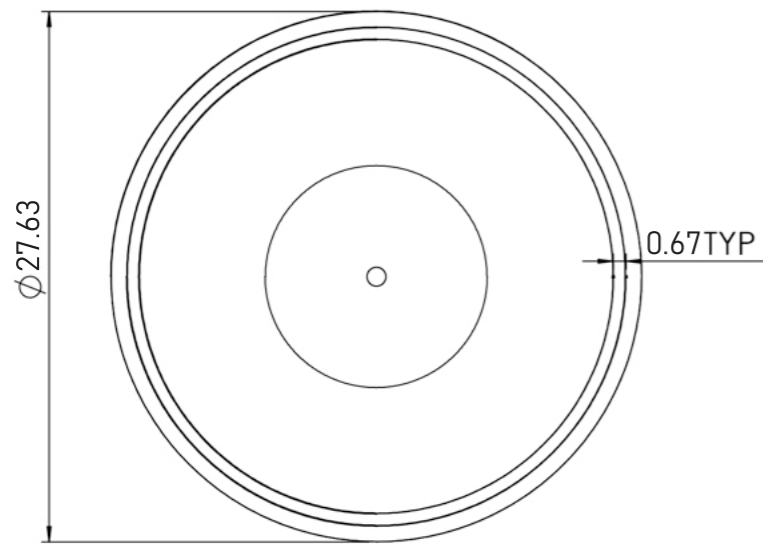
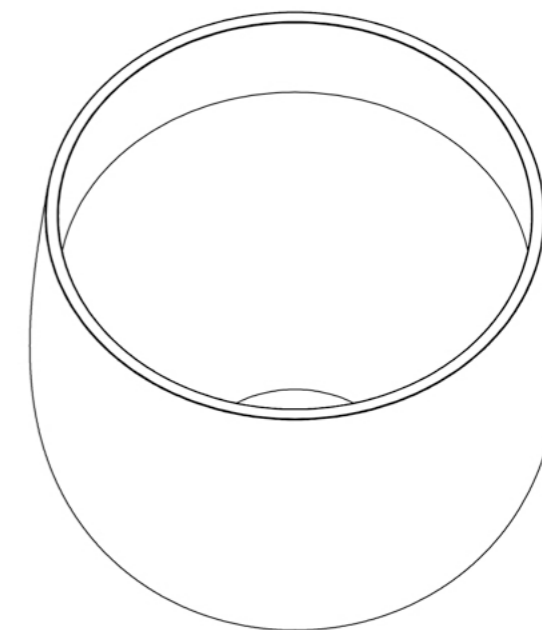


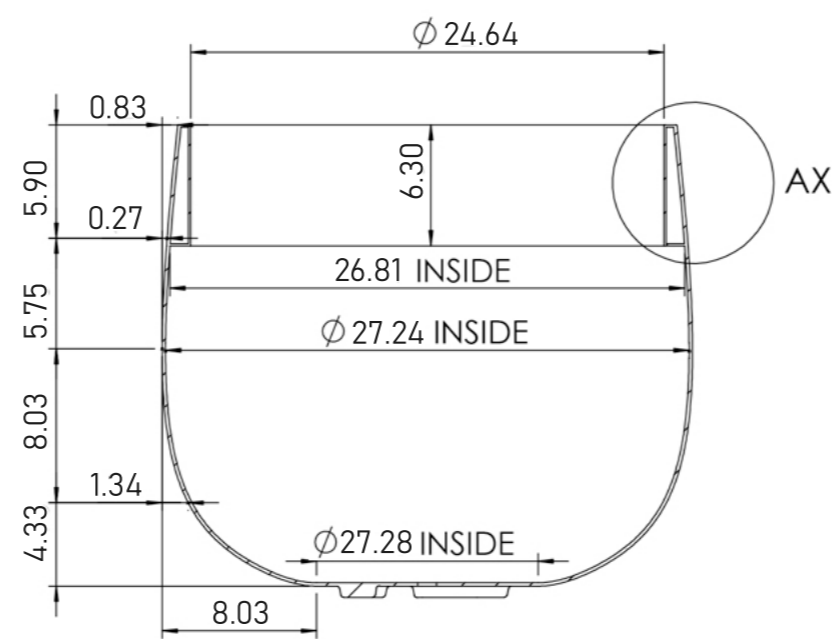
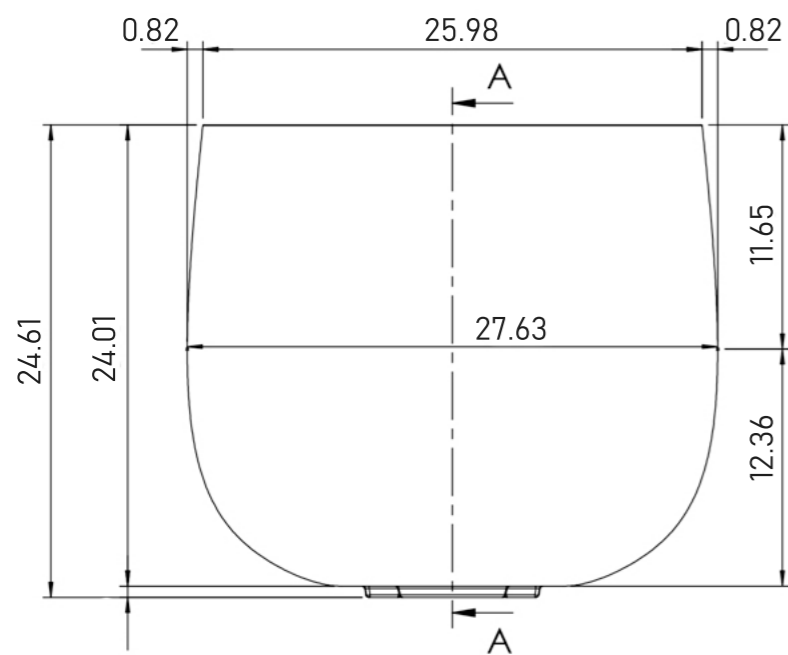
TOP



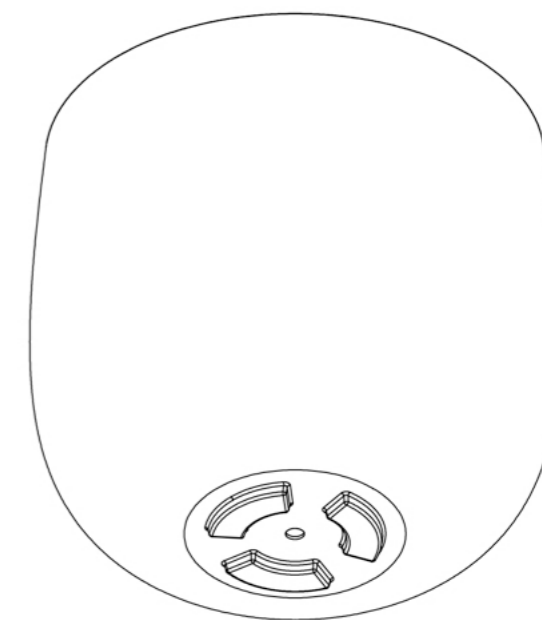
DETAIL AX



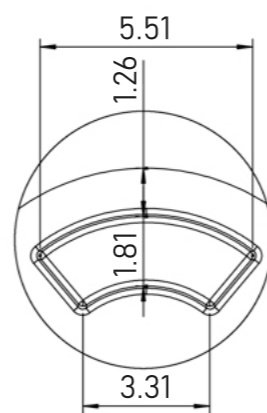
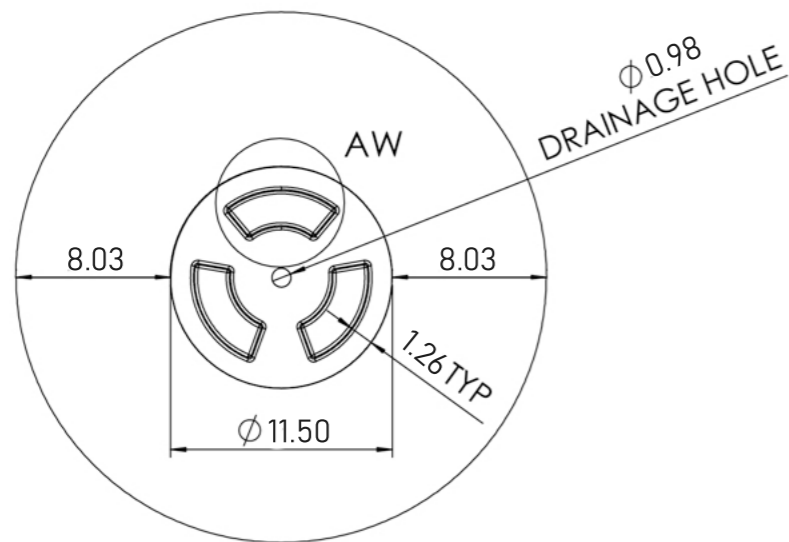
BODY



SECTION A-A



BOTTOM



DETAIL AW

SCALE : 1:10	WEIGHT: ..... kg	REVISION : 0	NAME	SIGNATURE	DATE		
PROJECT:	COSA POTS		DRAWN	TOAN	11-Apr-24		DIMENSION
DESCRIPTION:	MONDO 66		CHECKED	TOM		SYMBOL	UNIT
ITEM CODE:	MO.66		CHECKED	HUU TUAN		[ NUMBER " ]	INCH
FIBERGLASS LAYER:	.....		CHECKED			NUMBER	INCH
PRIMER <input type="checkbox"/>	TOPCOAT <input type="checkbox"/>	COLOR: TBD	MFG APPR	THU HANH		MATERIAL:	COMPOSITE
			MFG APPR	UYEN HANH		SHEET 1 OF 1	SIZE: A3