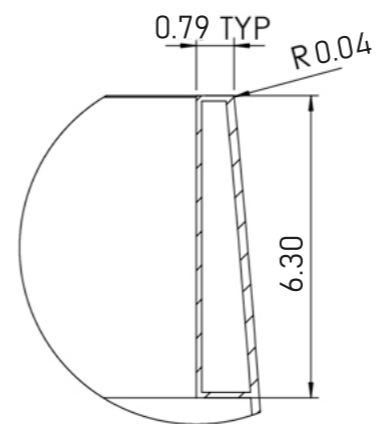
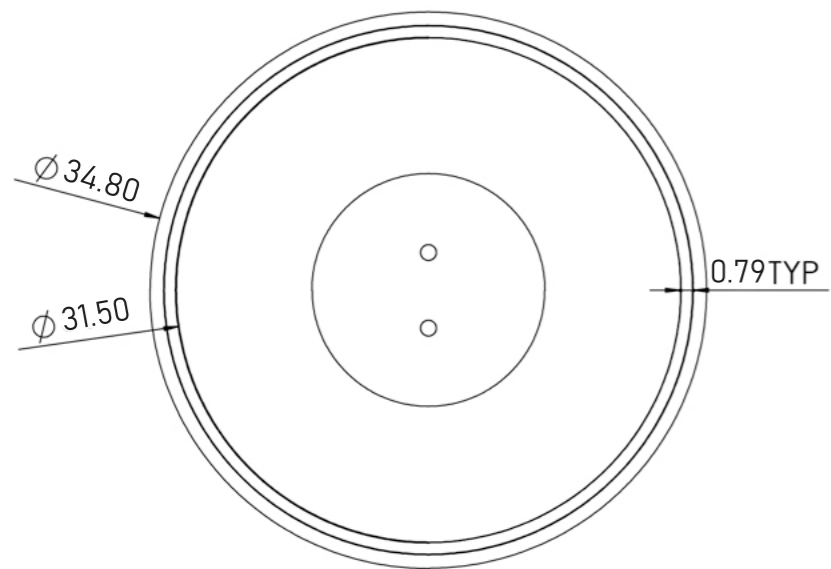
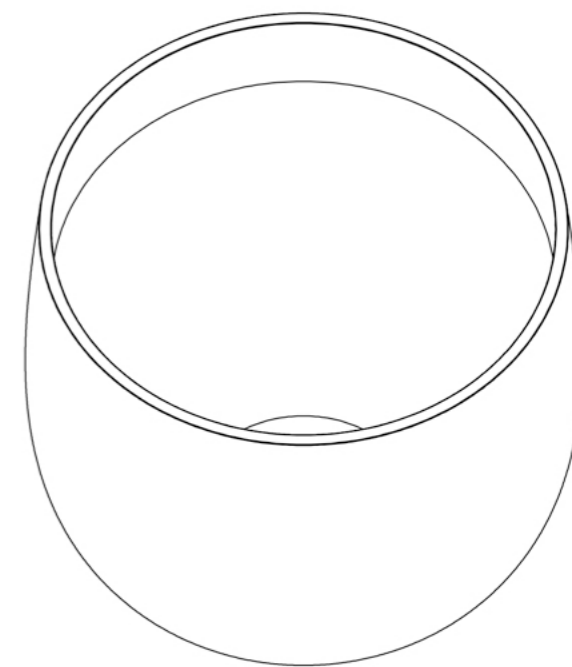


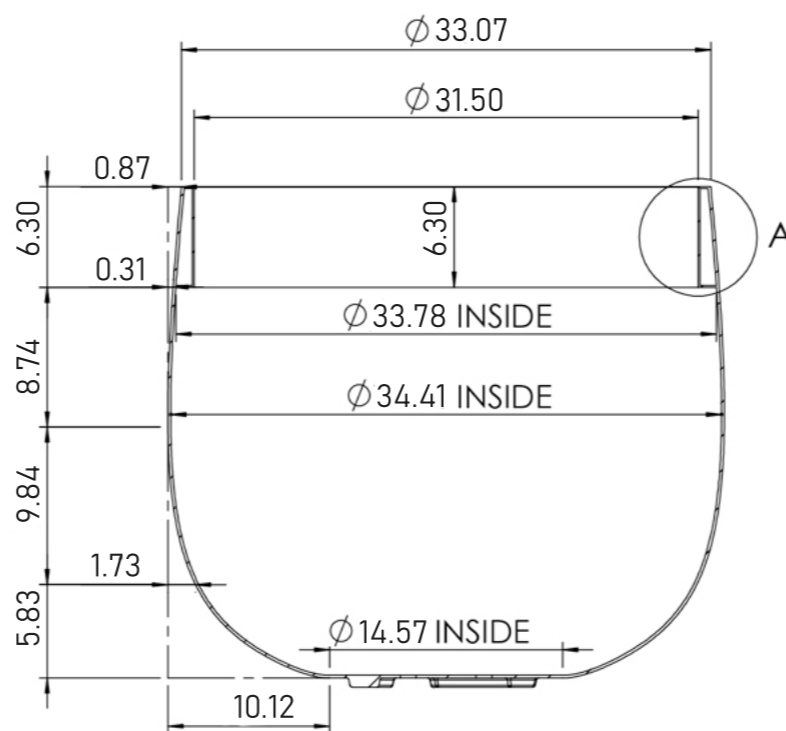
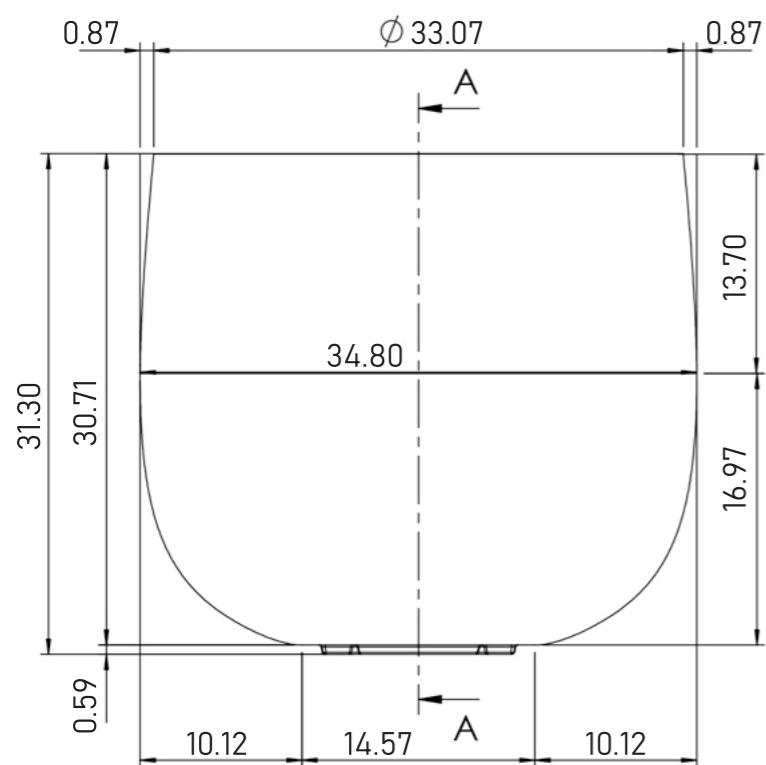
TOP



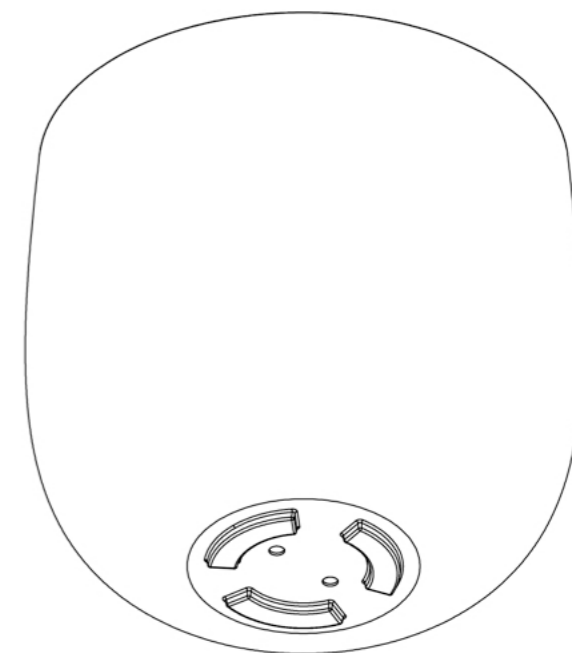
DETAIL A



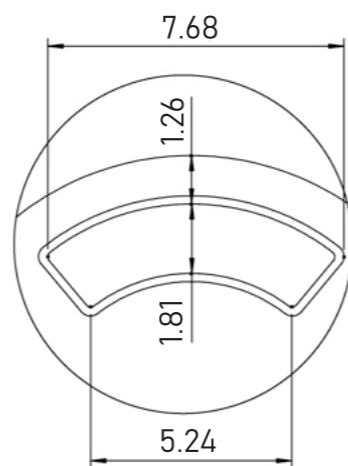
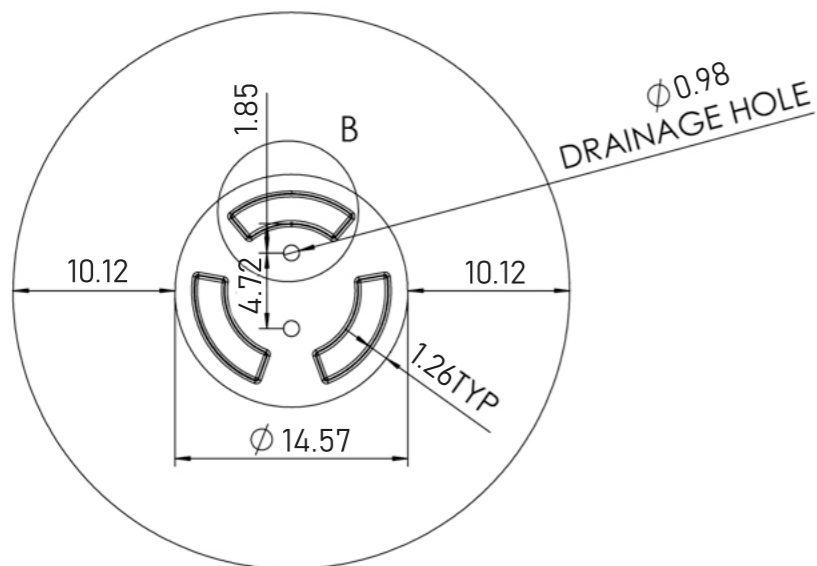
BODY



SECTION A-A



MOTTOM



DETAIL B

SCALE: 1:12	WEIGHT: ..... kg	REVISION: 0	NAME	SIGNATURE	DATE	
PROJECT: COSA POTS	DRAWN: TOAN				11-Apr-24	
DESCRIPTION: MONDO 84	CHECKED: TOM					DIMENSION
ITEM CODE: MO.84	CHECKED: HUU TUAN					SYMBOL
FIBERGLASS LAYER: .....	CHECKED:					UNIT
PRIMER <input type="checkbox"/> TOPCOAT <input type="checkbox"/>	COLOR: TBD					[ NUMBER " ]
	MFG APPR: THU HANH					INCH
	MFG APPR: UYEN HANH					NUMBER
						INCH
						MATERIAL: COMPOSITE
						SHEET 1 OF 1
						SIZE: A3