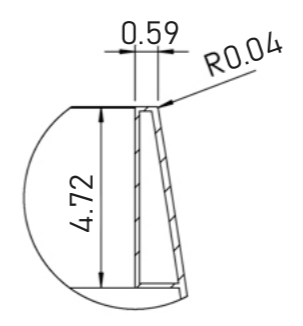
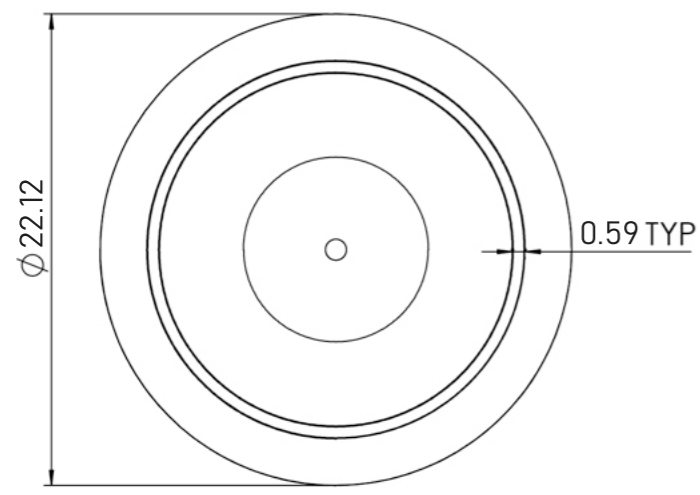
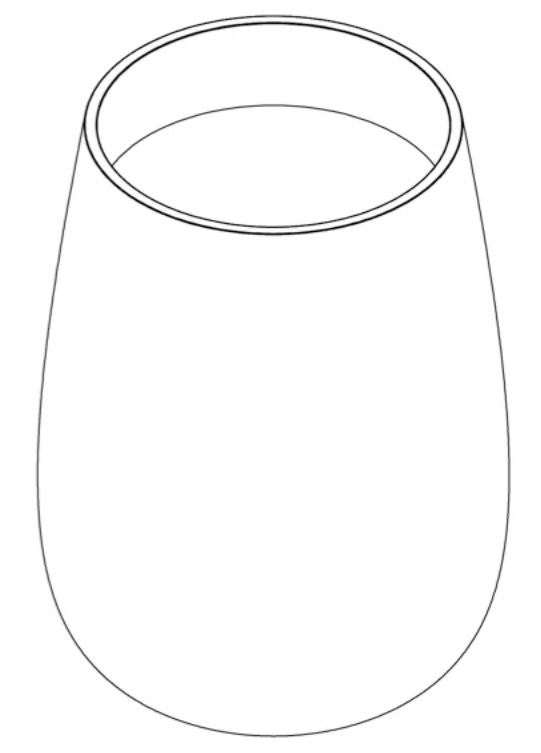


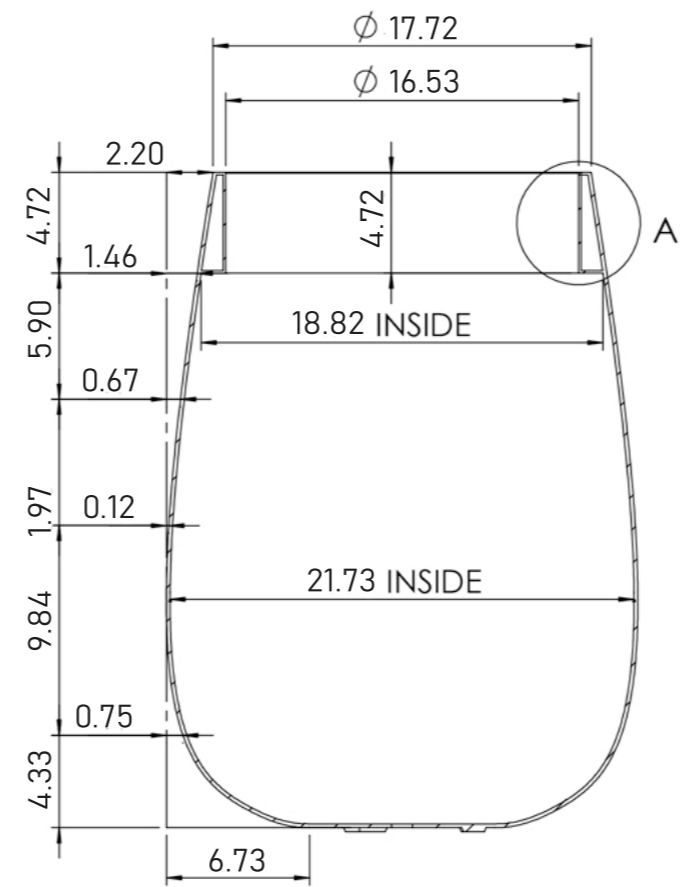
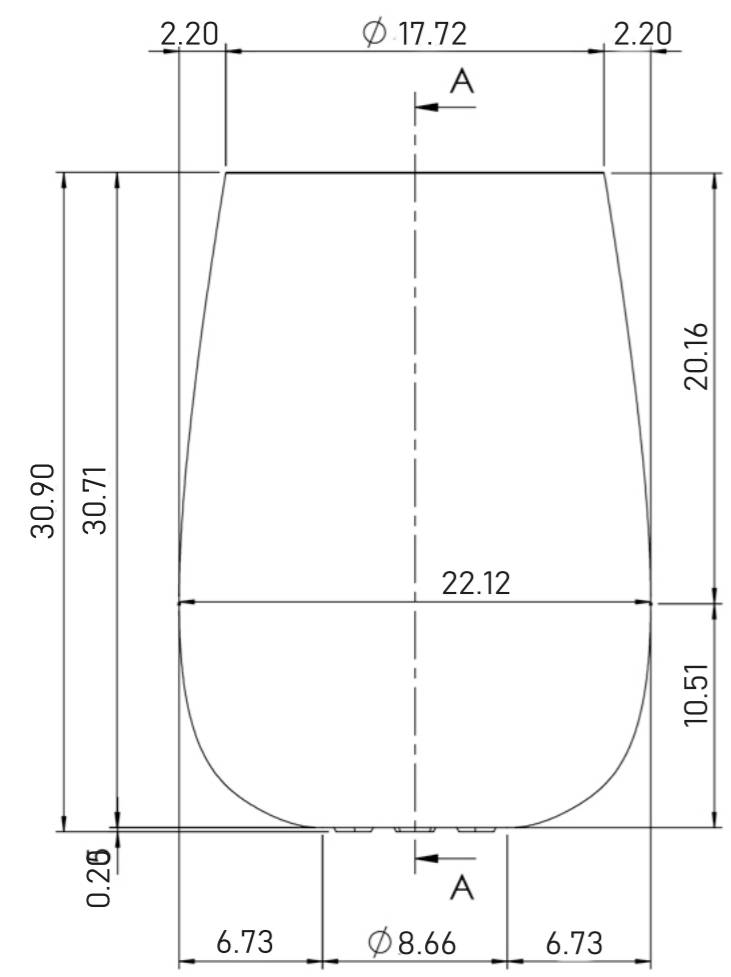
TOP



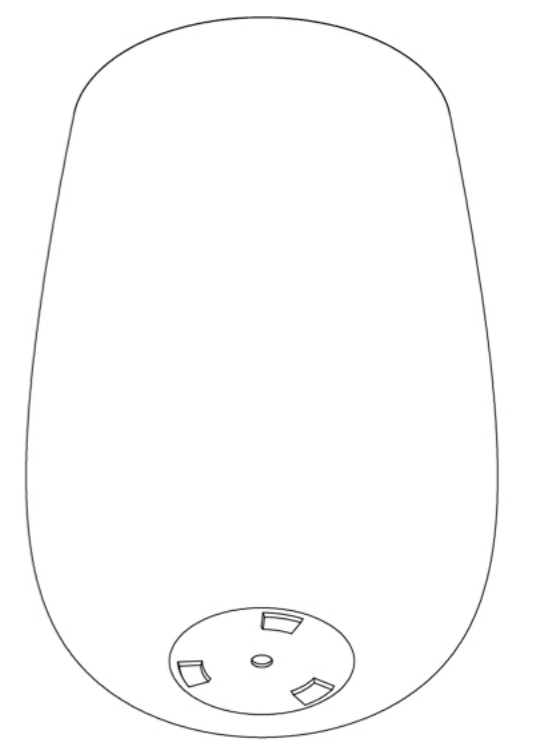
DETAIL A



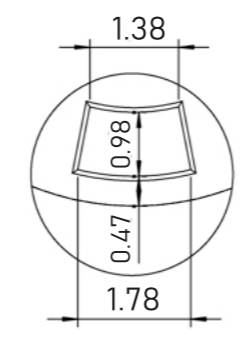
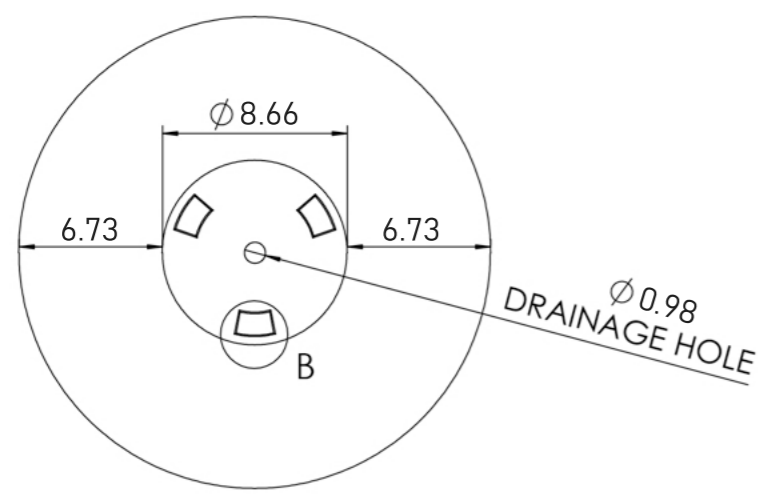
BODY



SECTION A-A



BOTTOM



DETAIL B

SCALE: 1:9	WEIGHT: kg	REVISION: 1	NAME	SIGNATURE	DATE		
PROJECT: COSA POTS			DRAWN: TOAN		11-Apr-24		
DESCRIPTION: MONDO HIGH 45			CHECKED: TOM			DIMENSION	
ITEM CODE: MOh. 45			CHECKED: HUU TUAN			SYMBOL	UNIT
FIBERGLASS LAYER:			CHECKED:			[NUMBER "]	INCH
PRIMER <input type="checkbox"/> TOPCOAT <input type="checkbox"/>			MFG APPR: THU HANHH			NUMBER	INCH
COLOR: TBD			MFG APPR: UYEN HANH			MATERIAL: COMPOSITE	
SHEET 1 OF 1						SIZE: A3	