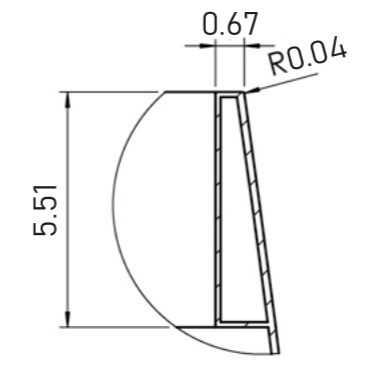
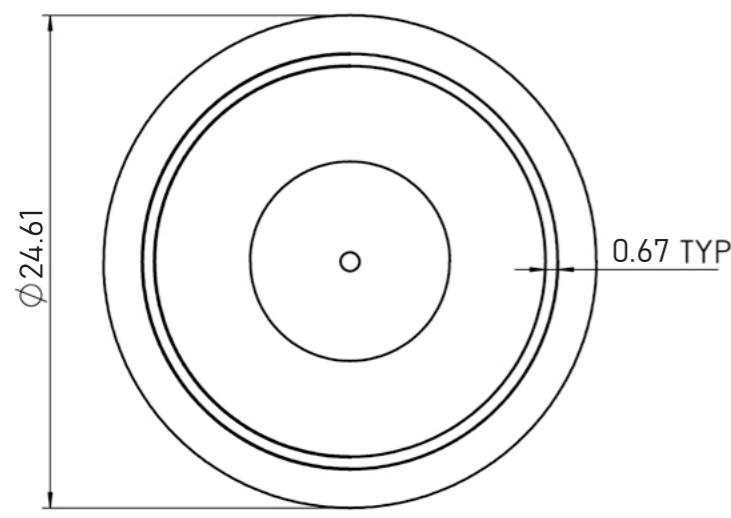
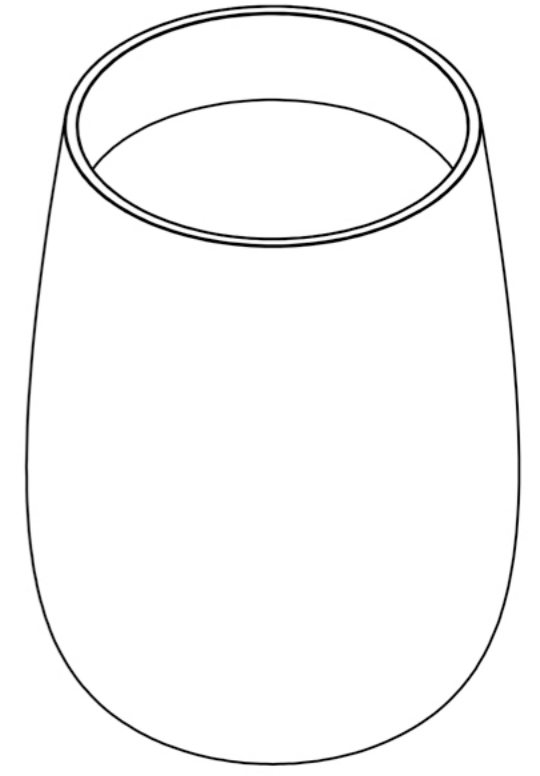


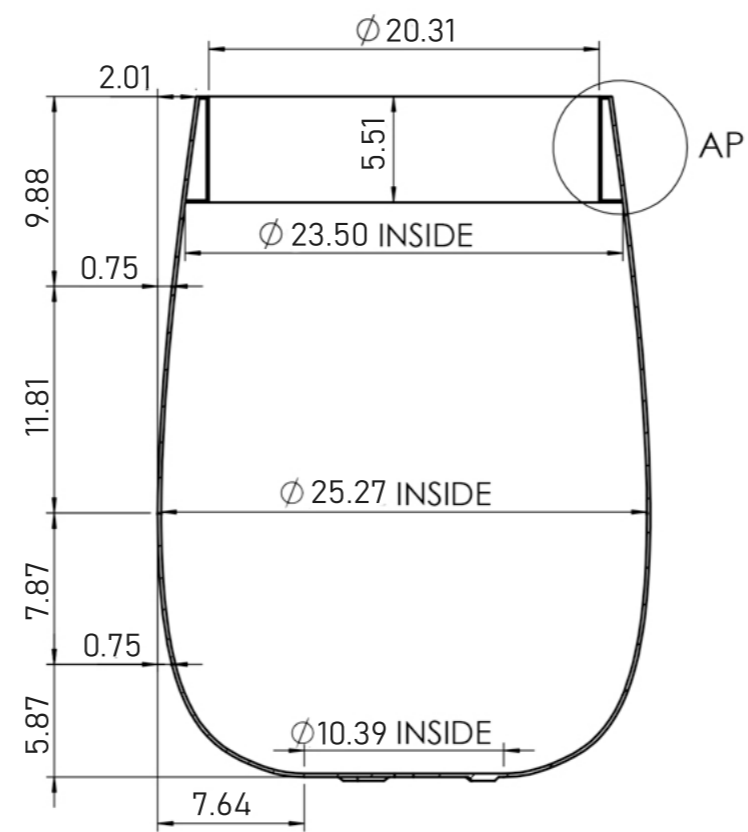
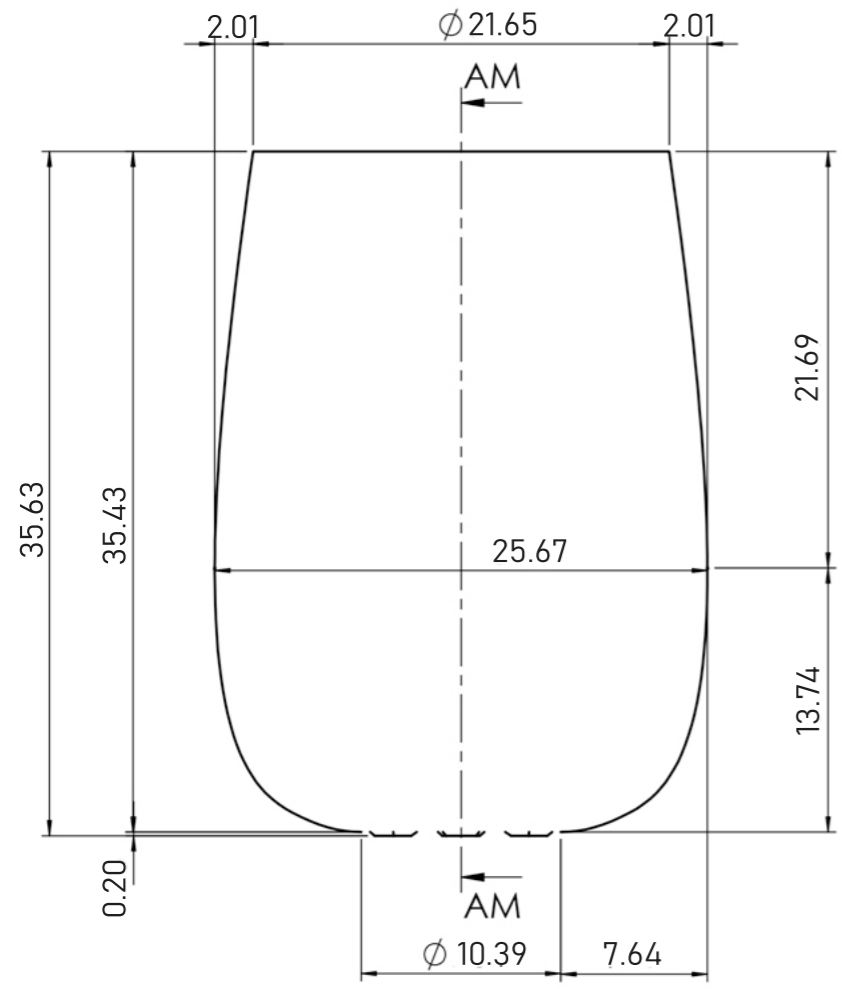
TOP



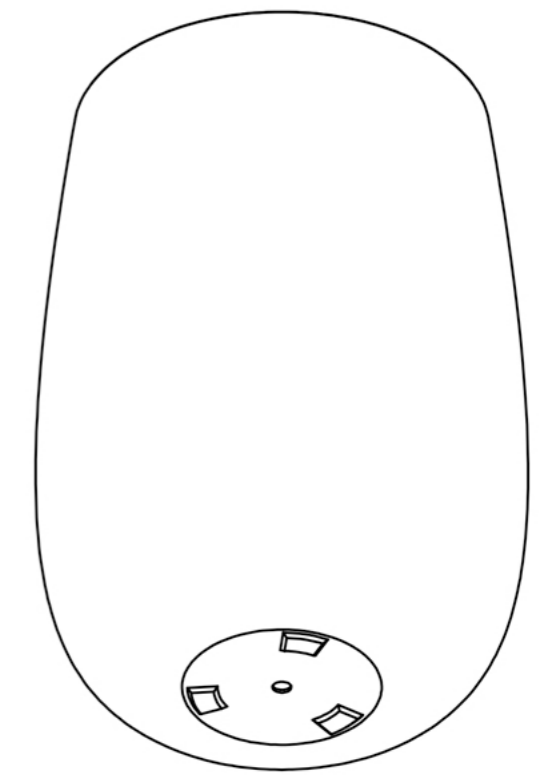
DETAIL AP



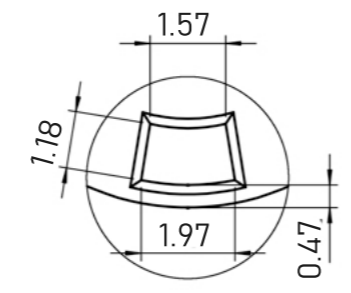
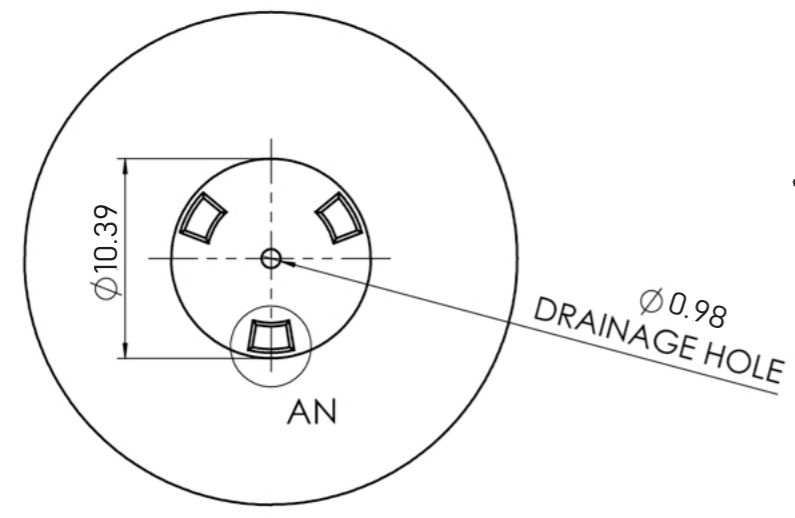
BODY



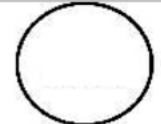
SECTION AM-AM



BOTTOM



DETAIL AN

SCALE : 1:10	WEIGHT: kg	REVISION : 0	NAME	SIGNATURE	DATE	 <p>DIMENSION</p> <p>SYMBOL UNIT</p> <p>[NUMBER "] INCH</p> <p>NUMBER INCH</p> <p>MATERIAL: COMPOSITE</p> <p>SHEET 1 OF 1 SIZE: A3</p>
PROJECT: COSA POTS			DRAWN	TOM	11-Apr-24	
DESCRIPTION: MONDO HIGH 55			CHECKED	TOAN		
ITEM CODE: Moh. 55			CHECKED			
FIBERGLASS LAYER: 			MFG APPR	THU HANH		
PRIMER <input type="checkbox"/> TOPCOAT <input type="checkbox"/> COLOR: TBD			MFG APPR	UYEN HANH		