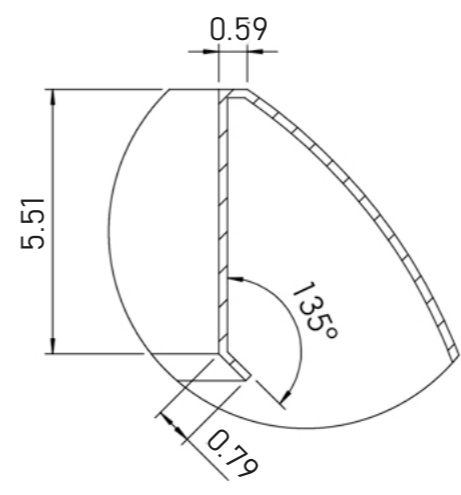
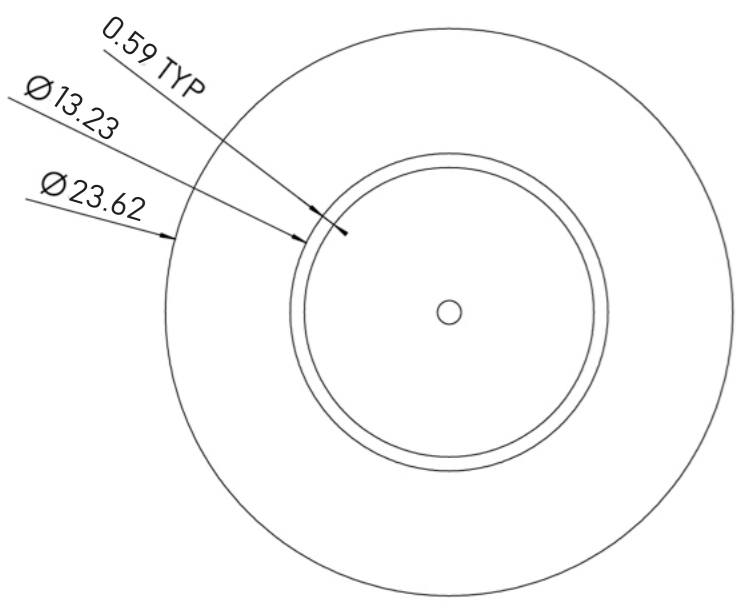
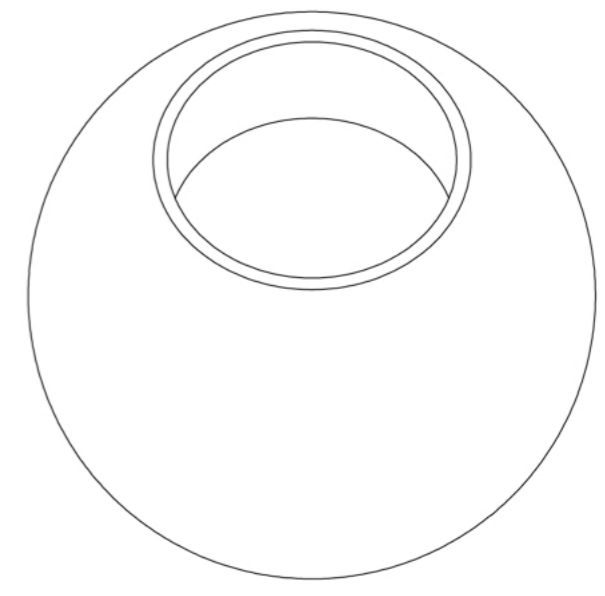


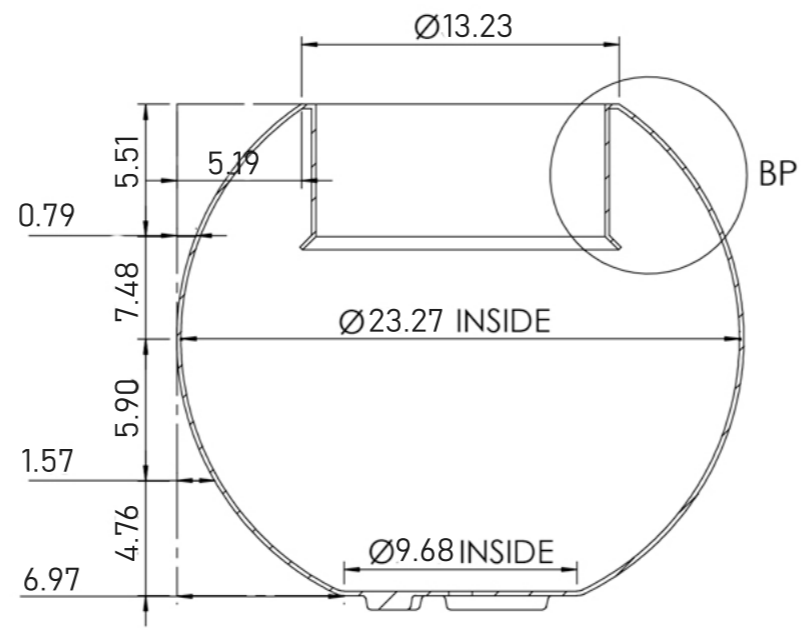
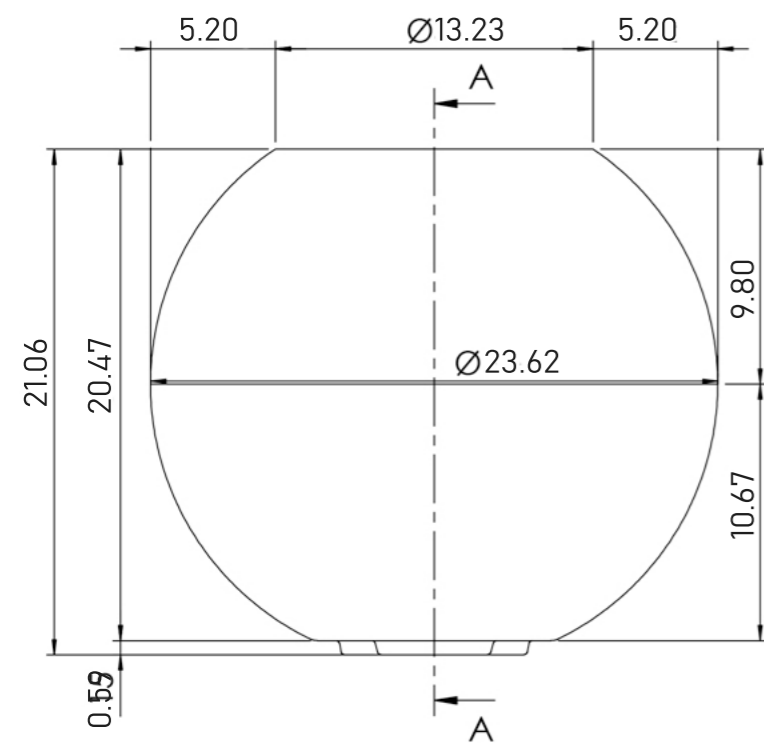
TOP



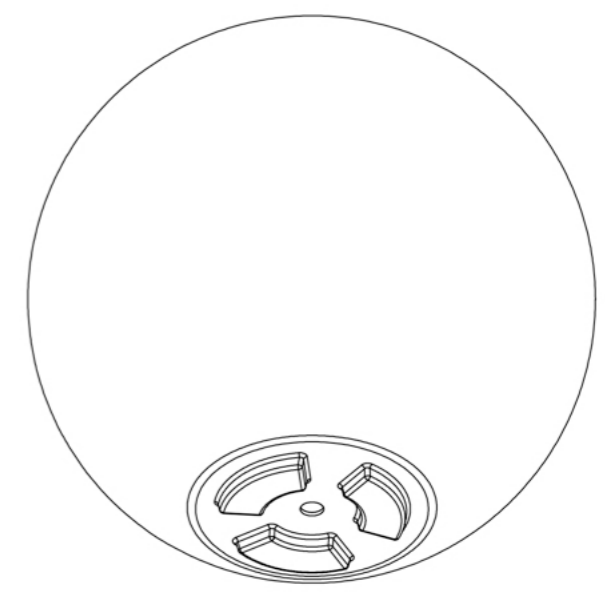
DETAIL BP



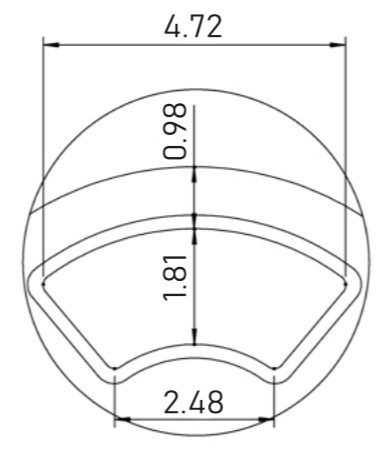
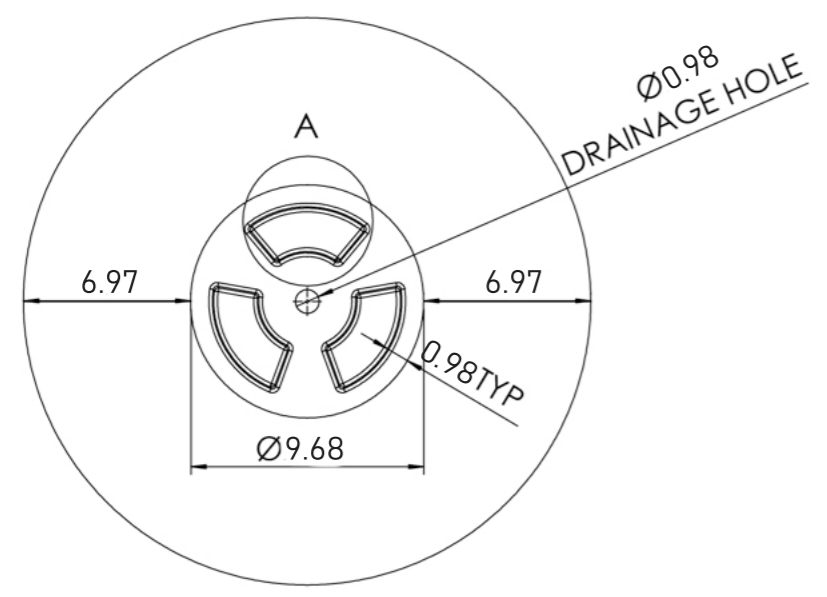
BODY



SECTION A-A



BOTTOM



DETAIL A

SCALE : 1:8	WEIGHT: kg	REVISION : 0	NAME	SIGNATURE	DATE		
PROJECT: COSA POTS			DRAWN	TOAN	19/09/2024		
DESCRIPTION: ORBO 60			CHECKED	TOM		DIMENSION	
ITEM CODE: OR.60			CHECKED	HUU TUAN		SYMBOL	UNIT
FIBERGLASS LAYER:			CHECKED			[NUMBER "]	INCH
PRIMER <input type="checkbox"/> TOPCOAT <input type="checkbox"/>			MFG APPR	THU HANH		NUMBER	INCH
COLOR: TBD			MFG APPR	UYEN HANH		MATERIAL: COMPOSITE	
						SHEET 1 OF 1	SIZE: A3