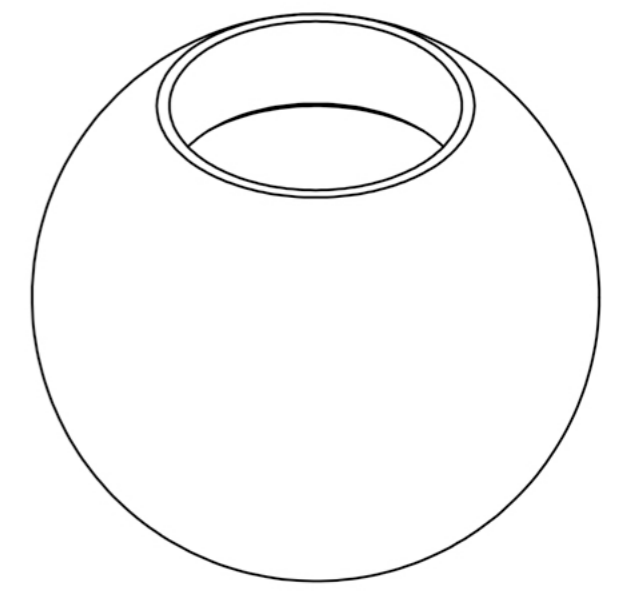
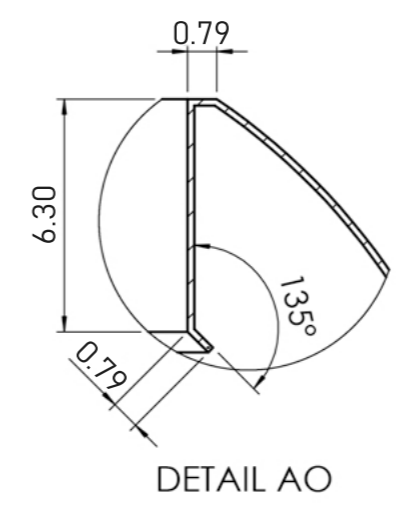
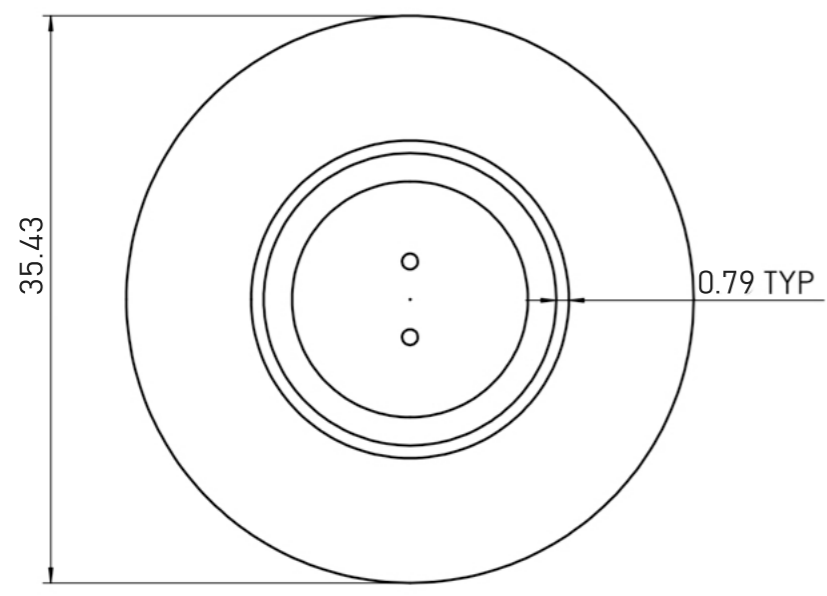
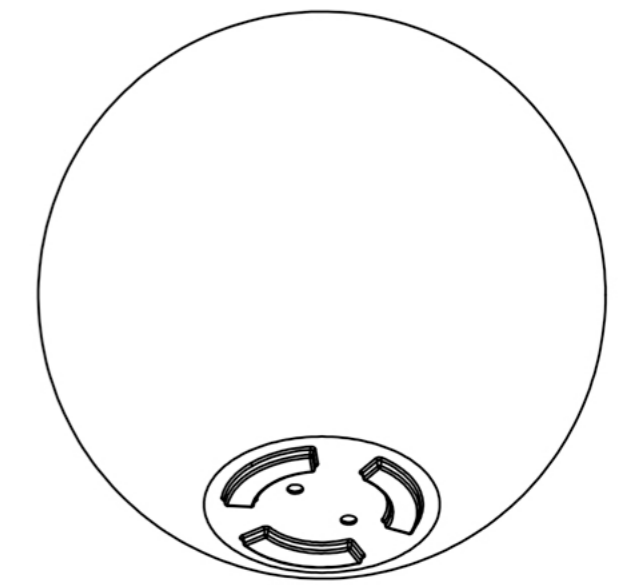
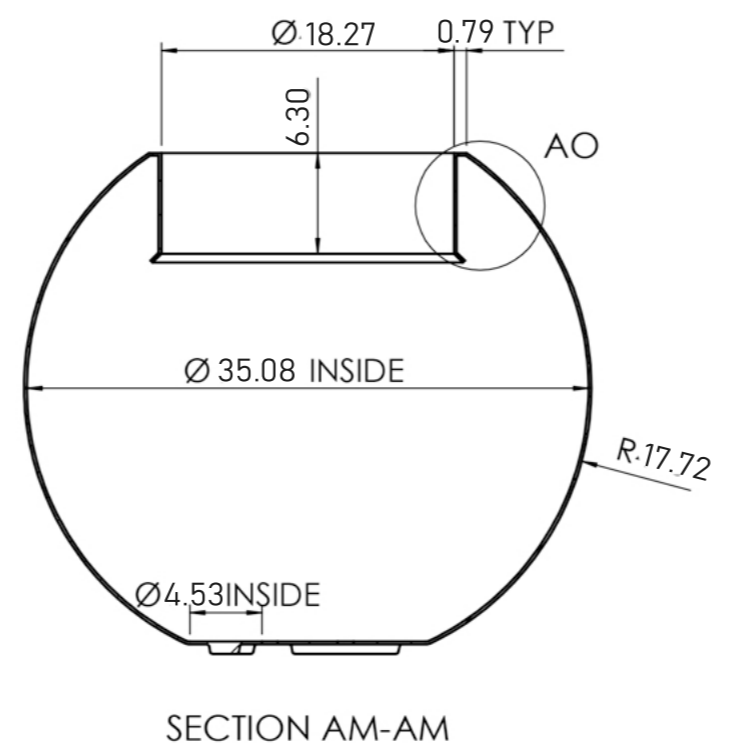
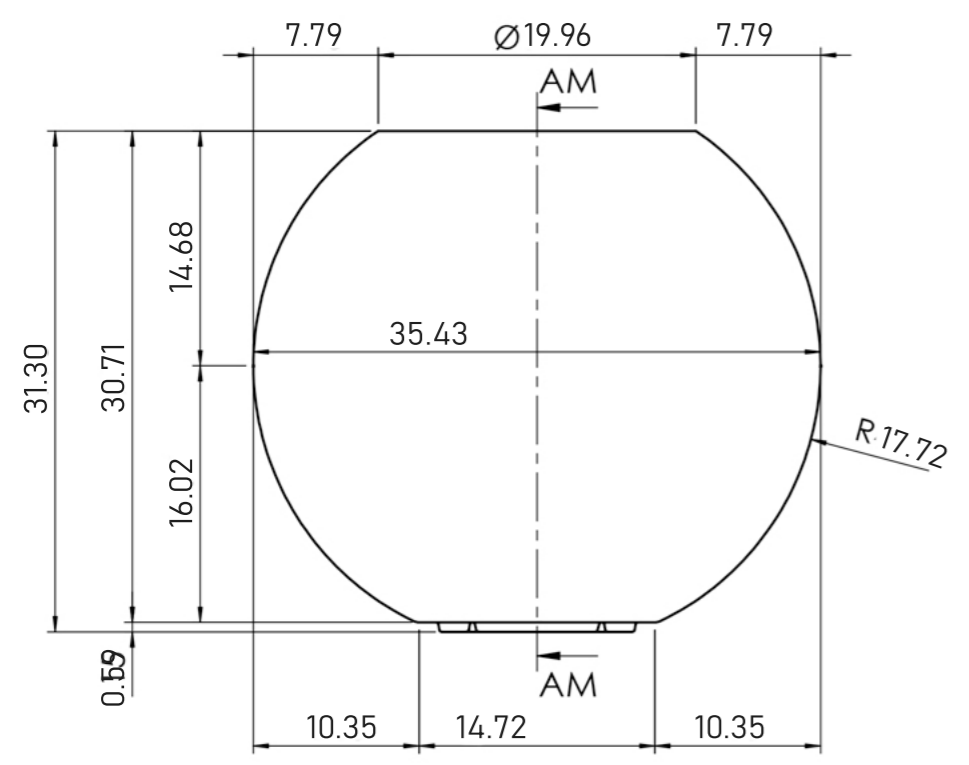


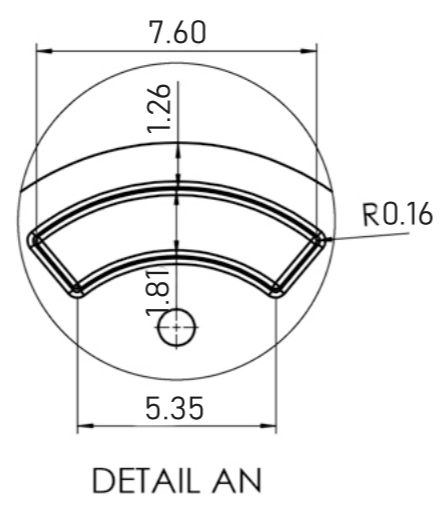
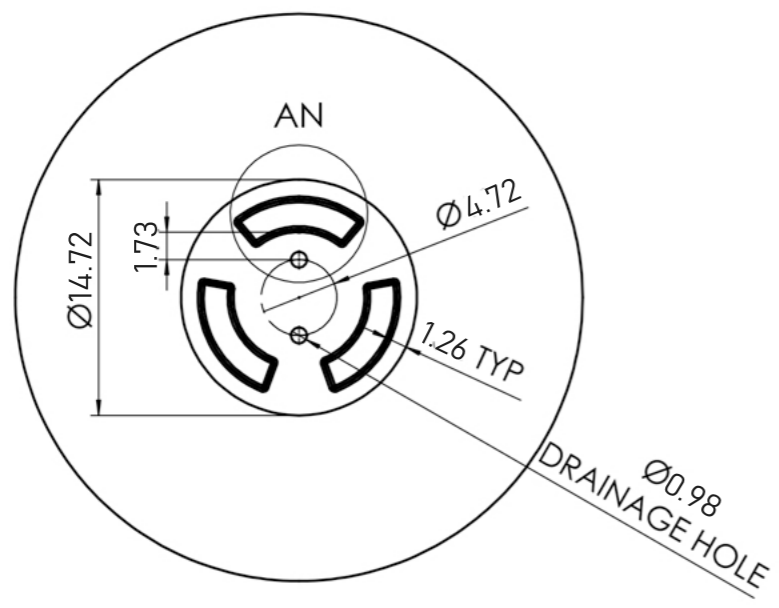
TOP



BODY



BOTTOM



SCALE : 1:12	WEIGHT: kg	REVISION : 0	NAME	SIGNATURE	DATE		
PROJECT: COSA POTS			DRAWN: TOM		19/09/2024		
DESCRIPTION: ORBO 90			CHECKED: TOÀN			DIMENSION	
ITEM CODE: OR.90			CHECKED:			SYMBOL	UNIT
FIBERGLASS LAYER:			CHECKED:			[NUMBER "]	INCH
PRIMER <input type="checkbox"/> TOPCOAT <input type="checkbox"/>			MFG APPR: THU HANH			NUMBER	INCH
COLOR: TBD			MFG APPR: UYÊN HẠNH			MATERIAL: COMPOSITE	
						SHEET 1 OF 1	SIZE: A3