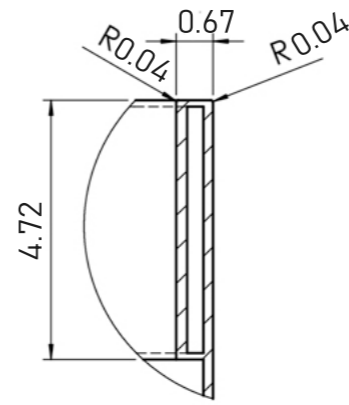
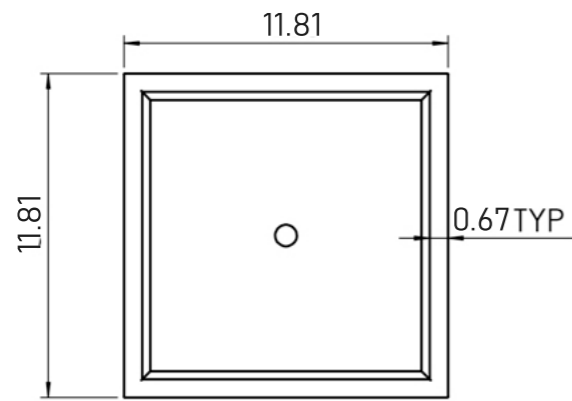


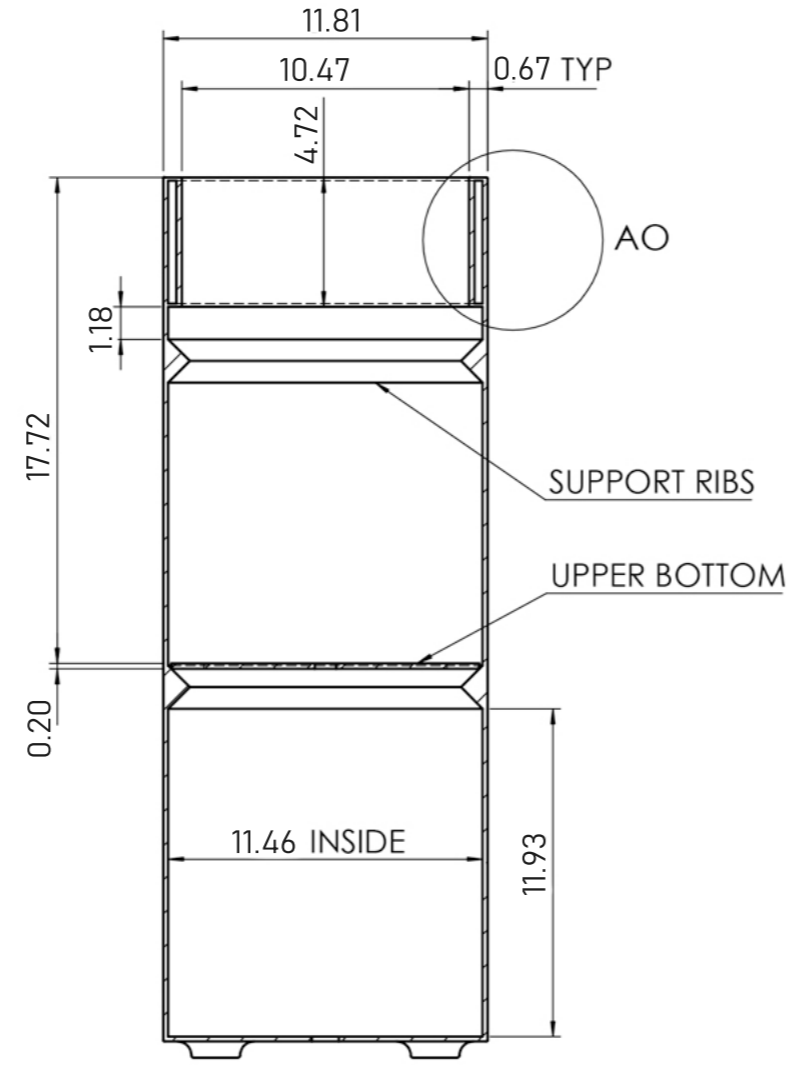
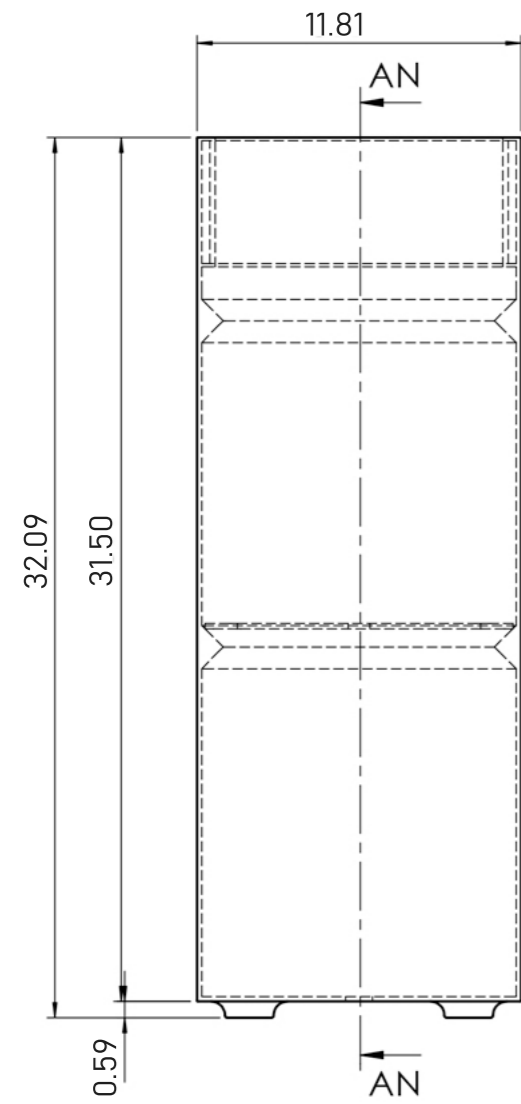
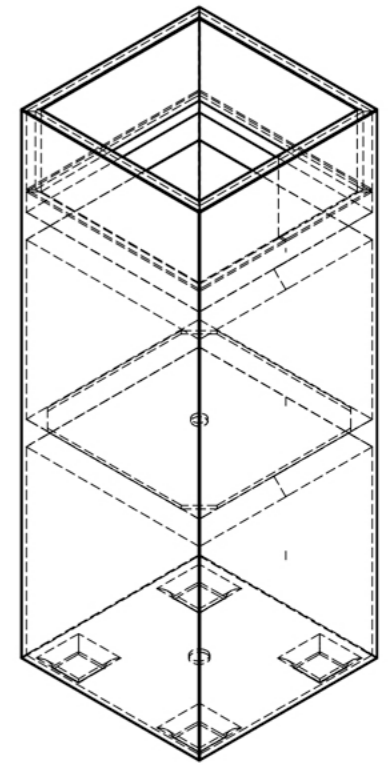
TOP

BODY

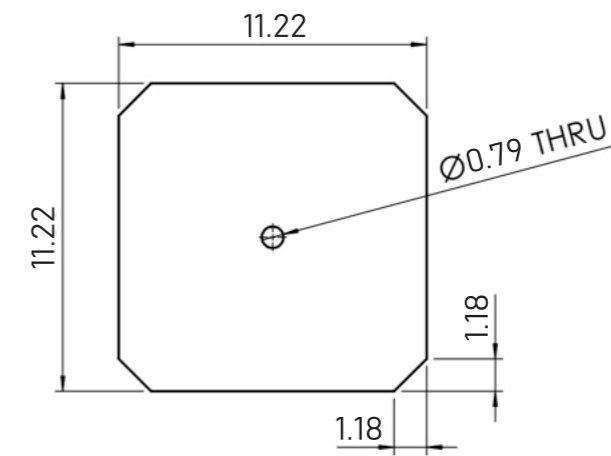
BOTTOM



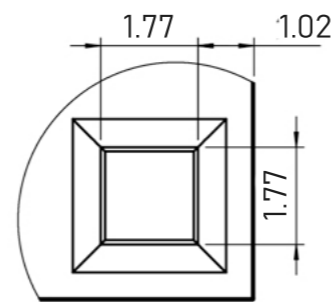
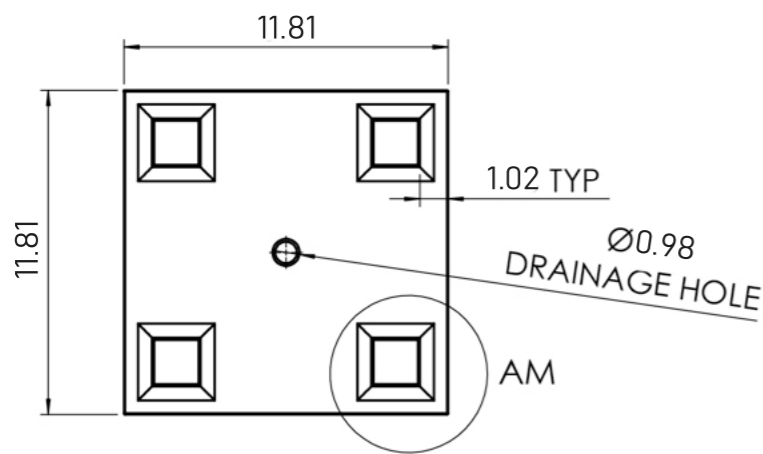
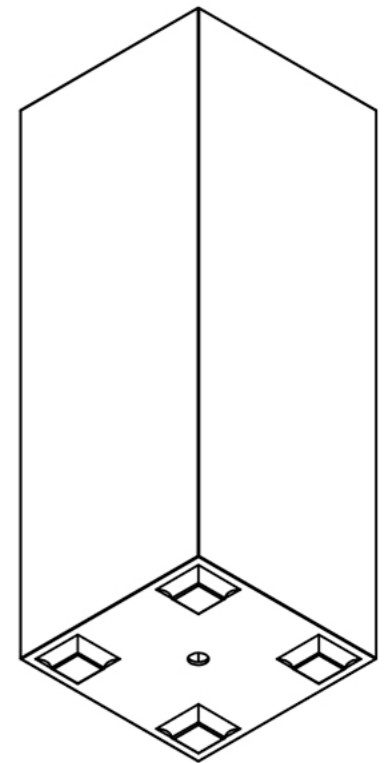
DETAIL AO



SECTION AN-AN



UPPER BOTTOM



DETAIL AM

SCALE : 1:7	WEIGHT: ..... kg	REVISION : 0	NAME	SIGNATURE	DATE		
PROJECT: COSA POTS			DRAWN	TOM	19/09/2024		
DESCRIPTION: REGLO 30			CHECKED	TOÀN		DIMENSION	
ITEM CODE: RE.30			CHECKED			SYMBOL	UNIT
FIBERGLASS LAYER: .....			CHECKED			[ NUMBER " ]	INCH
PRIMER <input type="checkbox"/> TOPCOAT <input type="checkbox"/>			MFG APPR	THU HANH		NUMBER	INCH
COLOR: TBD			MFG APPR	UYÊN HANH		MATERIAL: COMPOSITE	
						SHEET 1 OF 1	SIZE: A3