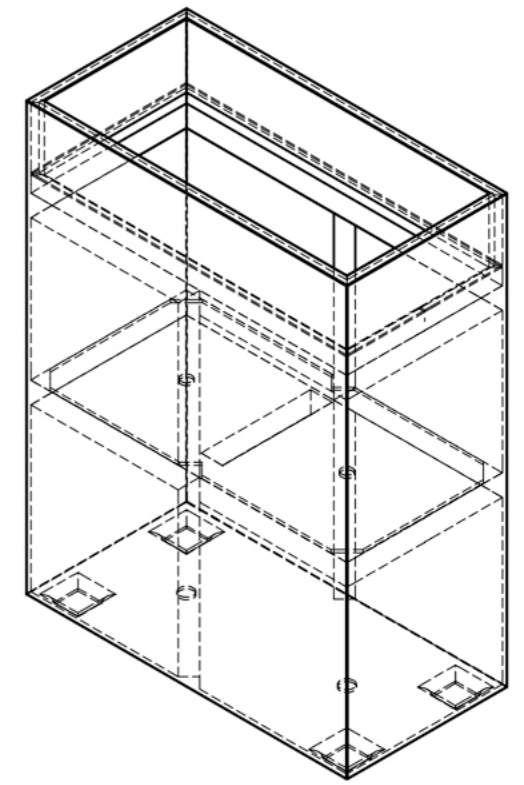
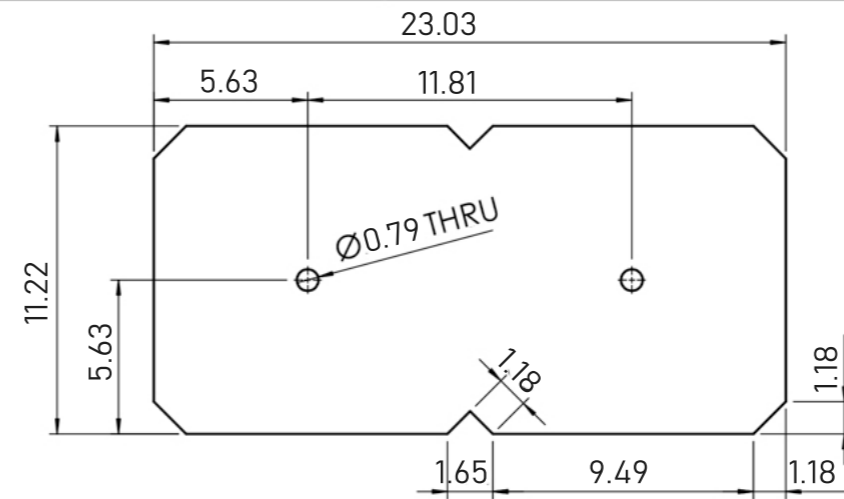
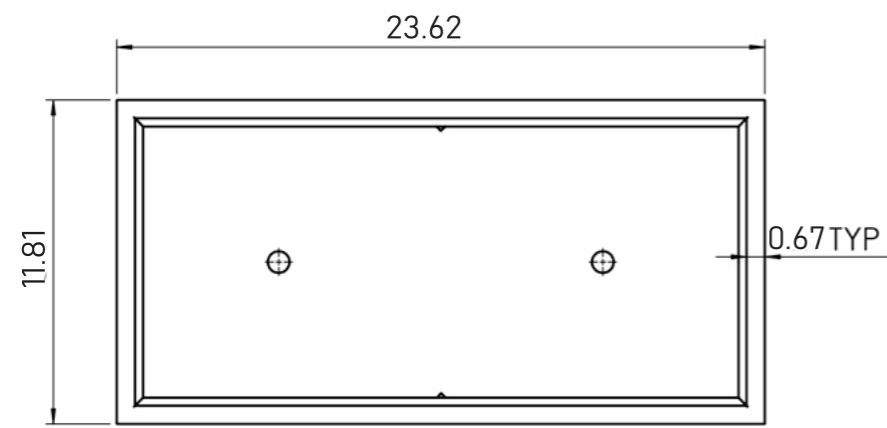
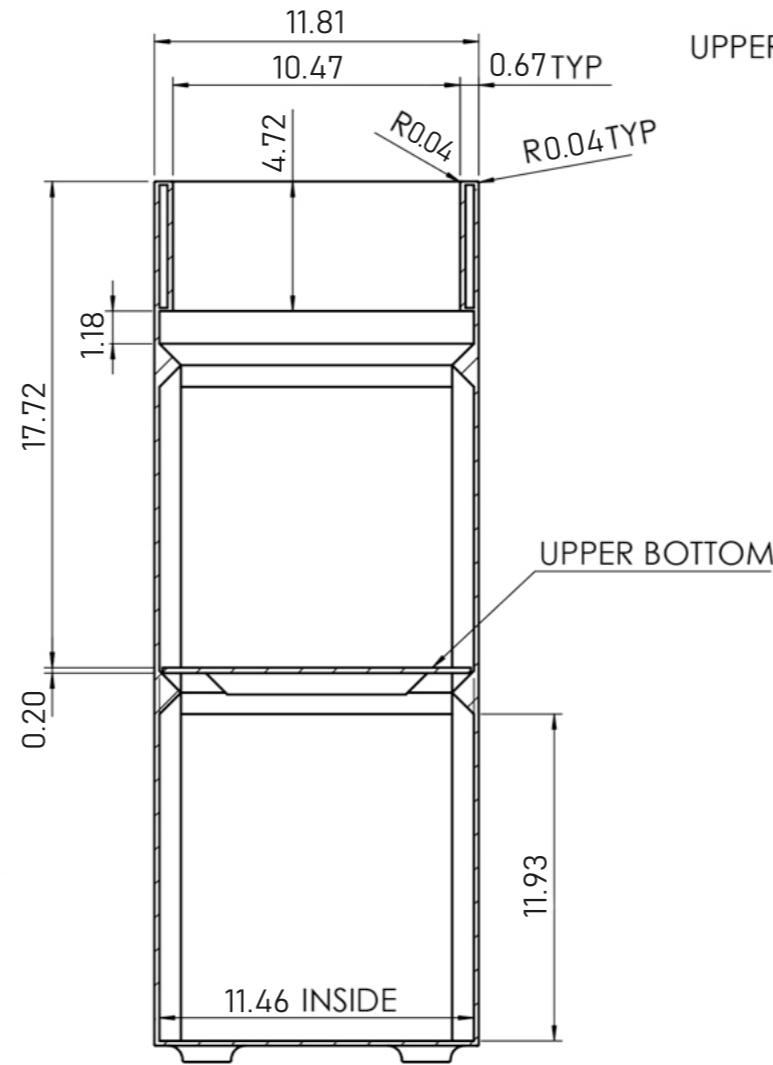
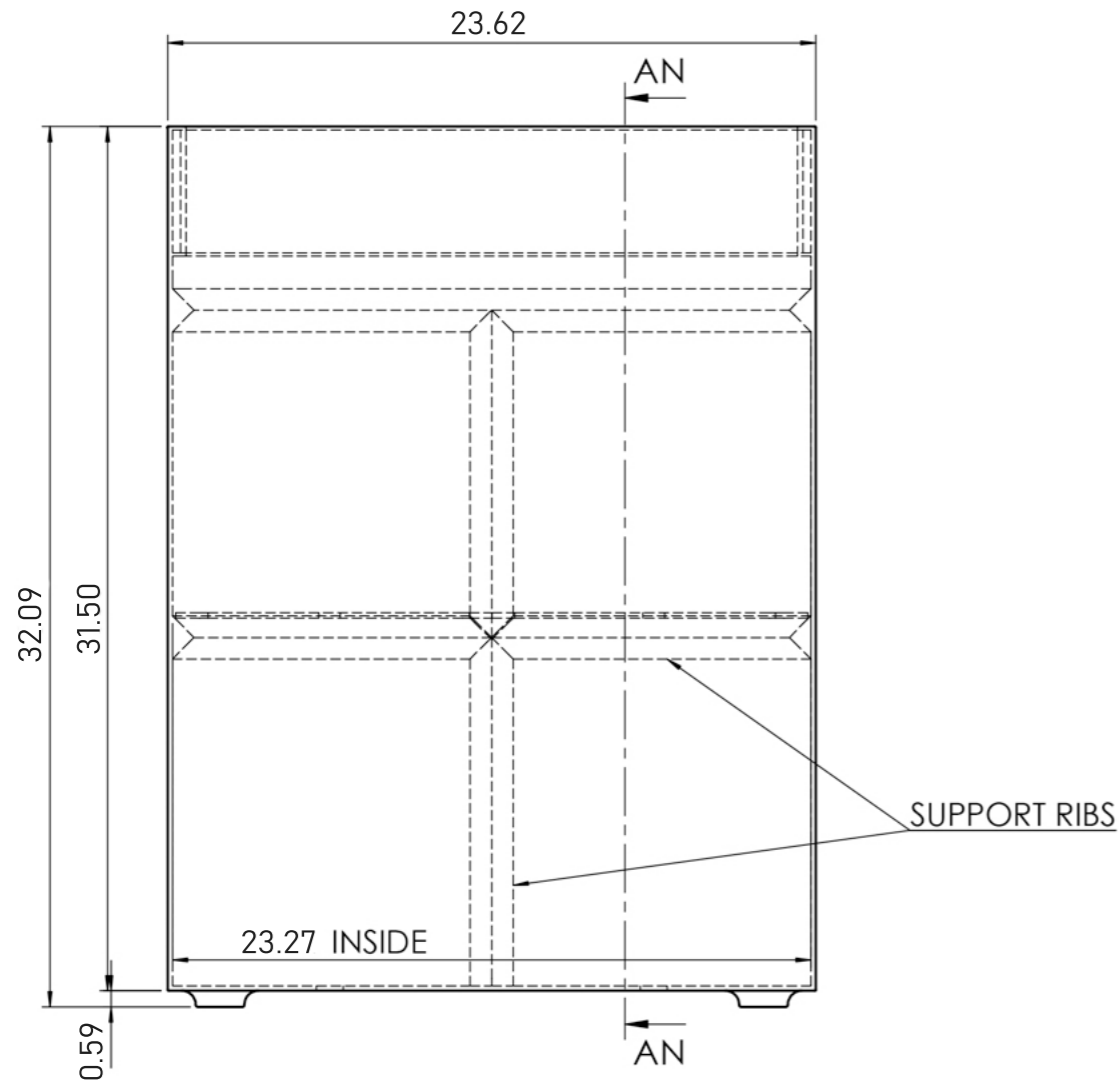


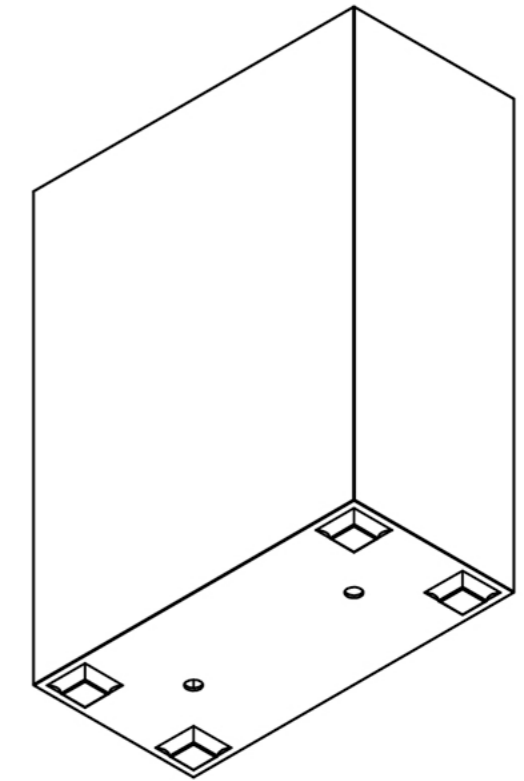
TOP



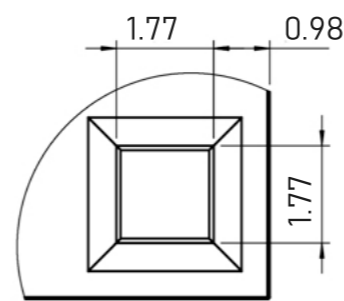
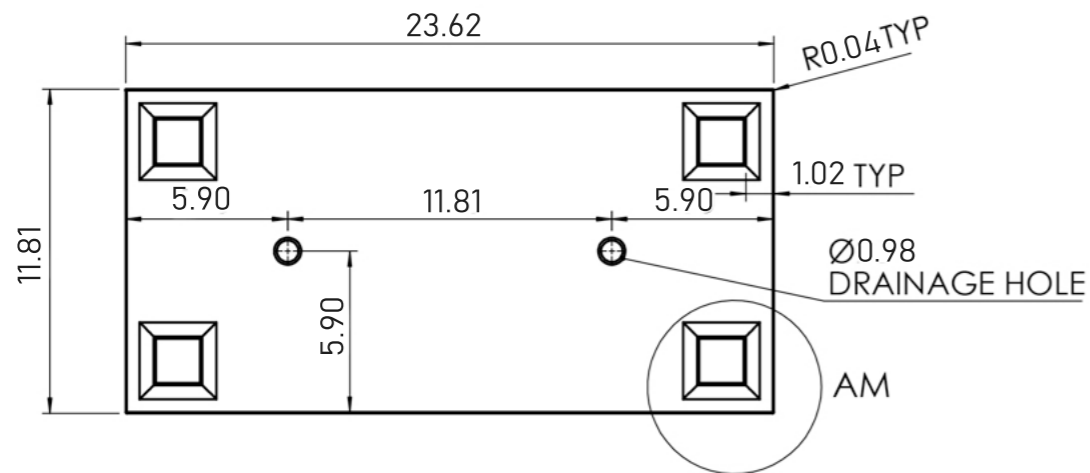
BODY



SECTION AN-AN



BOTTOM



DETAIL AM

SCALE : 1:7	WEIGHT: kg	REVISION : 0	NAME	SIGNATURE	DATE		
PROJECT: COSA POTS			DRAWN	TOM	19/09/2024		
DESCRIPTION: REGLO 60			CHECKED	TOAN			
ITEM CODE: RE.60			CHECKED			DIMENSION	
FIBERGLASS LAYER:			CHECKED			SYMBOL	UNIT
PRIMER <input type="checkbox"/> TOPCOAT <input type="checkbox"/>			MFG APPR	THU HANH		[NUMBER "]	INCH
COLOR: TBD			MFG APPR	UYEN HANH		NUMBER	INCH
						MATERIAL: COMPOSITE	
						SHEET 1 OF 2	SIZE: A3