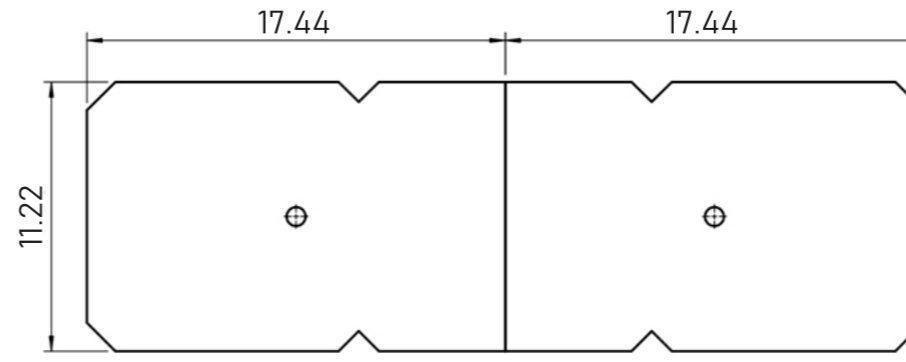
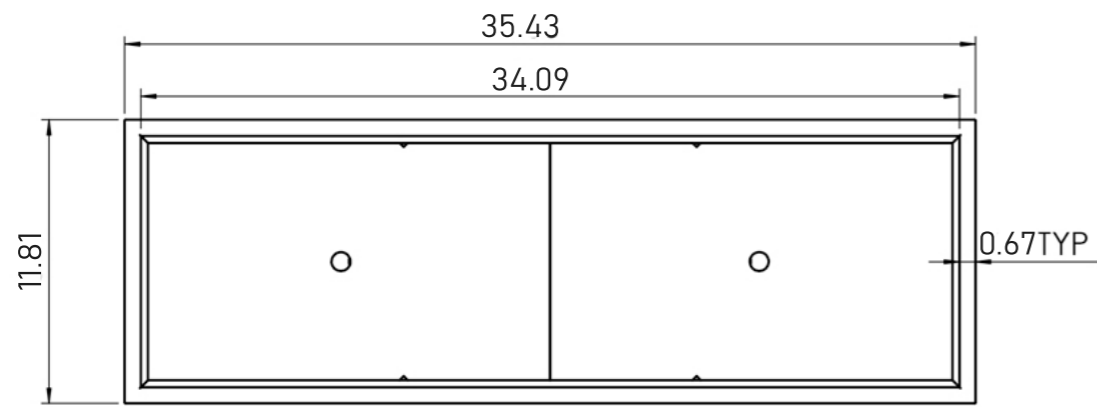
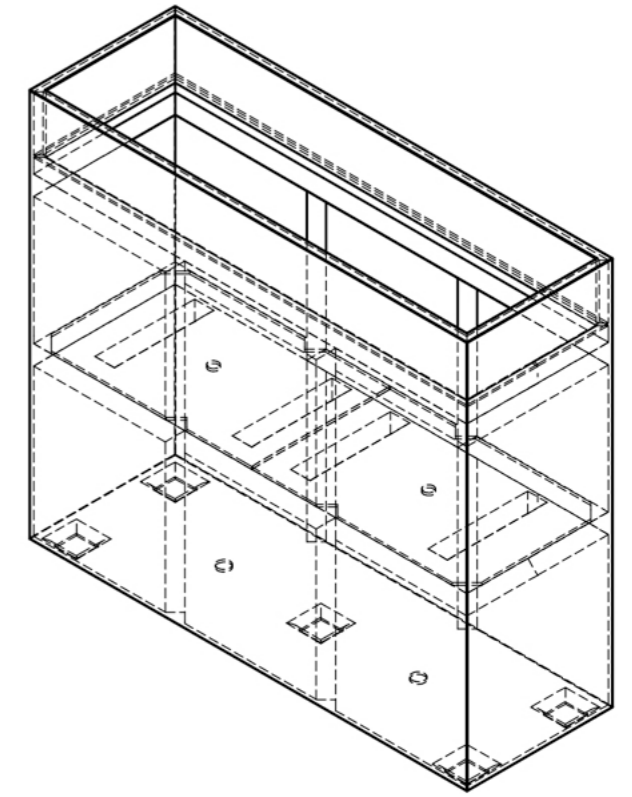


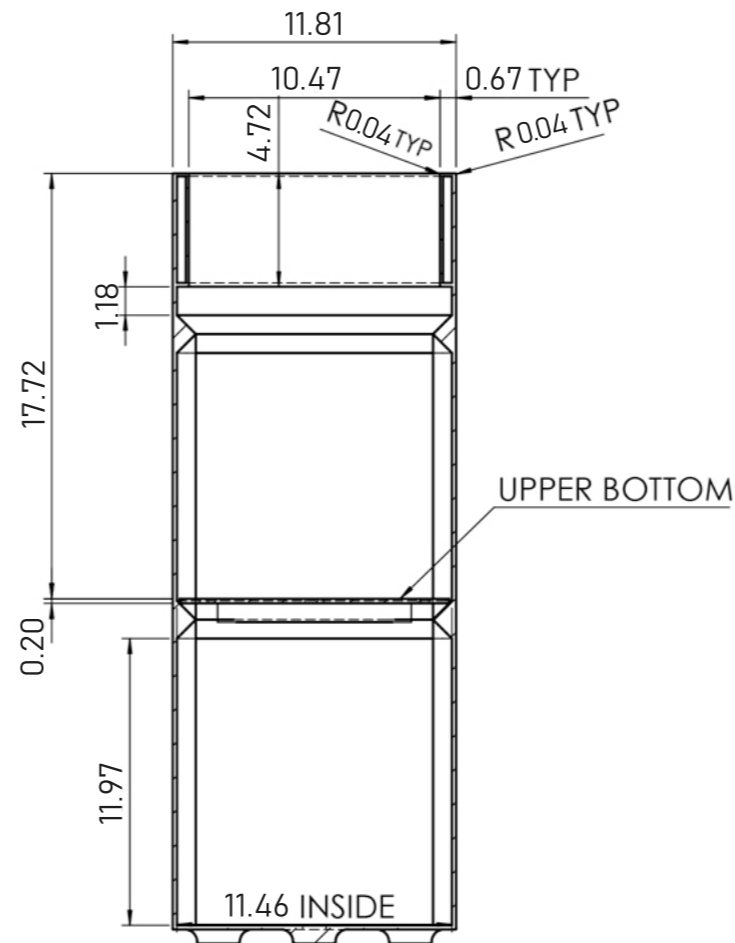
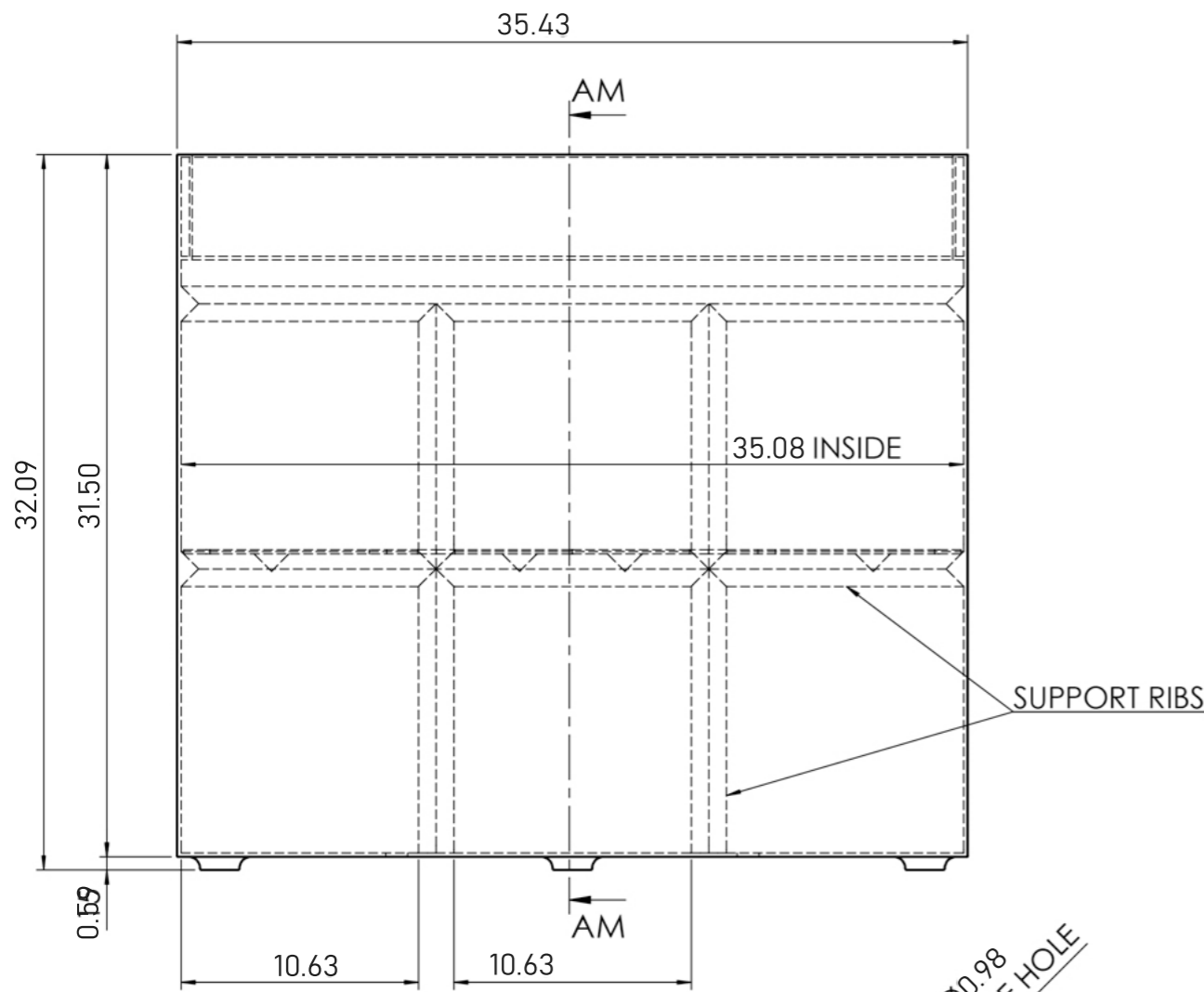
TOP



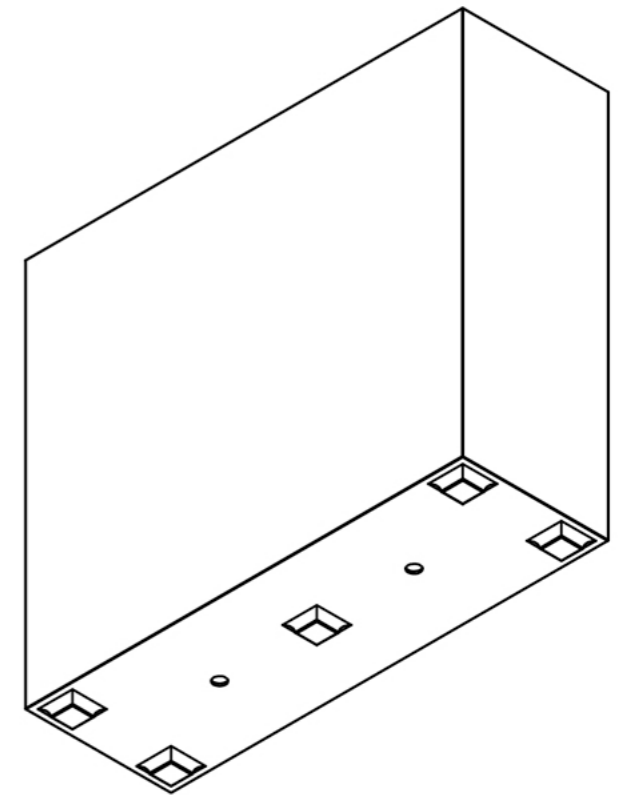
UPPER BOTTOM



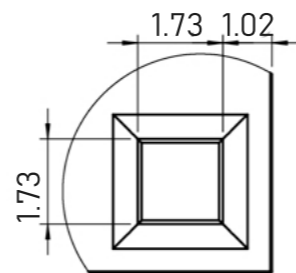
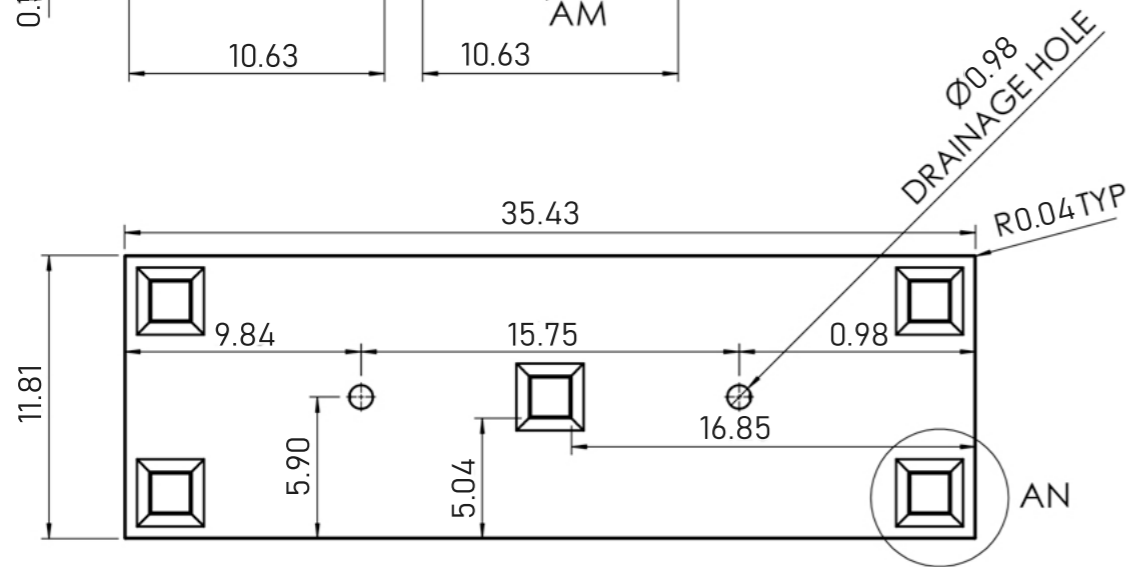
BODY



SECTION AM-AM



BOTTOM



DETAIL AN

SCALE : 1:8	WEIGHT: kg	REVISION : 1	NAME	SIGNATURE	DATE		
PROJECT: COSA POTS			DRAWN: TOM		19/09/2024		
DESCRIPTION: REGLO 90			CHECKED: TOÀN			DIMENSION	
ITEM CODE: RE.90			CHECKED:			SYMBOL	UNIT
FIBERGLASS LAYER:			CHECKED:			[NUMBER "]	INCH
PRIMER <input type="checkbox"/> TOPCOAT <input type="checkbox"/>			MFG APPR: THU HANH			NUMBER	INCH
COLOR: TBD			MFG APPR: UYÊN HANH			MATERIAL: COMPOSITE	
SHEET 1 OF 2						SIZE: A3	