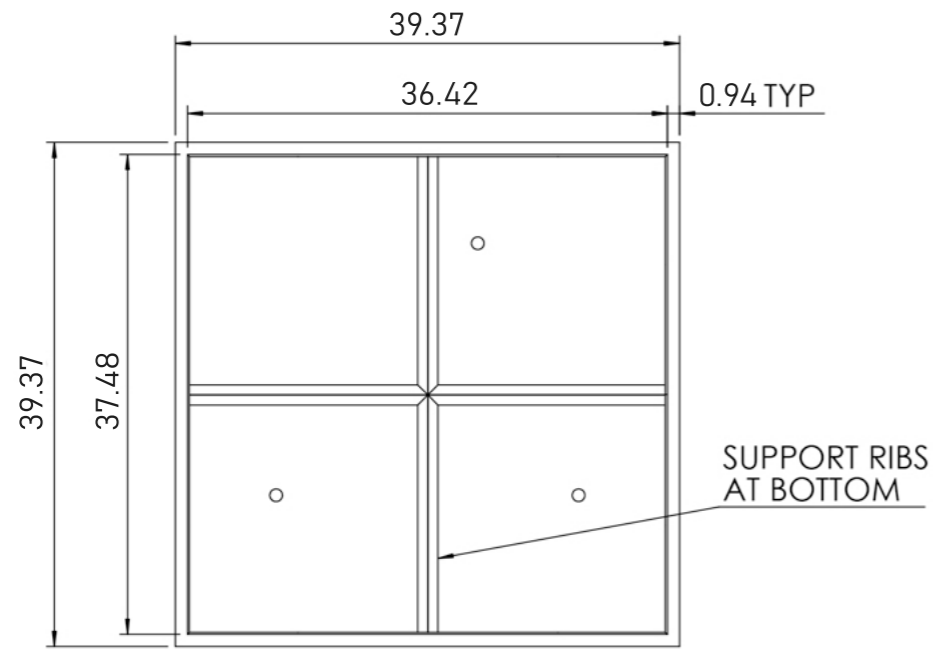
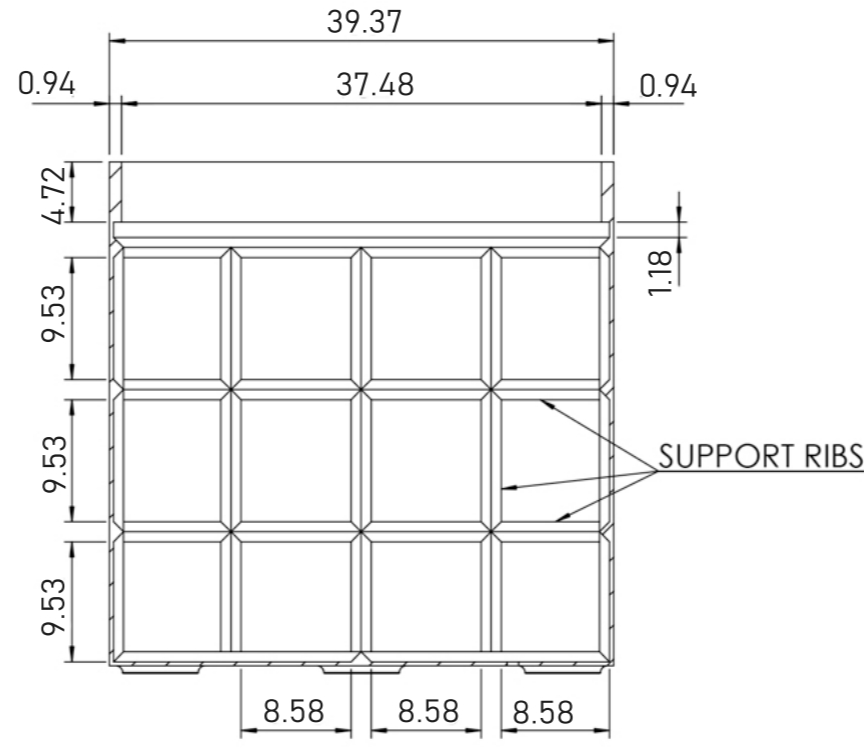
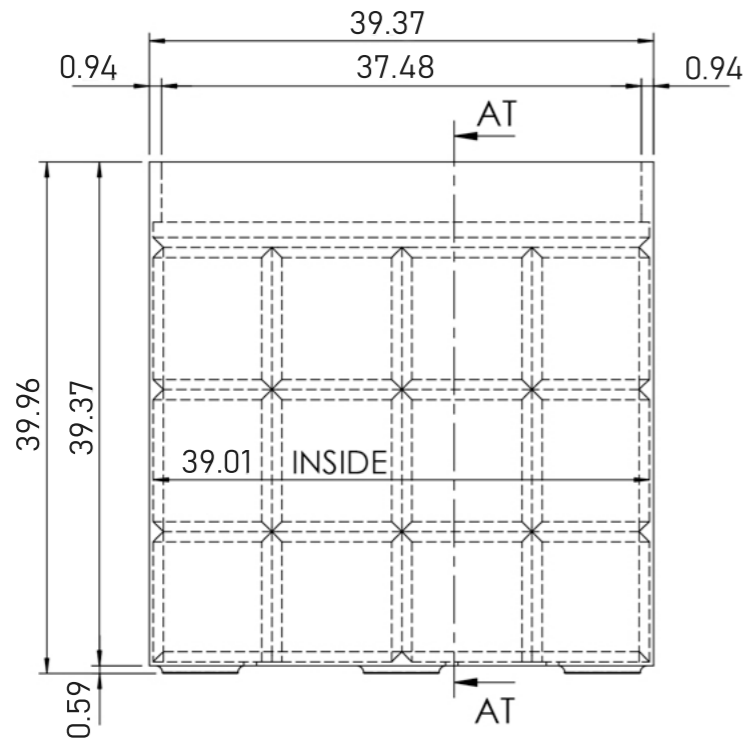


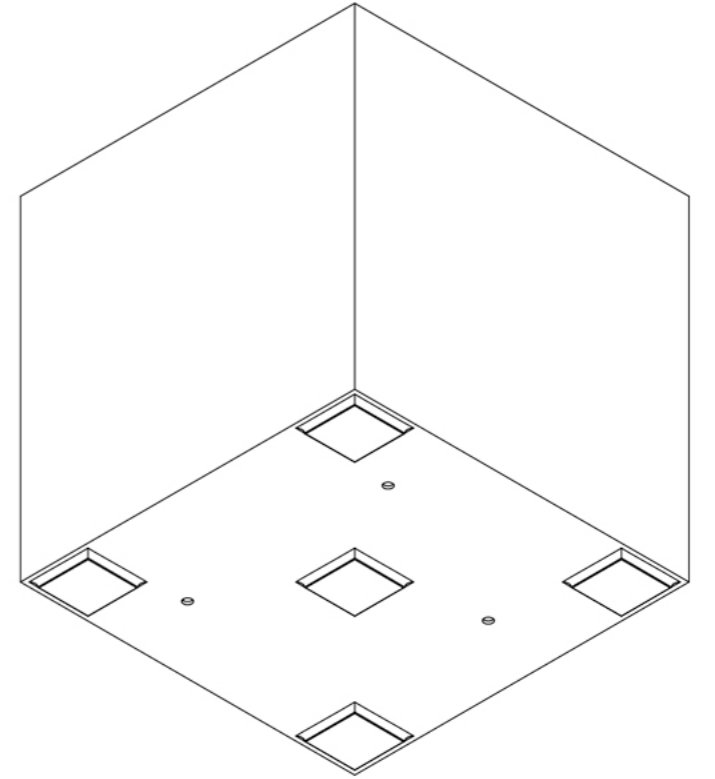
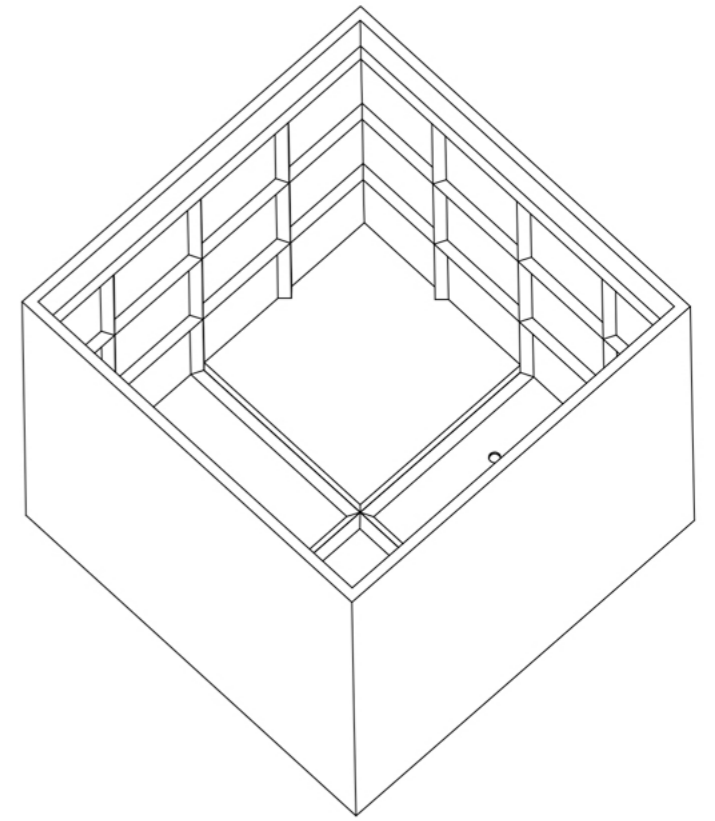
TOP



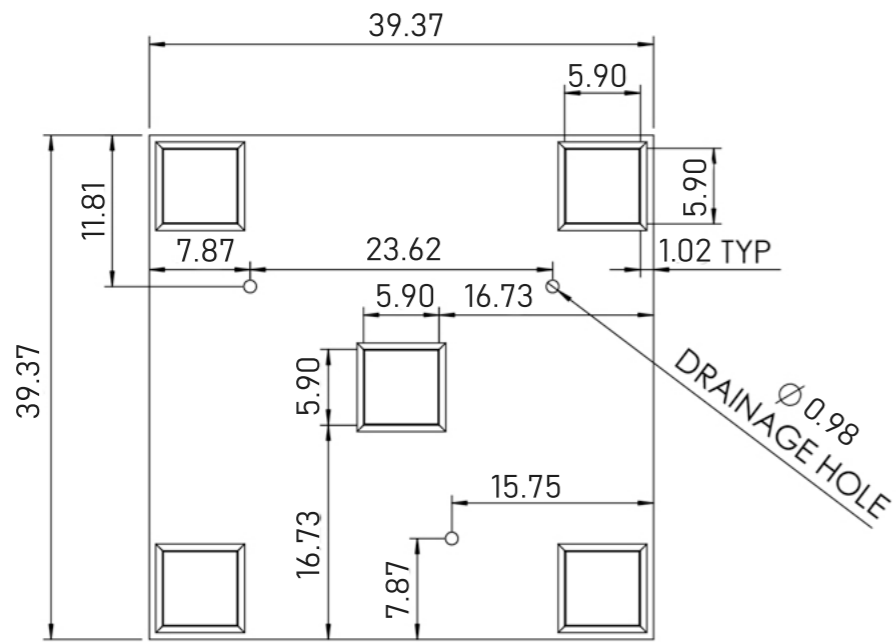
BODY



SECTION AT-AT



MOTION



SCALE : 1:16	WEIGHT: kg	REVISION : 0	NAME	SIGNATURE	DATE		
PROJECT: COSA POTS			DRAWN	TOM	12-Apr-24		
DESCRIPTION: REGLITO CUBE 100			CHECKED	TOAN			
ITEM CODE: REIC.100			CHECKED	HUU TUAN		DIMENSION	
FIBERGLASS LAYER:			CHECKED			SYMBOL	UNIT
PRIMER <input type="checkbox"/> TOPCOAT <input type="checkbox"/>			MFG APPR	THU HANH		[NUMBER "]	INCH
COLOR: TBD			MFG APPR	UYEN HANH		NUMBER	INCH
SHEET 1 OF 1						MATERIAL: COMPOSITE	SIZE: A3