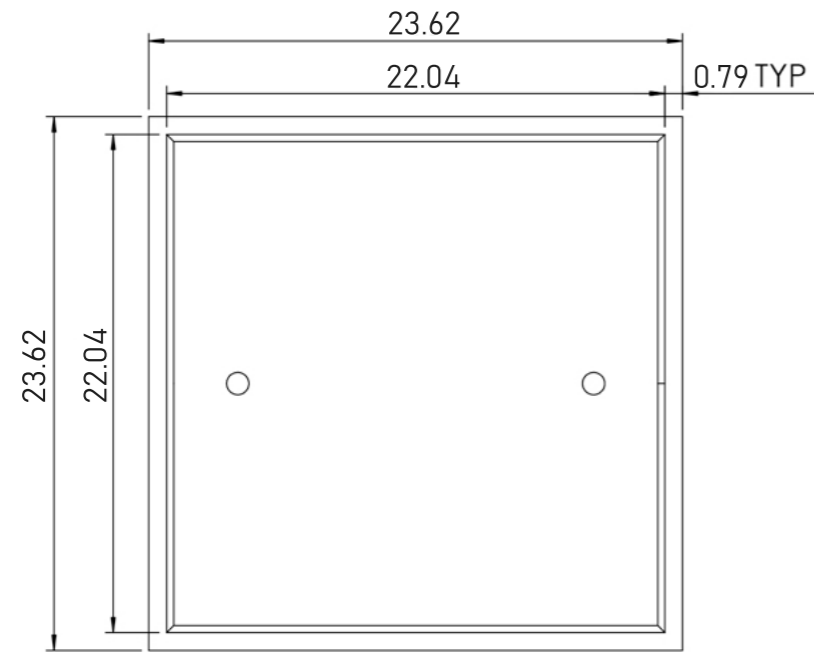
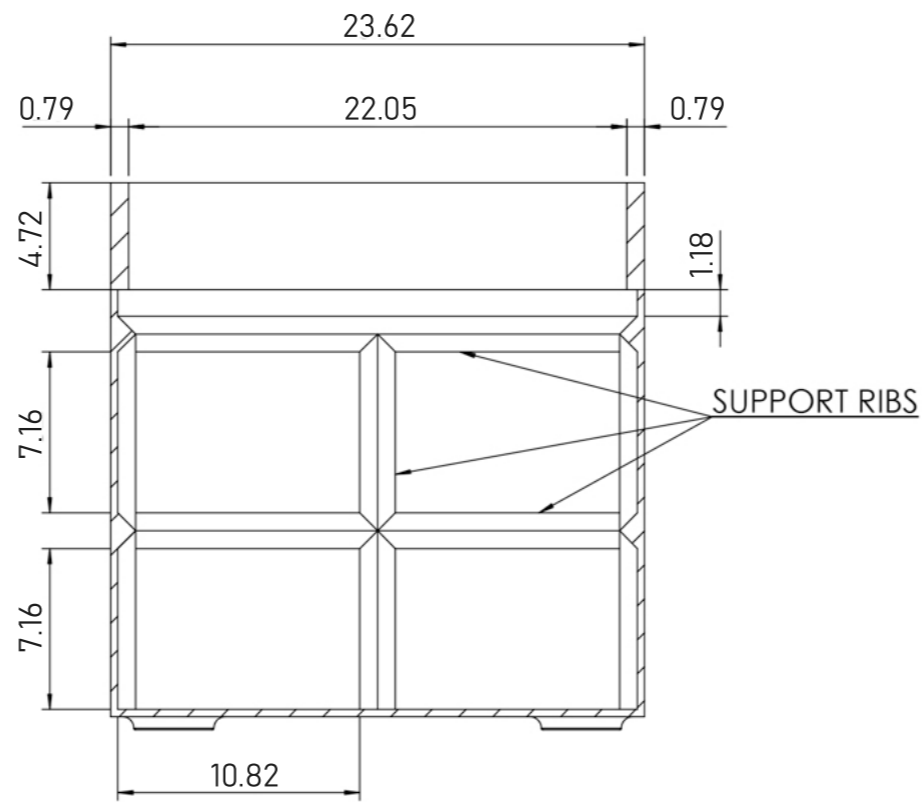
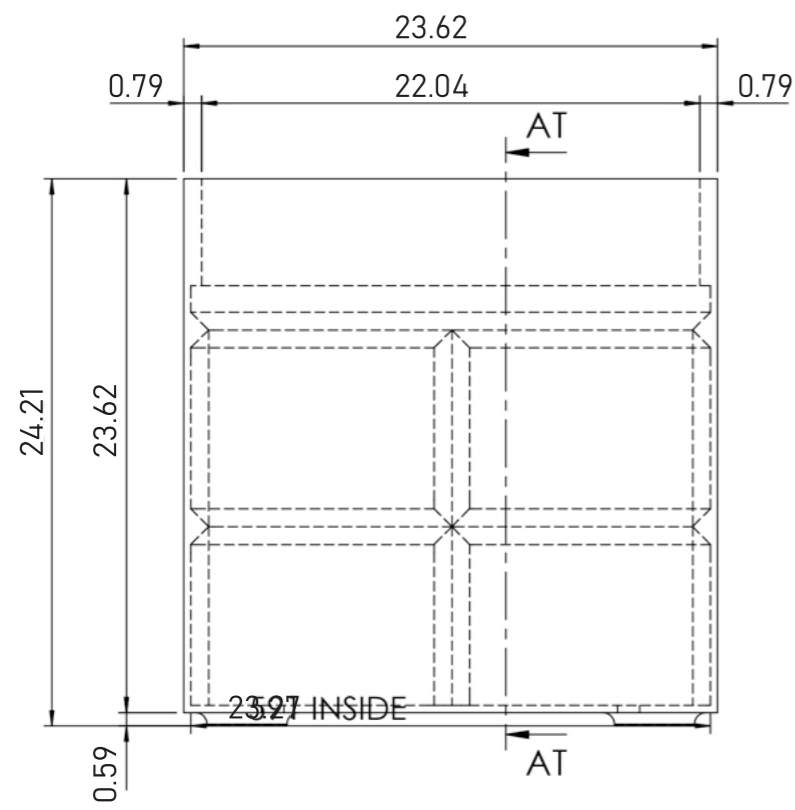


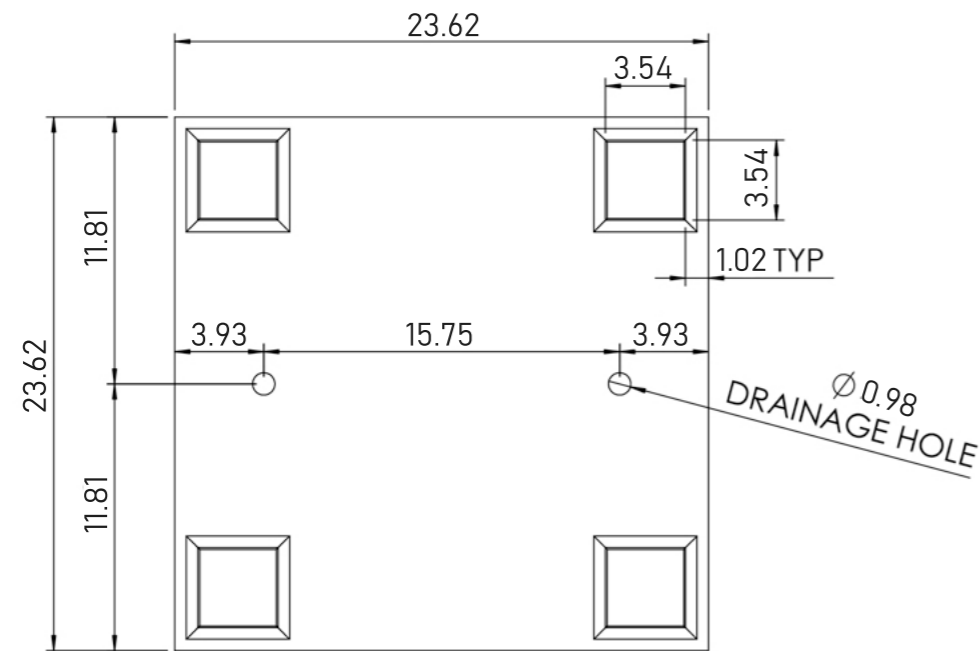
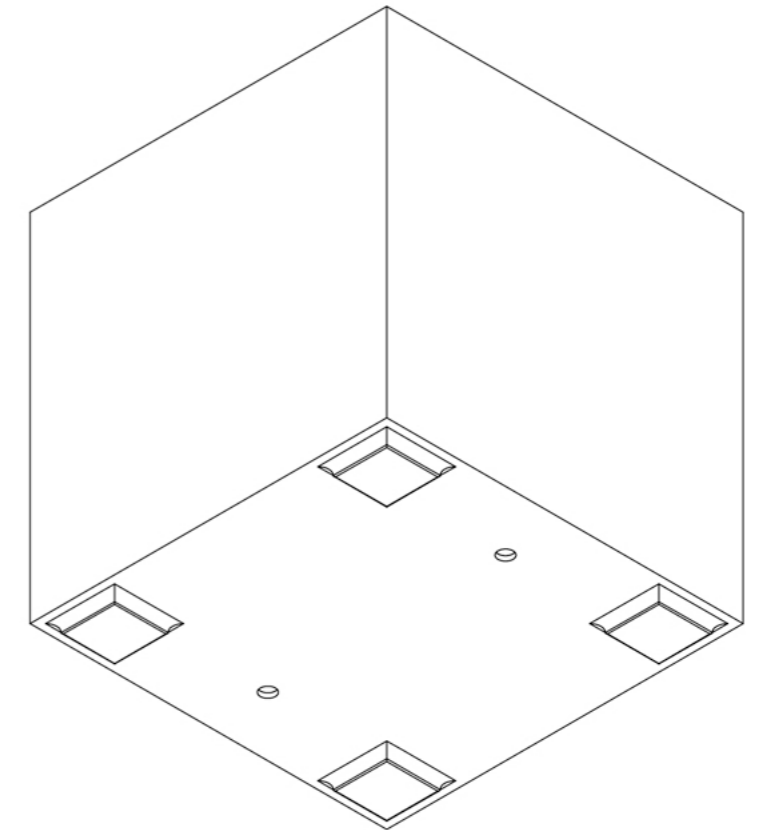
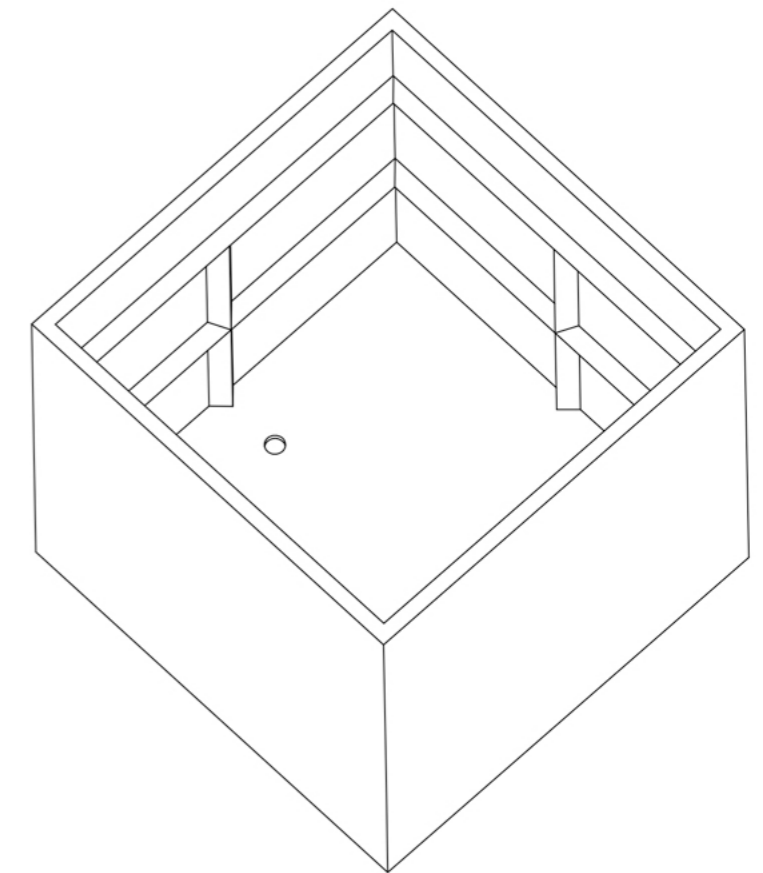
TOP



BODY



SECTION AT-AT



BOTTOM

SCALE : 1:16	WEIGHT: kg	REVISION : 0	NAME	SIGNATURE	DATE	
PROJECT: COSA POTS			DRAWN	TOM	12-Apr-24	
DESCRIPTION: REGLITO CUBE 60			CHECKED	TOAN		
ITEM CODE: REIC.60			CHECKED	HUU TUAN		
FIBERGLASS LAYER:			CHECKED			DIMENSION
PRIMER <input type="checkbox"/> TOPCOAT <input type="checkbox"/>			MFG APPR	THU HANH		SYMBOL
COLOR: TBD			MFG APPR	UYEN HANH		UNIT
						[NUMBER "]
						NUMBER
						INCH
						MATERIAL: COMPOSITE
						SIZE: A3
						SHEET 1 OF 1