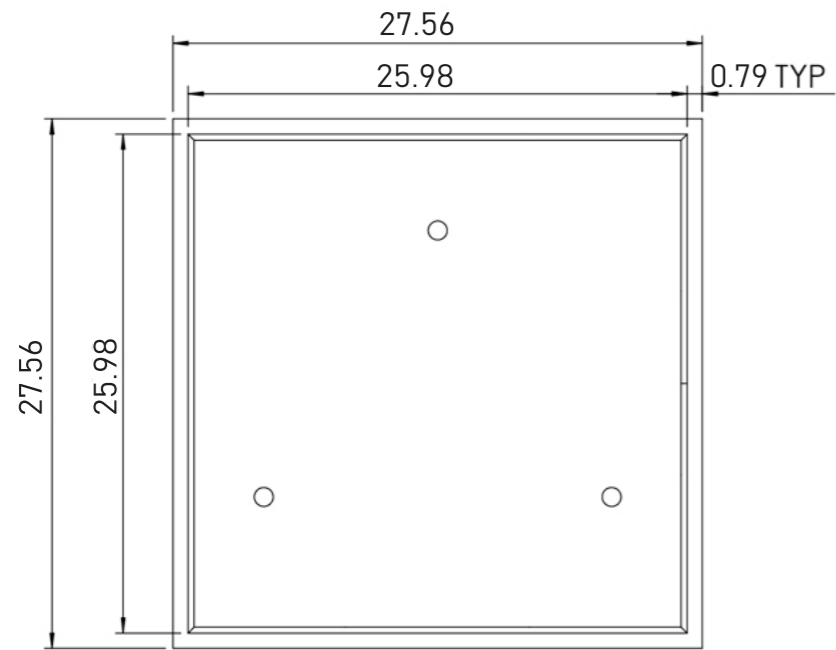
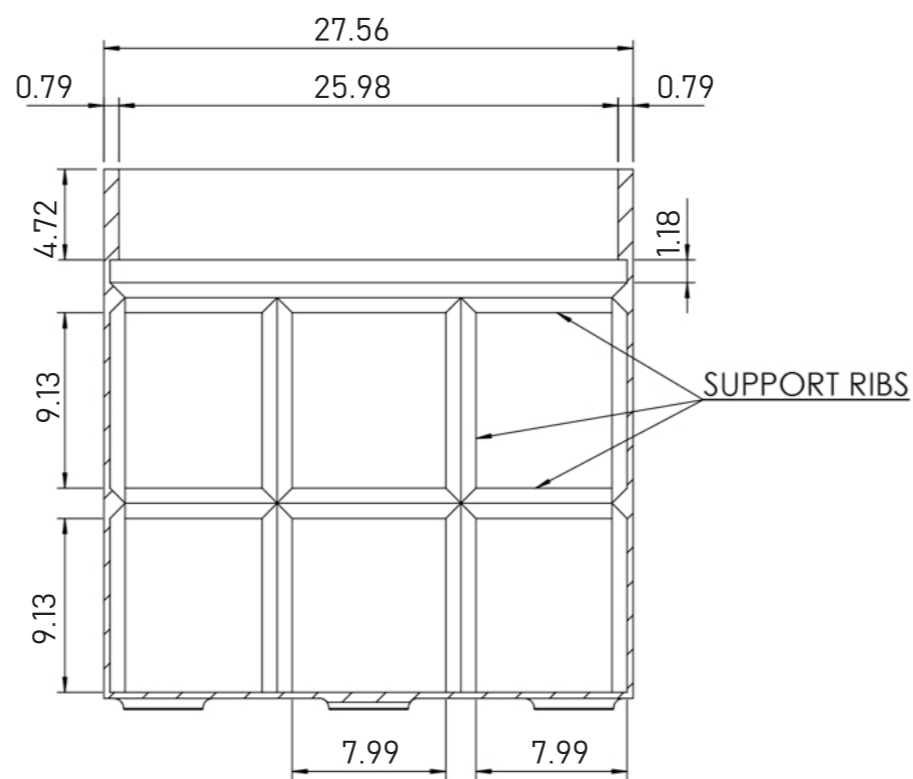
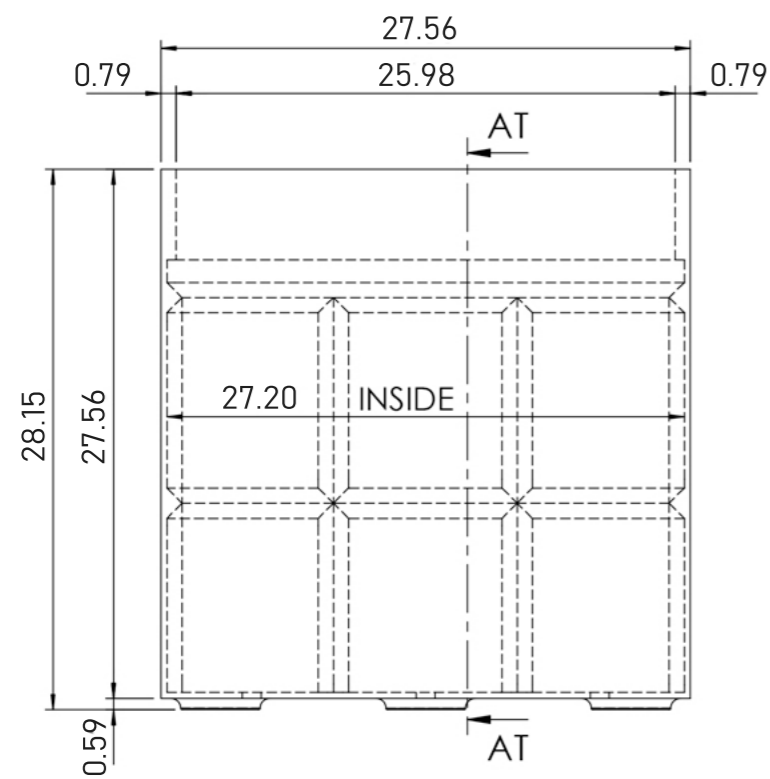


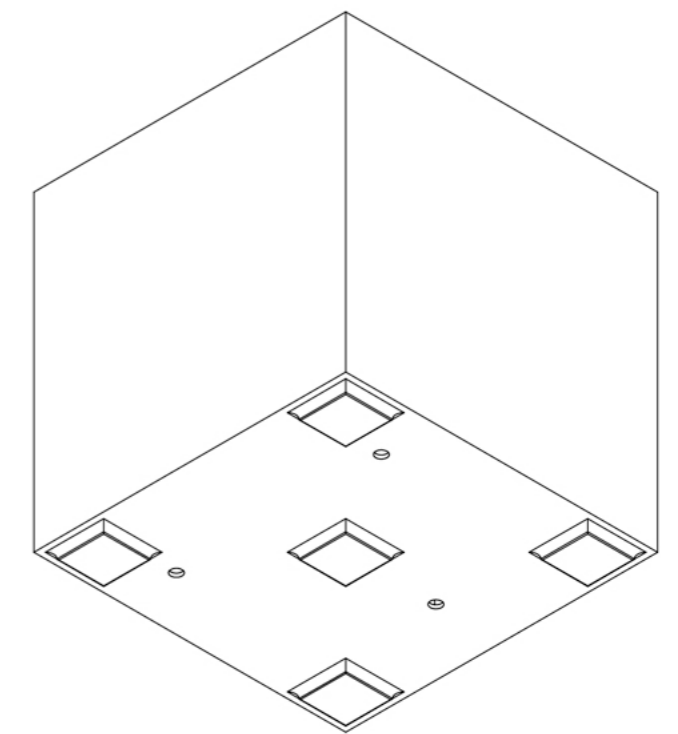
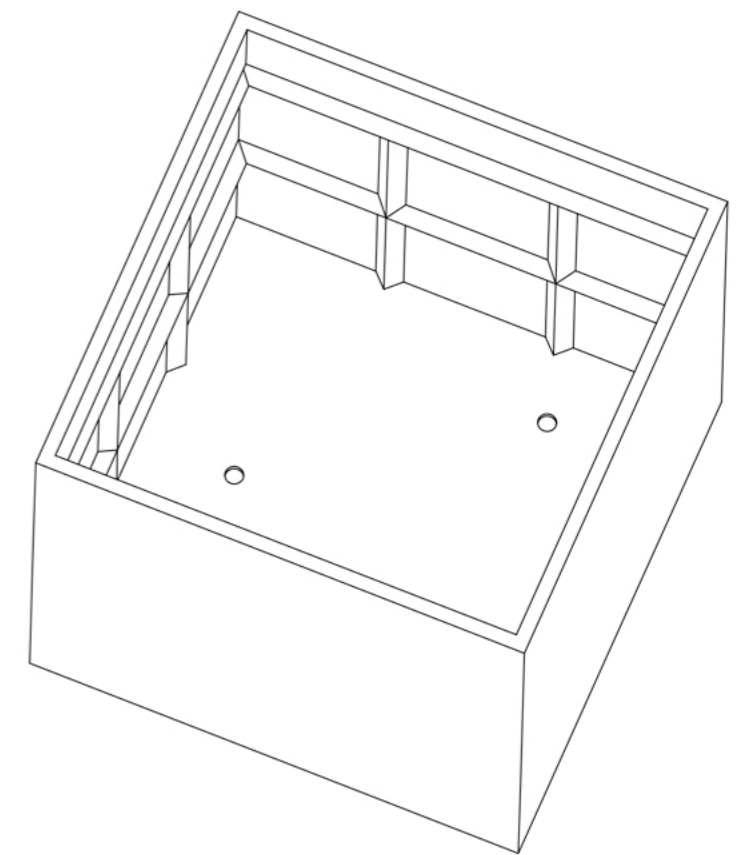
TOP



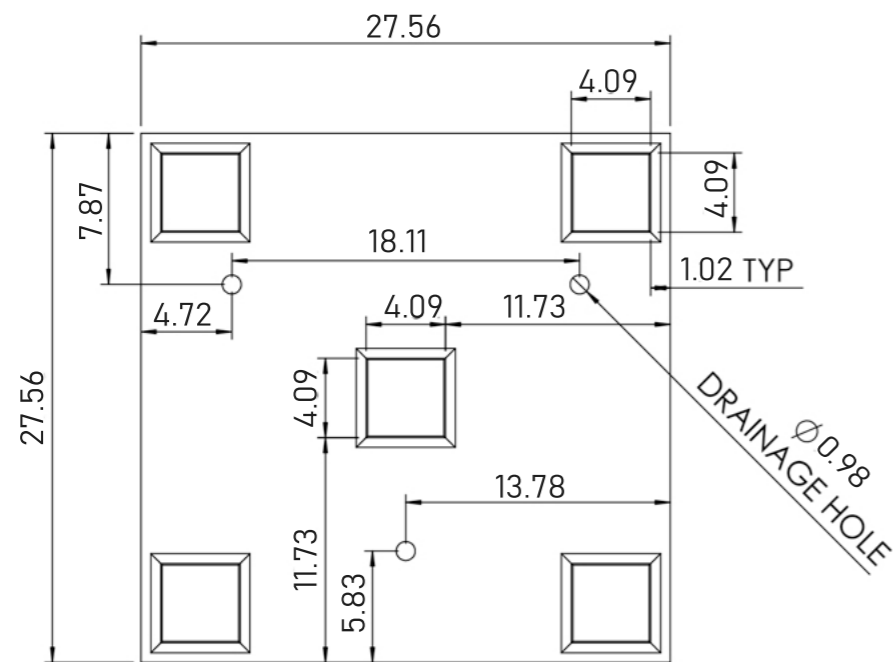
BODY



SECTION AT-AT



MOTION



SCALE: 1:16	WEIGHT: kg	REVISION: 0	NAME	SIGNATURE	DATE		
PROJECT: COSA POTS			DRAWN: TOM		12-Apr-24		
DESCRIPTION: REGLITO CUBE 70			CHECKED: TOAN				
ITEM CODE: REIC.70			CHECKED: HUU TUAN			DIMENSION	
FIBERGLASS LAYER:			CHECKED:			SYMBOL	UNIT
PRIMER <input type="checkbox"/> TOPCOAT <input type="checkbox"/>			COLOR: TBD	MFG APPR: THU HANH		[NUMBER "]	INCH
			MFG APPR: UYEN HANH			NUMBER	INCH
						MATERIAL: COMPOSITE	
						SHEET 1 OF 1	SIZE: A3