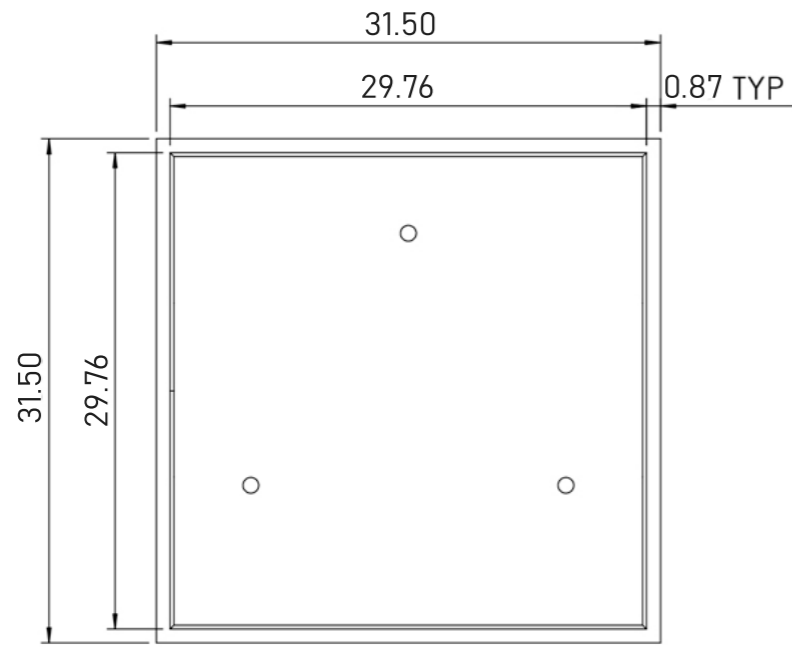
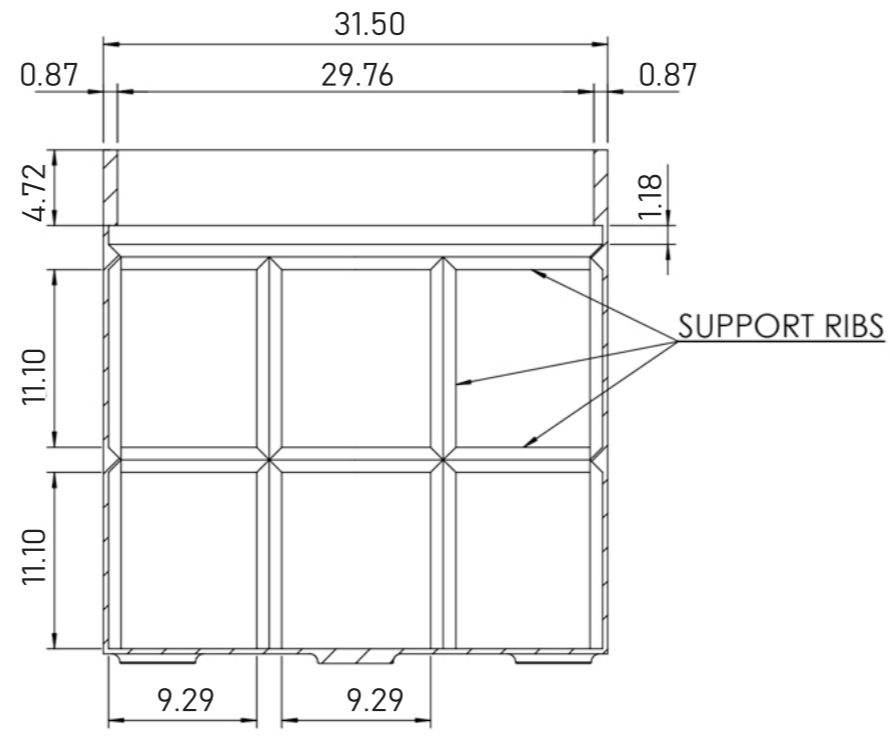
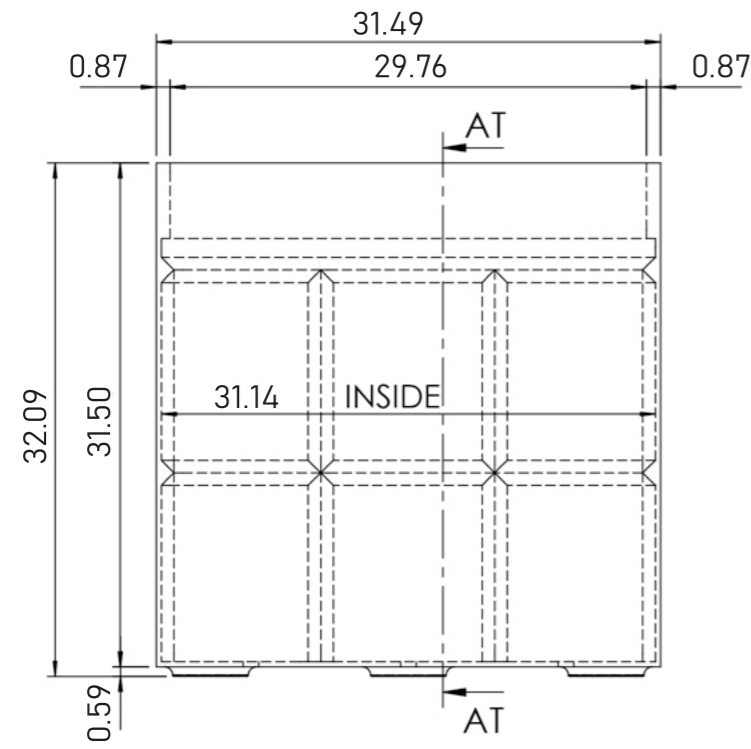


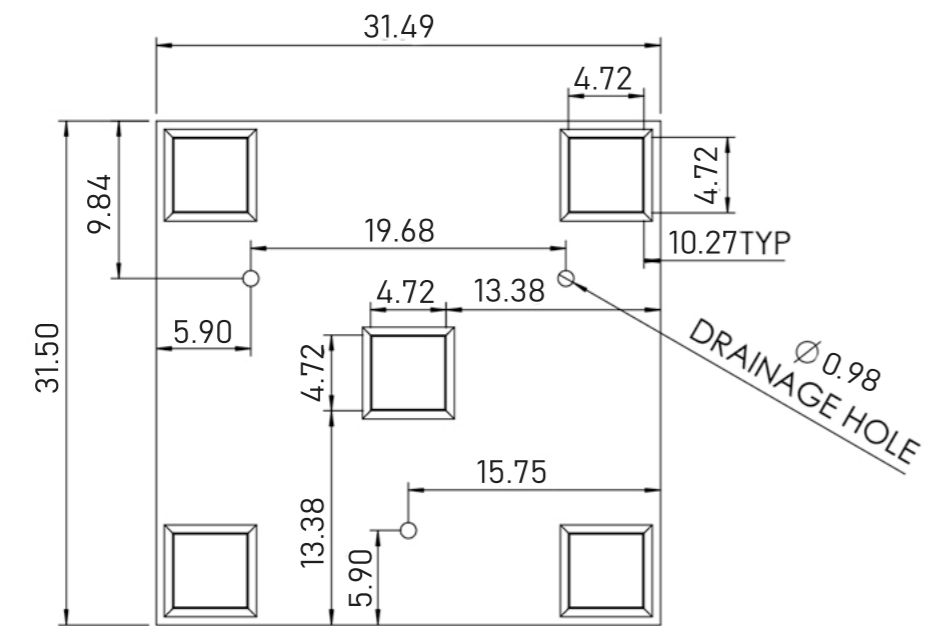
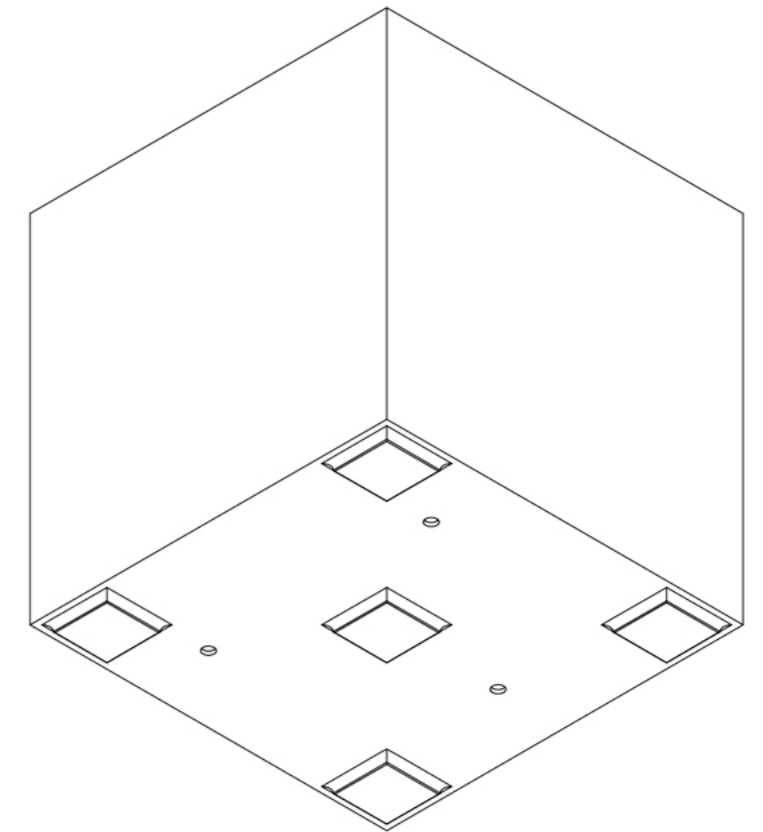
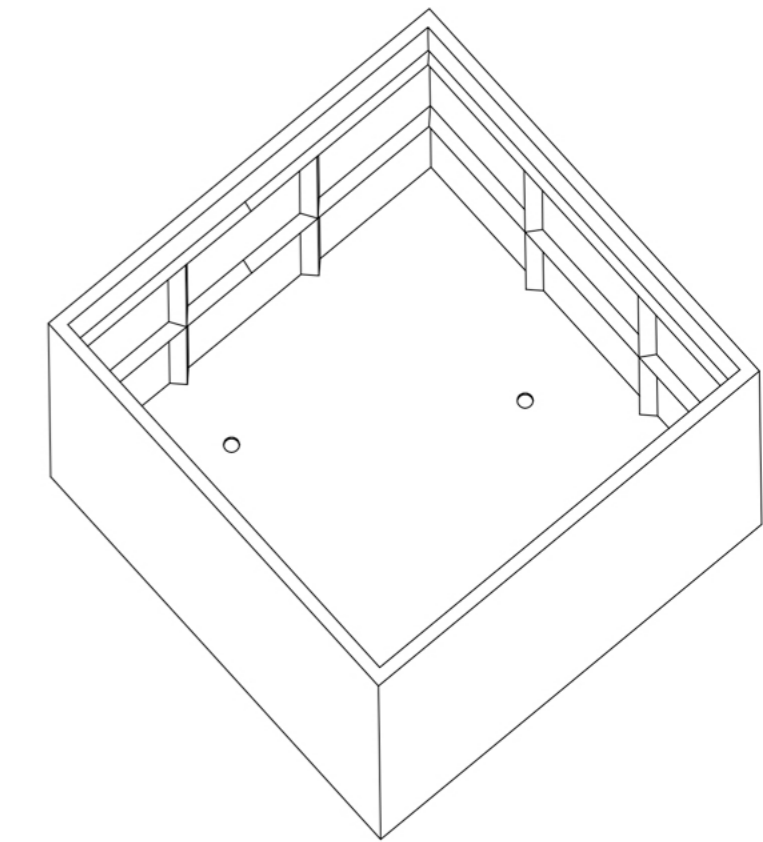
TOP



BODY



SECTION AT-AT



MOTOM

SCALE : 1:16	WEIGHT: ..... kg	REVISION : 0	NAME	SIGNATURE	DATE		
PROJECT: COSA POTS			DRAWN	TOM	12-Apr-24		
DESCRIPTION: REGLITO CUBE 80			CHECKED	TOAN		DIMENSION	
ITEM CODE: REIC.80			CHECKED	HUU TUAN		SYMBOL	UNIT
FIBERGLASS LAYER: .....			CHECKED			[ NUMBER " ]	INCH
PRIMER <input type="checkbox"/> TOPCOAT <input type="checkbox"/>			MFG APPR	THU HANH		NUMBER	INCH
COLOR: TBD			MFG APPR	UYEN HANH		MATERIAL: COMPOSITE	SIZE: A3
						SHEET 1 OF 1	