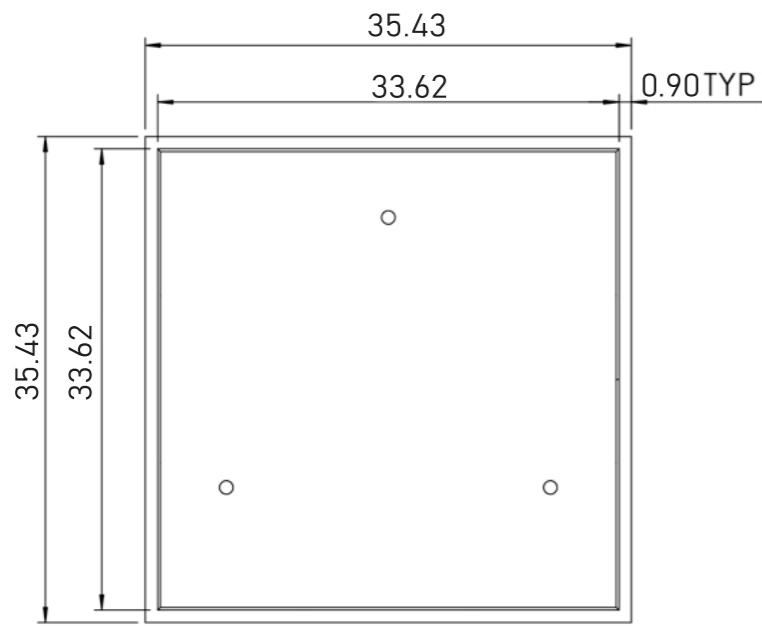
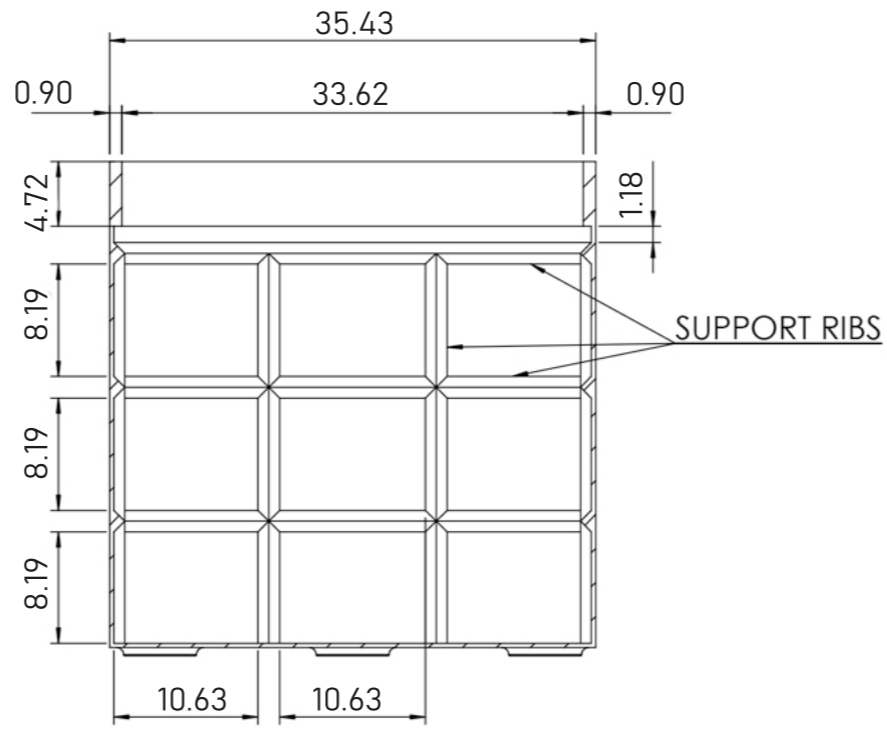
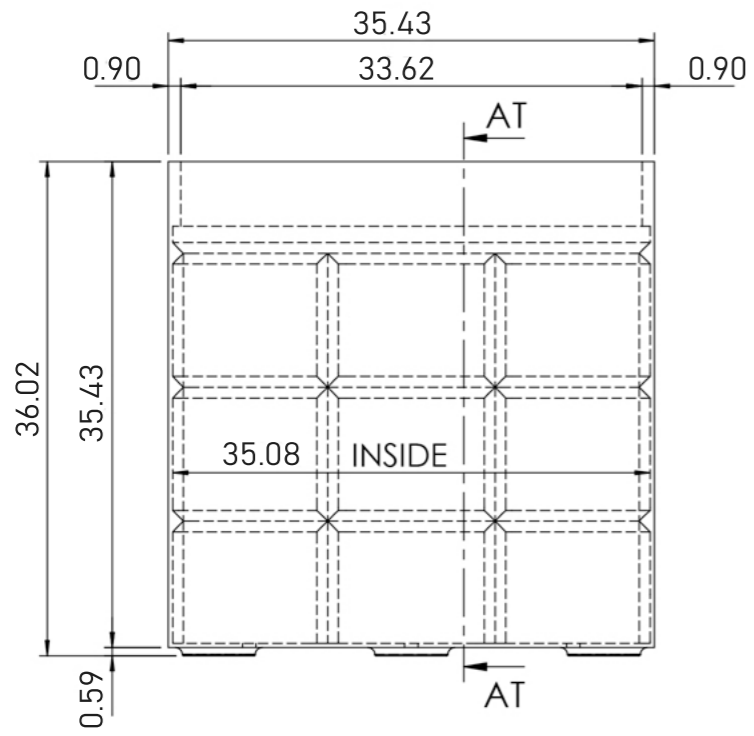


TOP

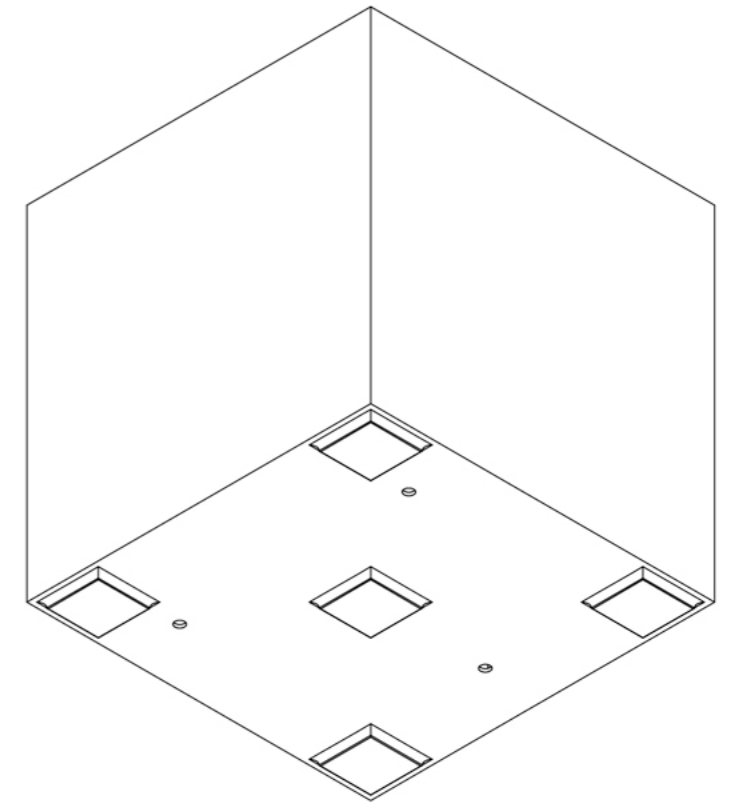
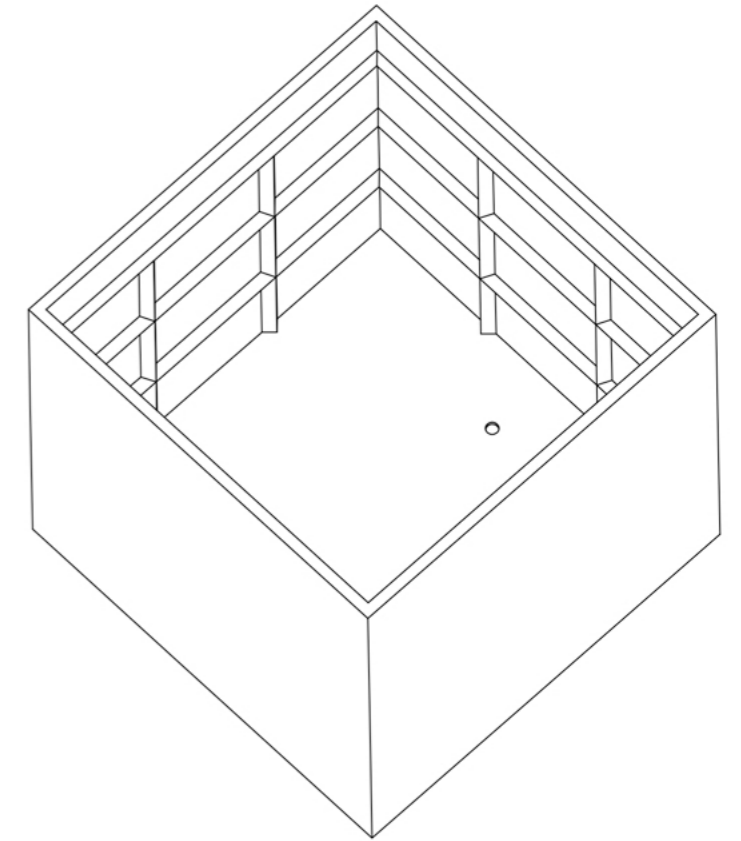
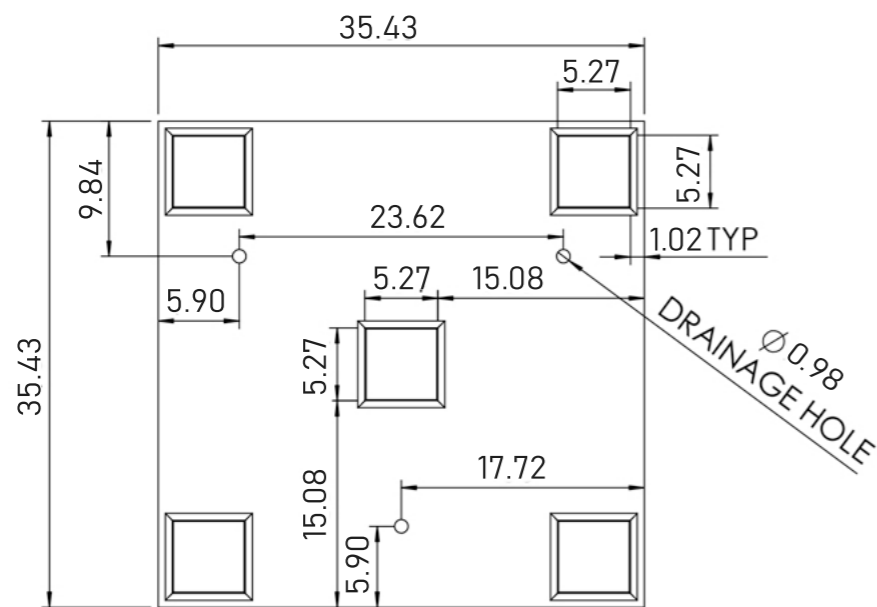


BODY



SECTION AT-AT

MOTTO



SCALE : 1:16	WEIGHT: ..... kg	REVISION : 0	NAME	SIGNATURE	DATE		
PROJECT: COSA POTS			DRAWN: TOM		12-Apr-24		
DESCRIPTION: REGLITO CUBE 90			CHECKED: TOAN			DIMENSION	
ITEM CODE: REIC.90			CHECKED: HUU TUAN			SYMBOL	UNIT
FIBERGLASS LAYER: .....			CHECKED:			[ NUMBER " ]	INCH
PRIMER <input type="checkbox"/> TOPCOAT <input type="checkbox"/>			MFG APPR: THU HANH			NUMBER	INCH
COLOR: TBD			MFG APPR: UYEN HANH			MATERIAL: COMPOSITE	
SHEET 1 OF 1						SIZE: A3	