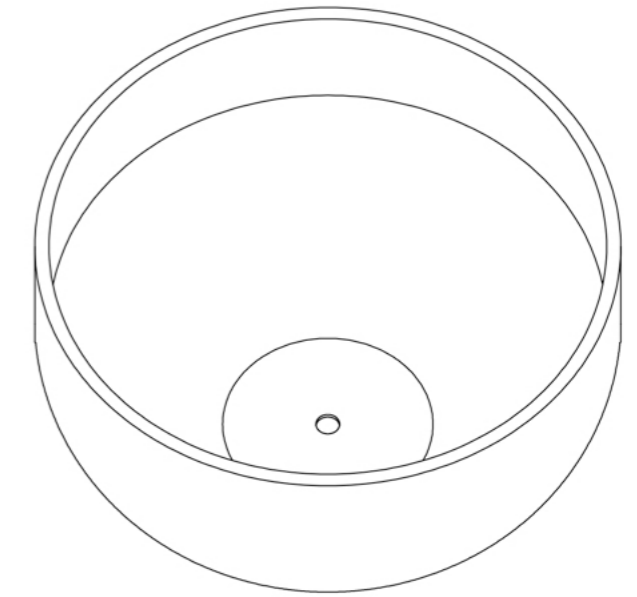
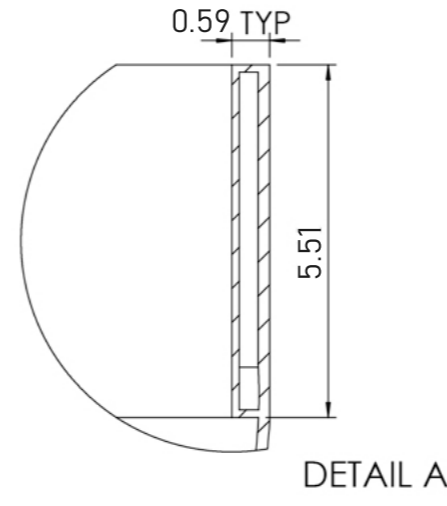
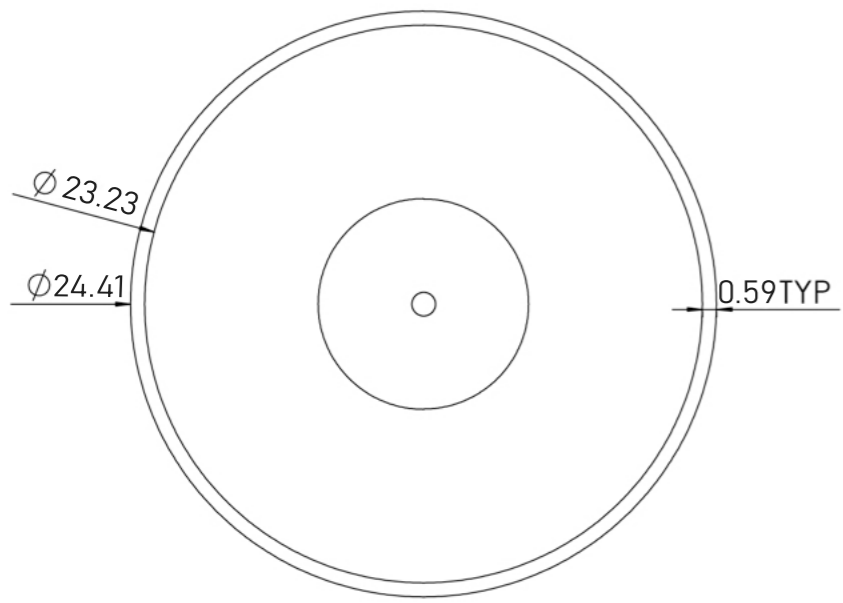
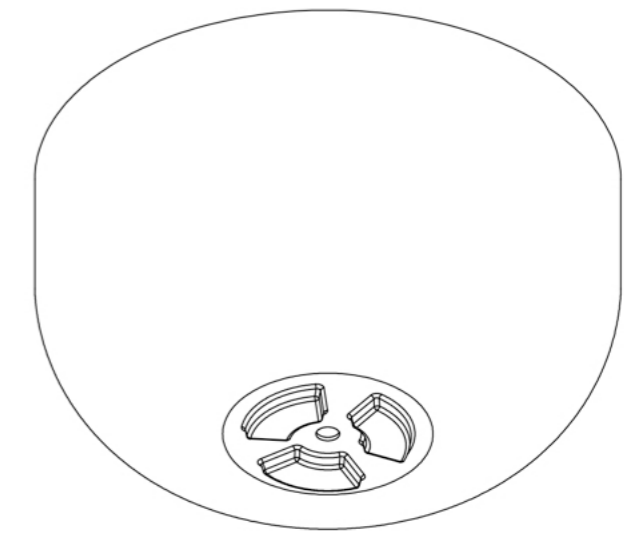
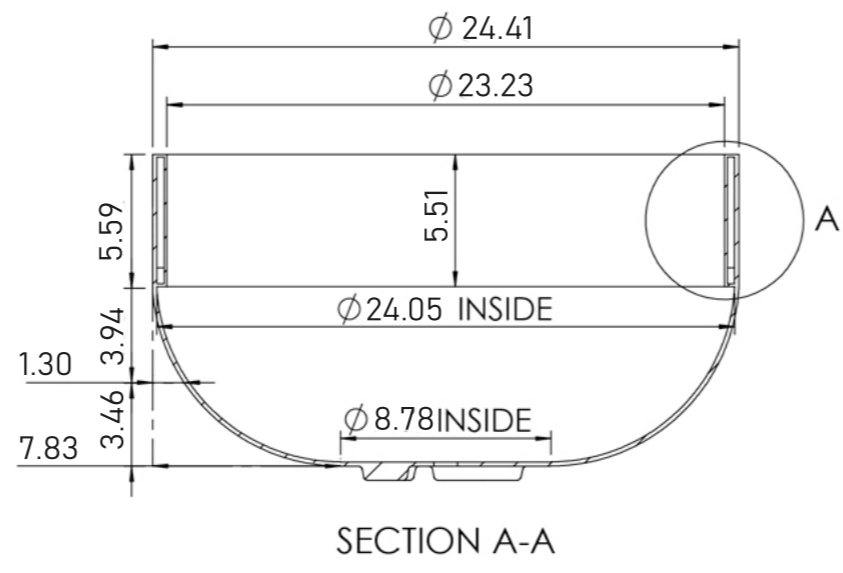
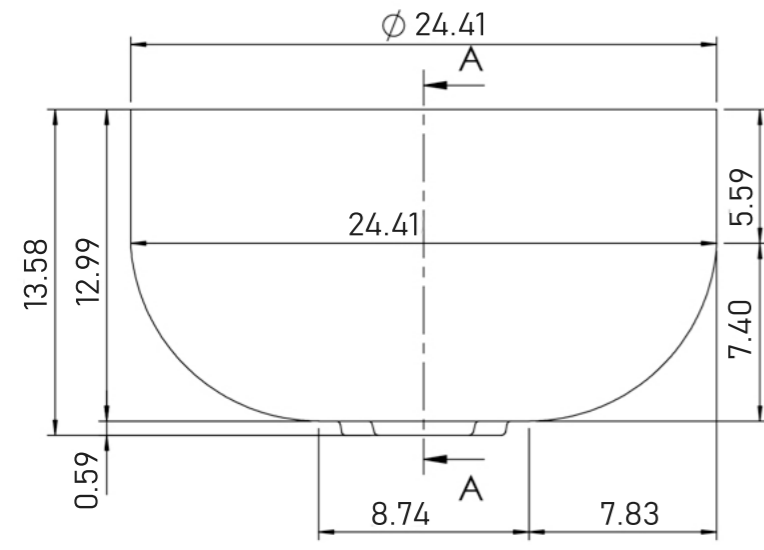


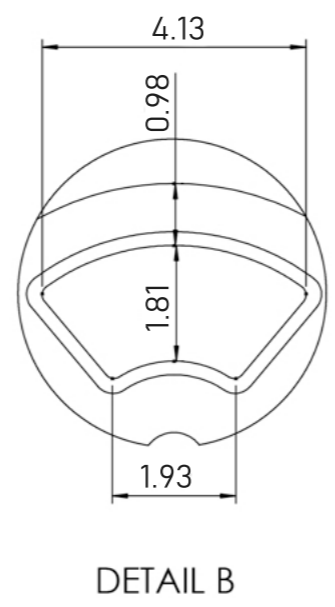
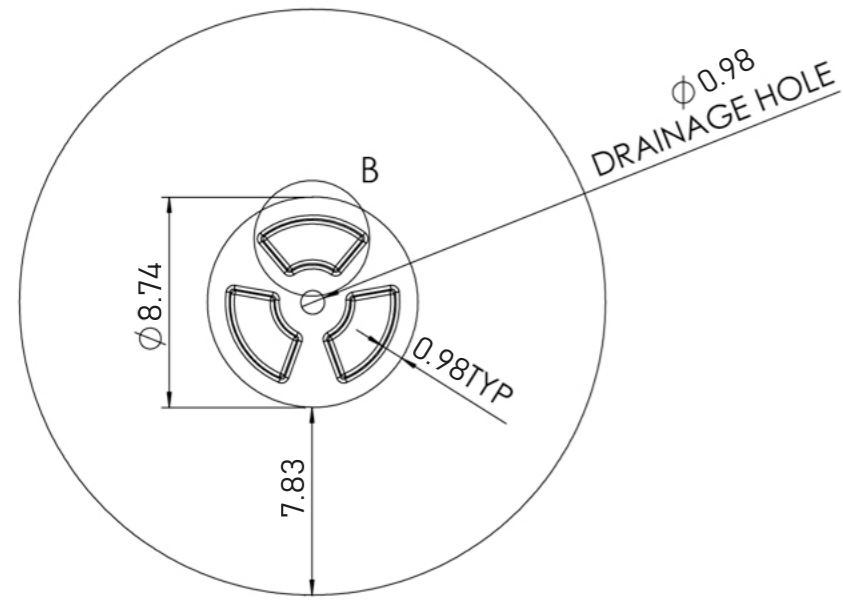
TOP



BODY



MOTION



SCALE: 1:8	WEIGHT: ..... kg	REVISION: 0	NAME	SIGNATURE	DATE		
PROJECT: COSA POTS			DRAWN: TOAN		12-Apr-24		
DESCRIPTION: ROCO 62			CHECKED: TOM			DIMENSION	
ITEM CODE: RO.62			CHECKED: HUU TUAN			SYMBOL	UNIT
FIBERGLASS LAYER: .....			CHECKED:			[ NUMBER " ]	INCH
PRIMER <input type="checkbox"/> TOPCOAT <input type="checkbox"/>			MFG APPR: THU HANH			NUMBER	INCH
COLOR: TBD			MFG APPR: UYEN HANH			MATERIAL: COMPOSITE	
SHEET 1 OF 1						SIZE: A3	