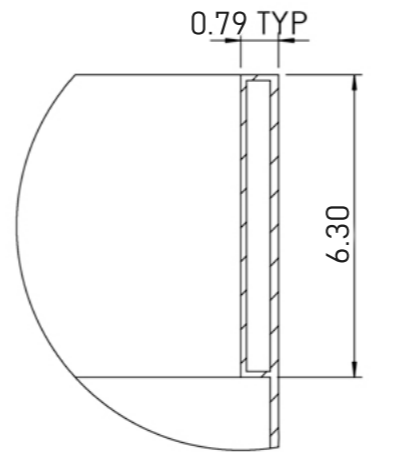
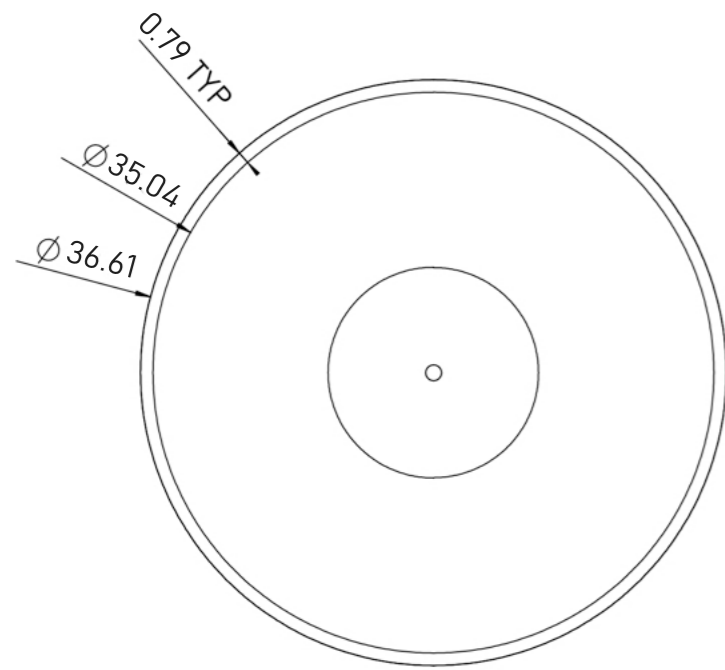
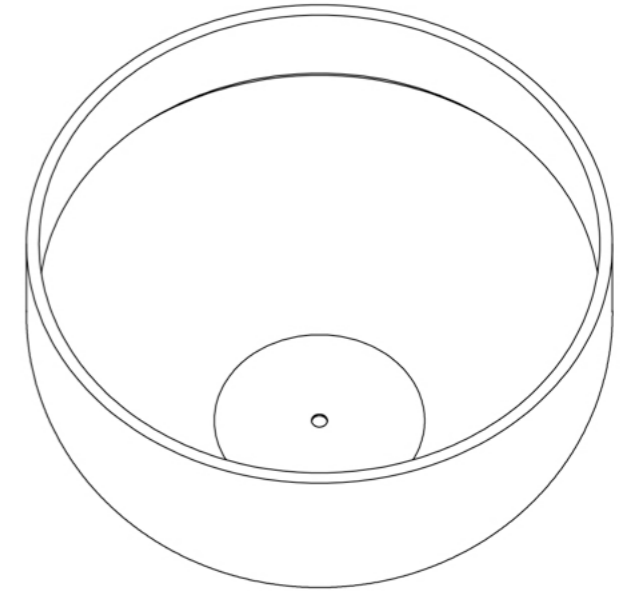


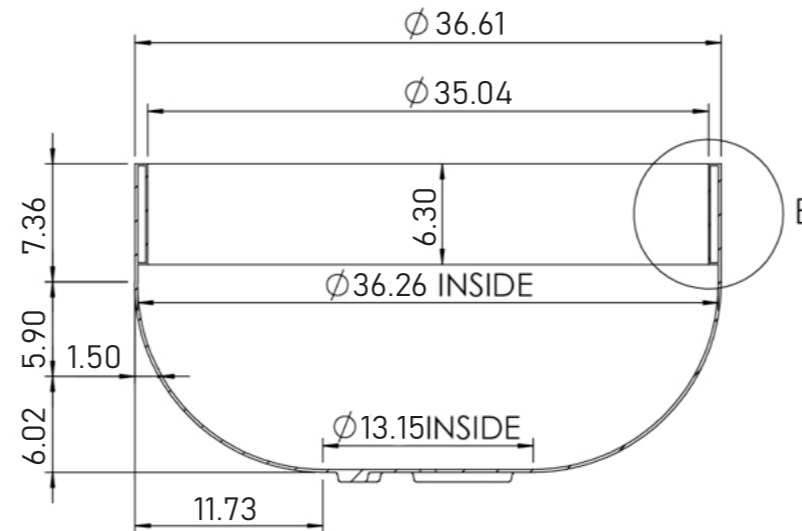
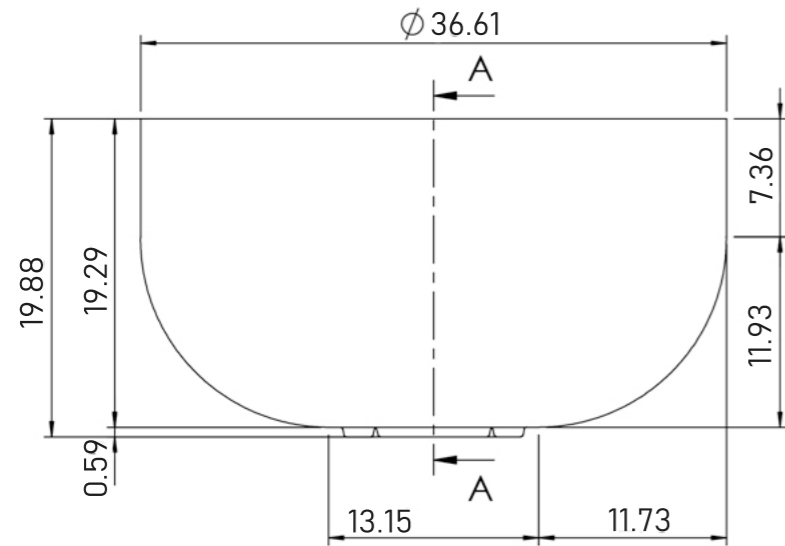
TOP



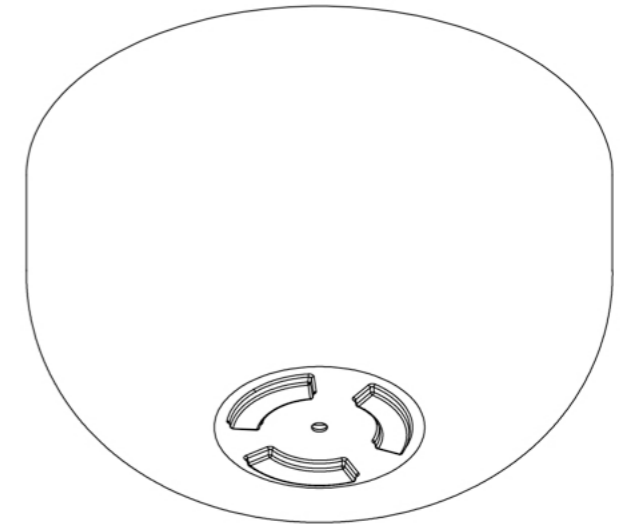
DETAIL B



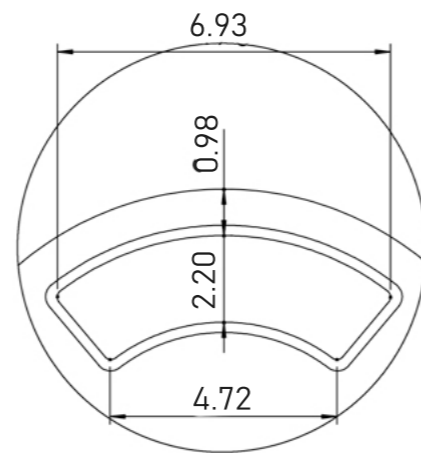
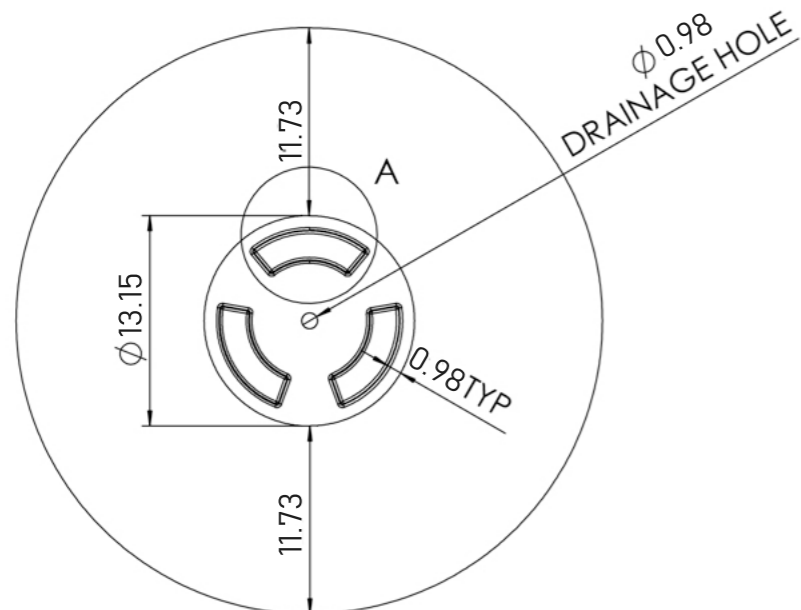
BODY



SECTION A-A



MOTOM



DETAIL A

SCALE : 1:12	WEIGHT: kg	REVISION : 0	NAME	SIGNATURE	DATE		
PROJECT: COSA POTS			DRAWN	TOAN	12-Apr-24		
DESCRIPTION: ROCO 93			CHECKED	TOM		DIMENSION	
ITEM CODE: RO.93			CHECKED	HUU TUAN		SYMBOL	UNIT
FIBERGLASS LAYER:			CHECKED			[NUMBER "]	INCH
PRIMER <input type="checkbox"/> TOPCOAT <input type="checkbox"/>			MFG APPR	THU HANH		NUMBER	INCH
COLOR: TBD			MFG APPR	UYEN HANH		MATERIAL: COMPOSITE	
						SHEET 1 OF 1	SIZE: A3