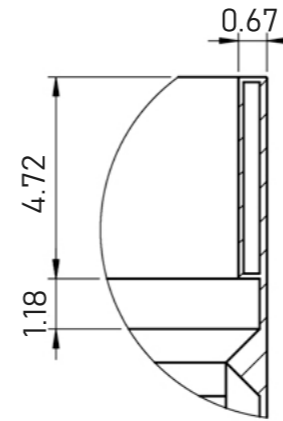
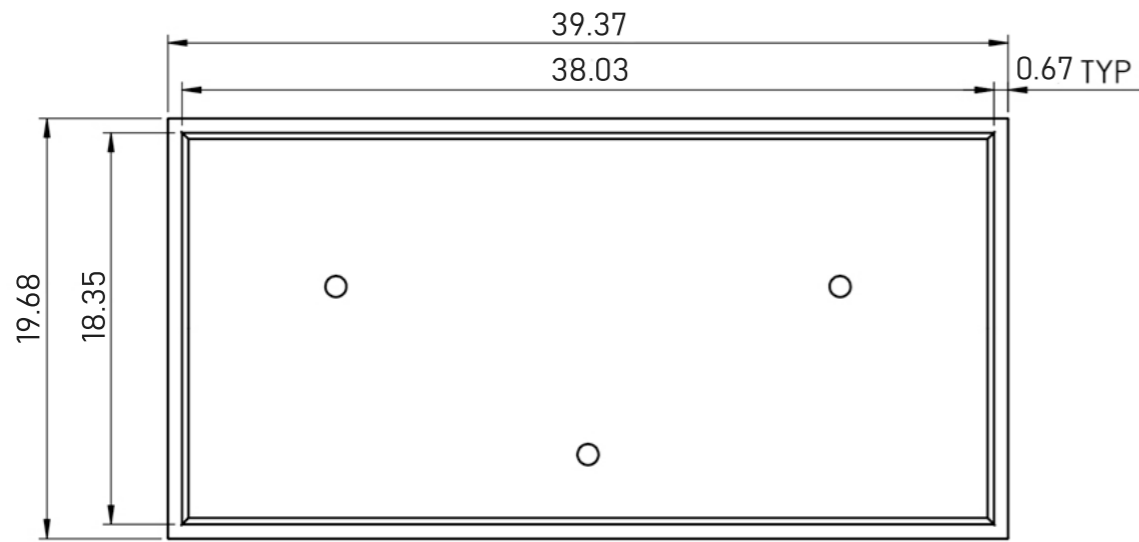
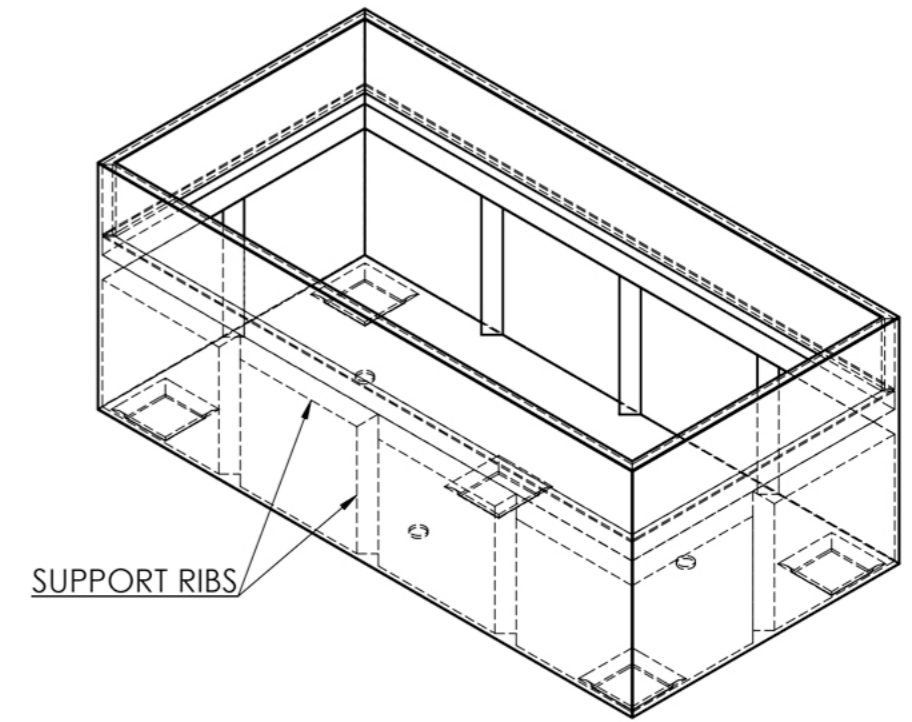


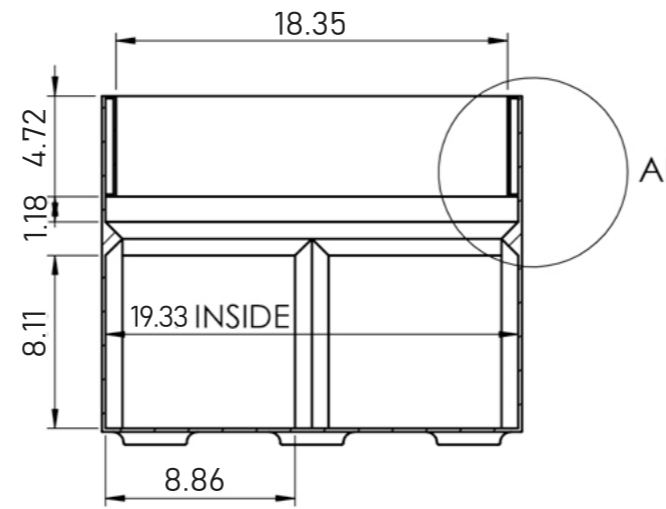
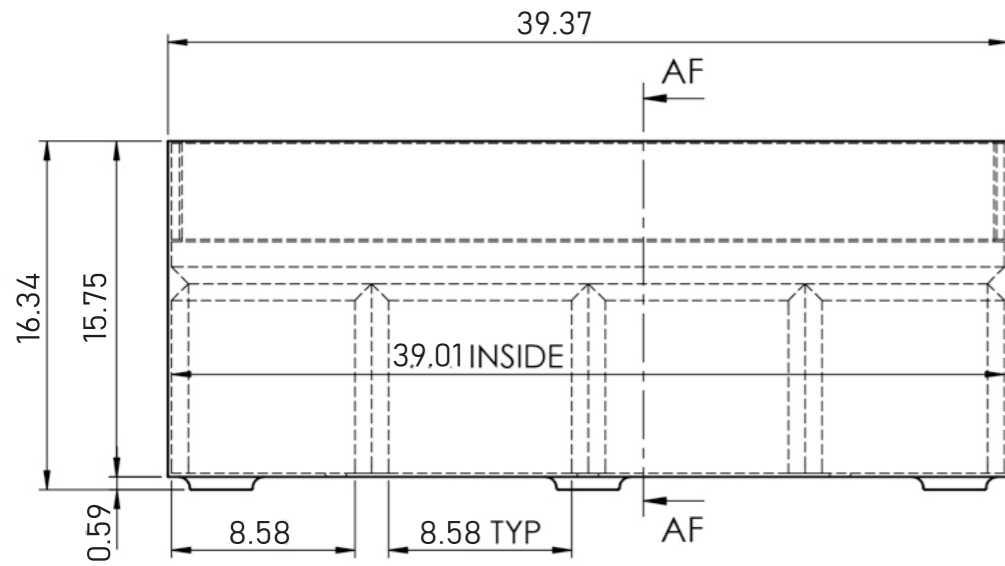
TOP



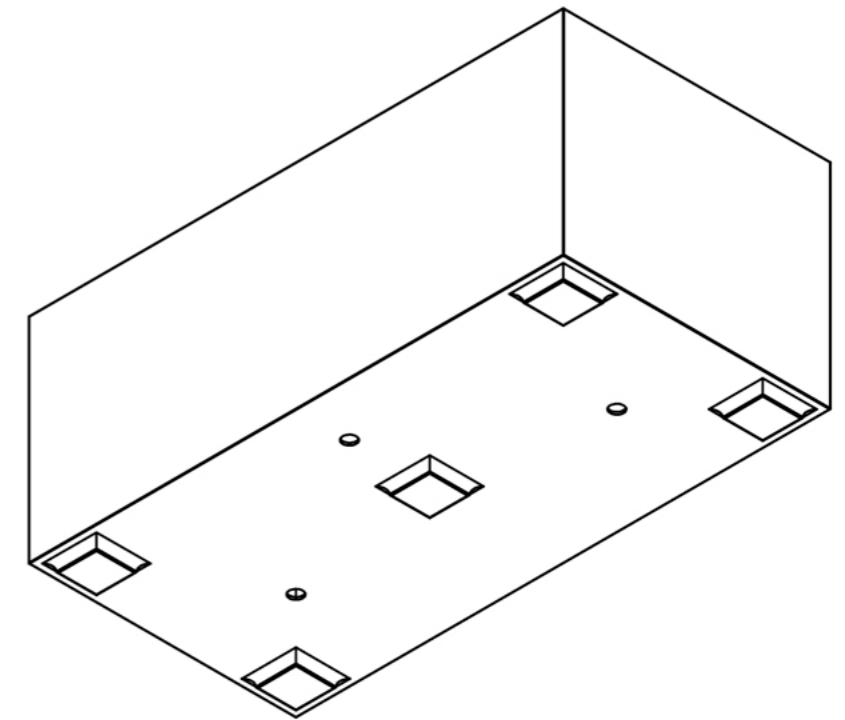
DETAIL AI



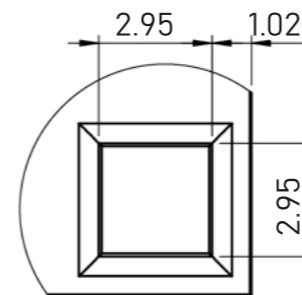
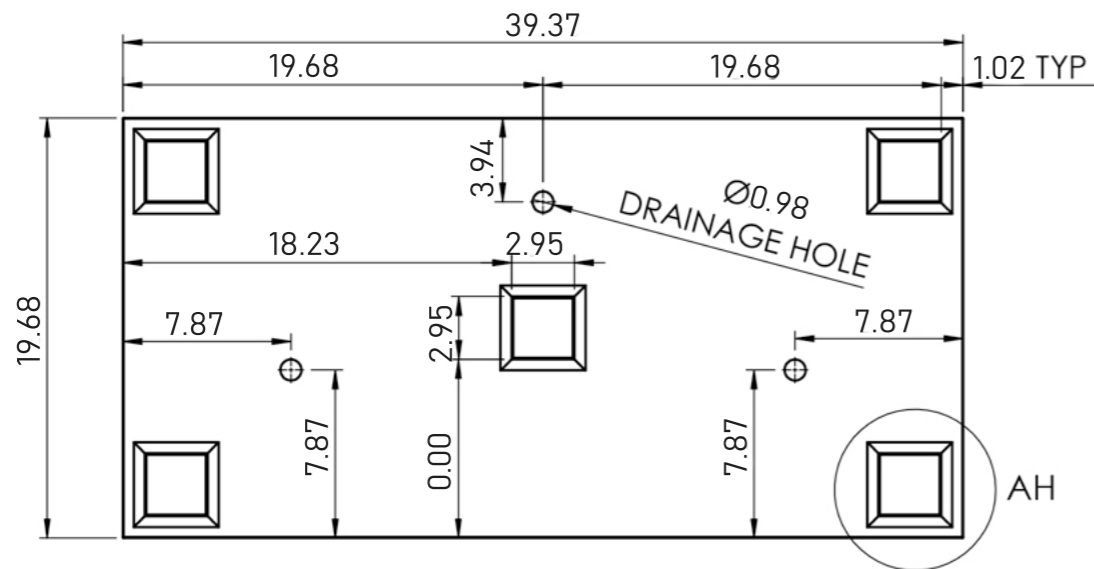
BODY



SECTION AF-AF



BOTTOM



DETAIL AH

SCALE : 1:9	WEIGHT: kg	REVISION : 0	NAME	SIGNATURE	DATE		
PROJECT: COSA POTS			DRAWN: TOM		19/09/2024		
DESCRIPTION: SEMPLITO 40			CHECKED: TOÀN				
ITEM CODE: SEI.40			CHECKED:			DIMENSION	
FIBERGLASS LAYER:			CHECKED:			SYMBOL	UNIT
PRIMER <input type="checkbox"/> TOPCOAT <input type="checkbox"/>			CHECKED:			[NUMBER "]	INCH
COLOR: TBD			MFG APPR: THU HANH			NUMBER	INCH
			MFG APPR: UYÊN HANH			MATERIAL: COMPOSITE	
						SHEET 1 OF 1	SIZE: A3