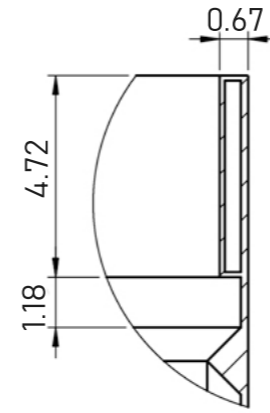
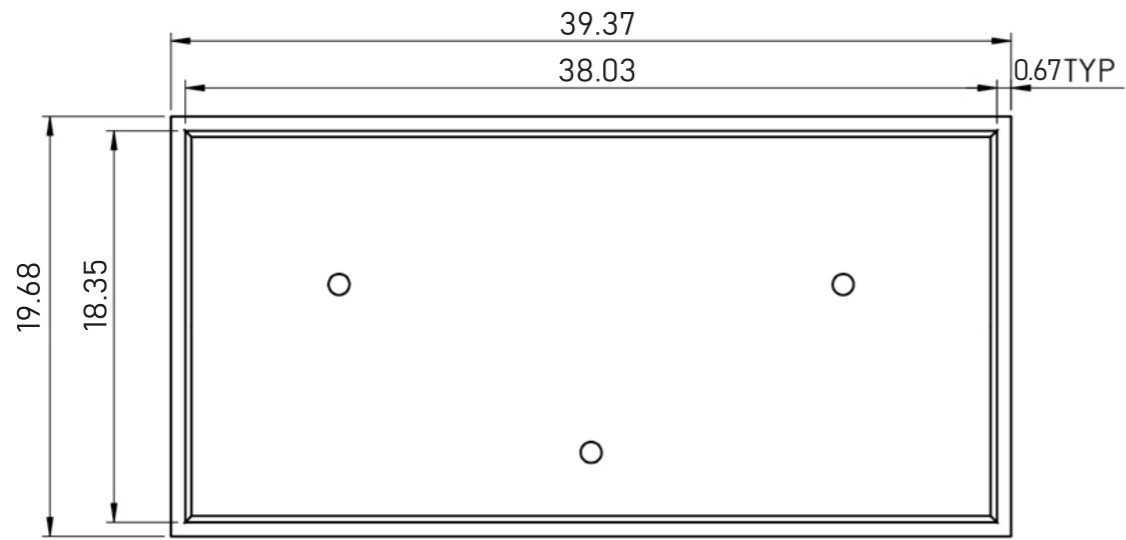
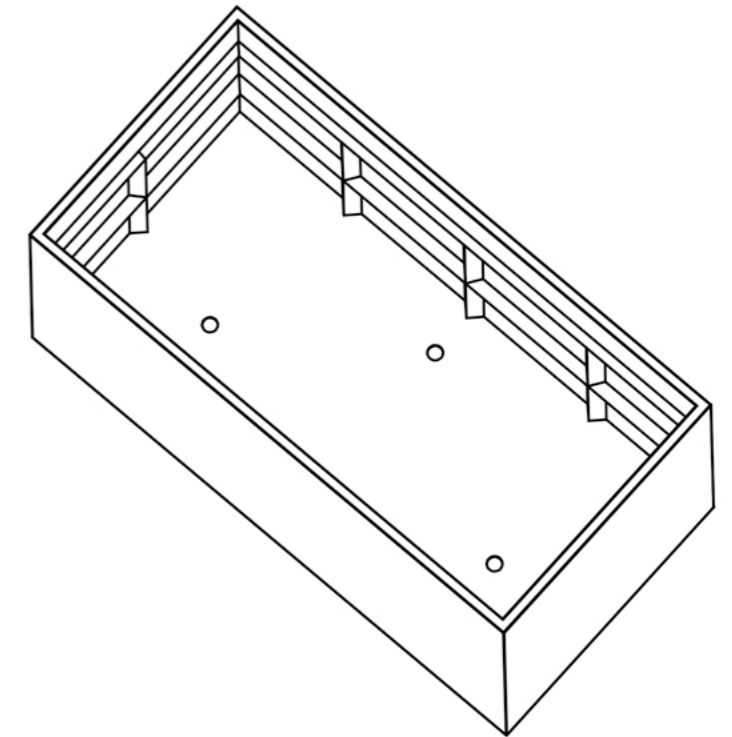


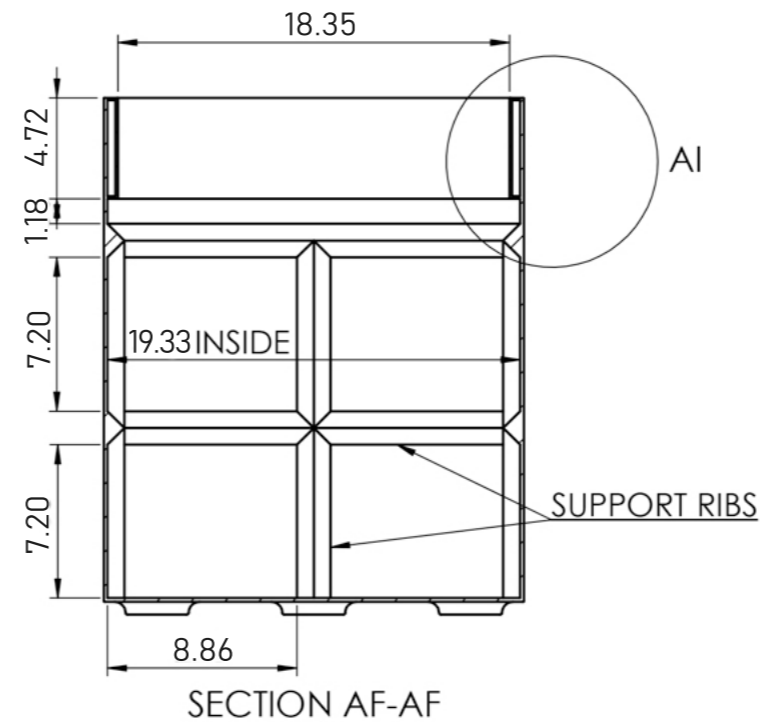
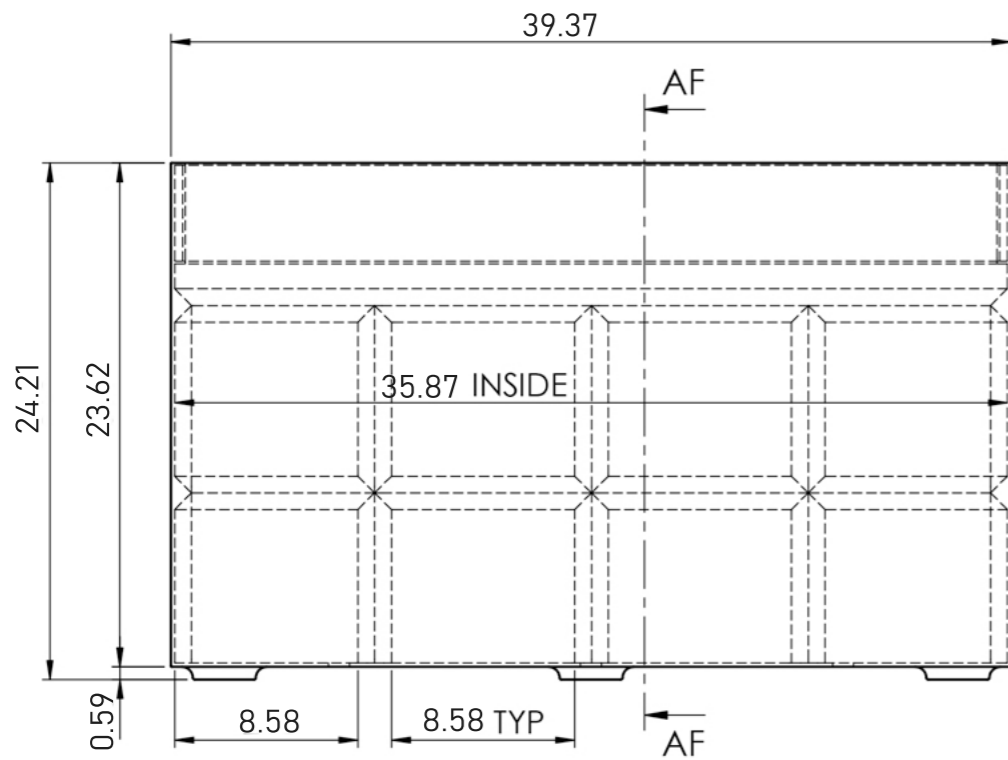
T
O
P



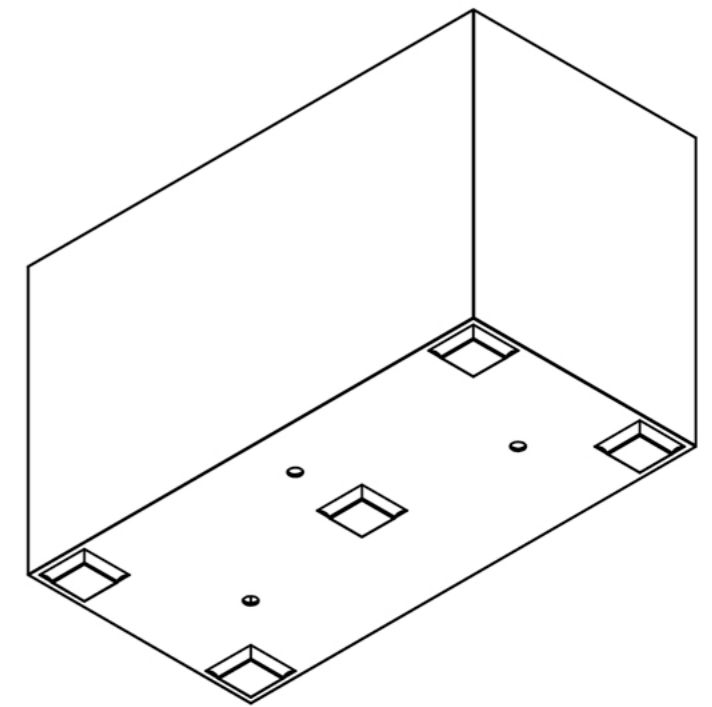
DETAIL AI



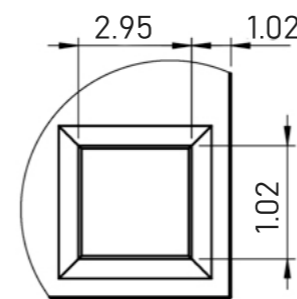
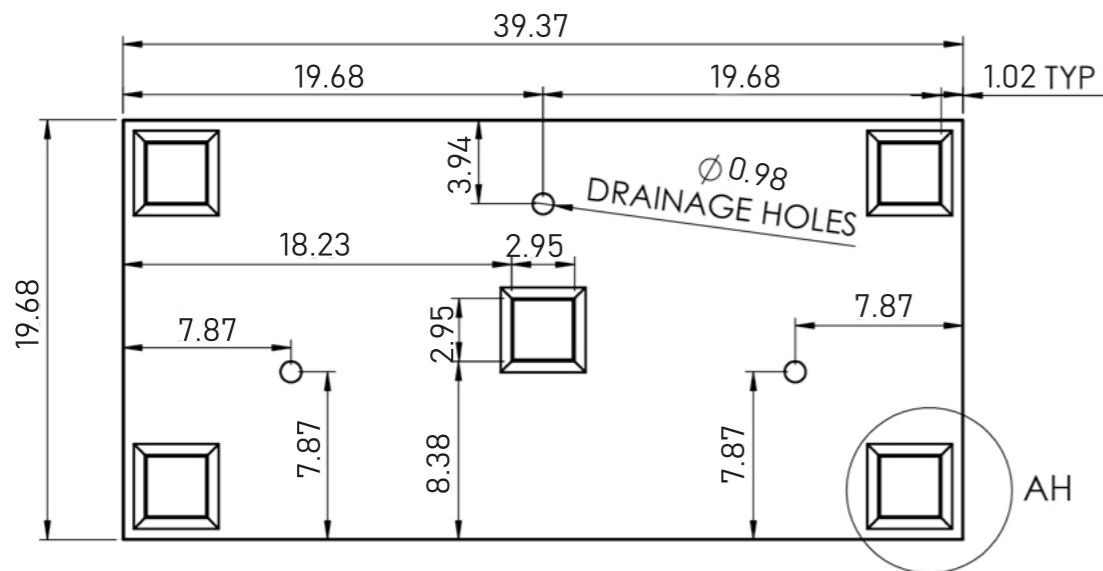
B
O
D
Y



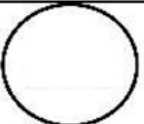
SECTION AF-AF



B
O
T
T
O
M



DETAIL AH

SCALE: 1:9	WEIGHT: kg	REVISION: 0	NAME	SIGNATURE	DATE		
PROJECT: COSA POTS			DRAWN: TOM		03-Jun-24		
DESCRIPTION: SEMPLITO 60			CHECKED: TOAN				
ITEM CODE: SEI.60			CHECKED:			DIMENSION	
FIBERGLASS LAYER:			CHECKED:			SYMBOL	UNIT
PRIMER <input type="checkbox"/> TOPCOAT <input type="checkbox"/>			CHECKED:			[NUMBER "]	INCH
COLOR: TBD			MFG APPR: THU HANH			NUMBER	INCH
			MFG APPR: UYEN HANH			MATERIAL: COMPOSITE	
						SHEET 1 OF 1	SIZE: A3