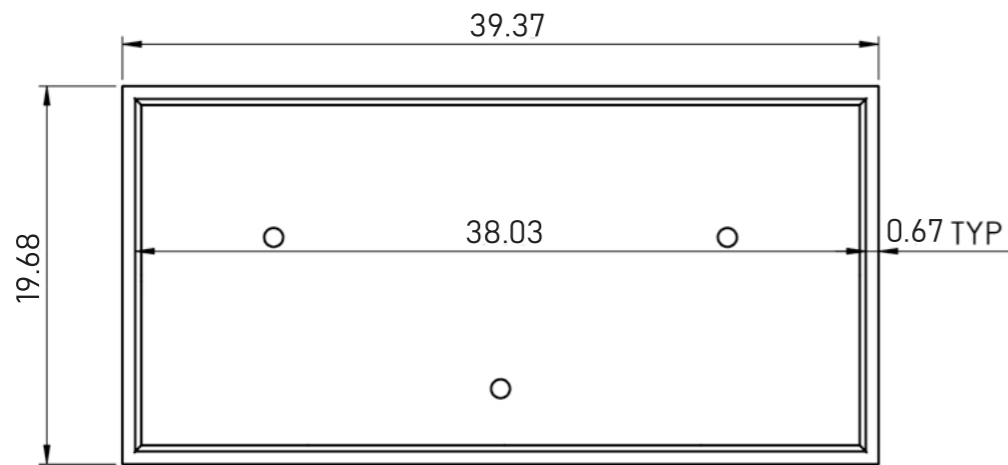
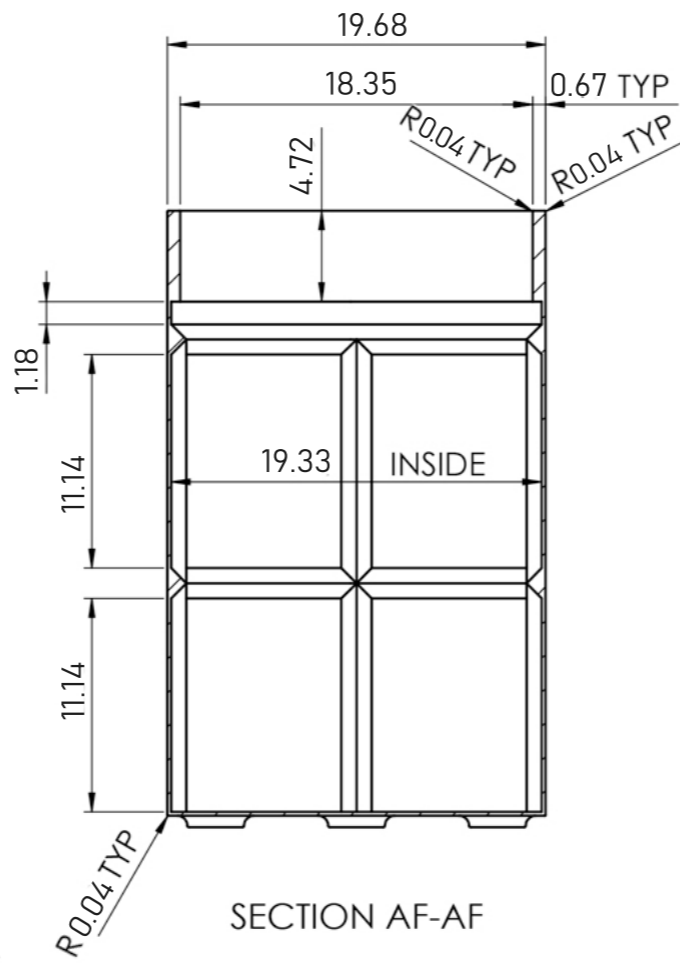
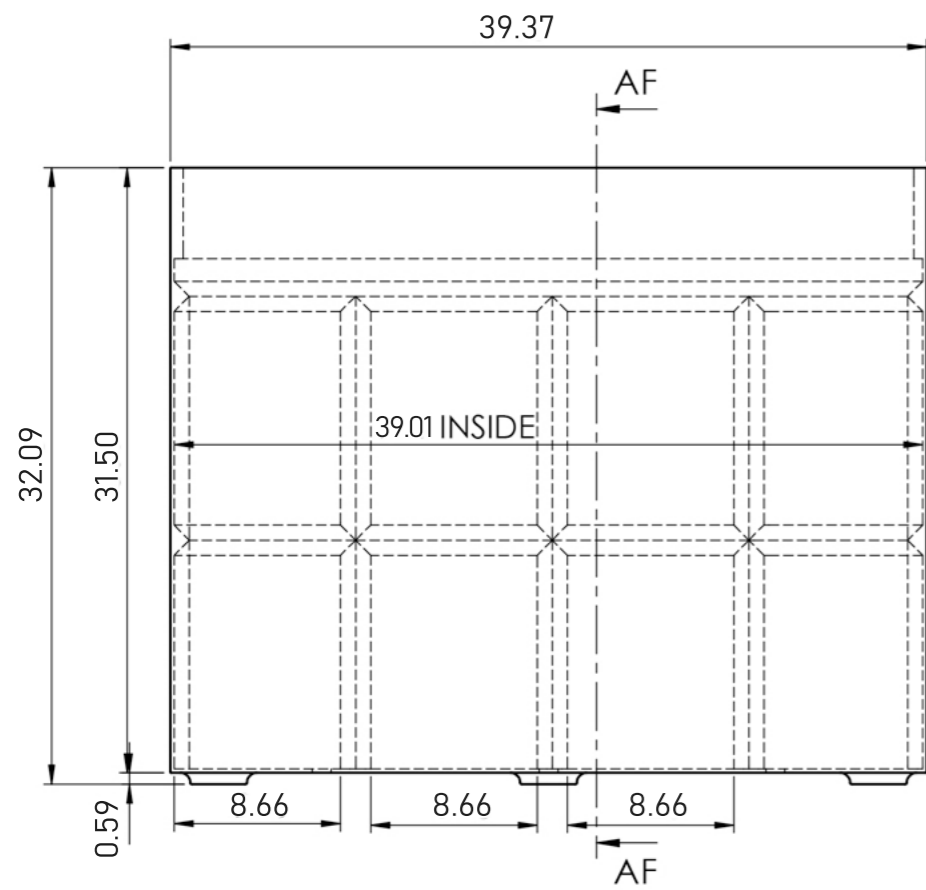


TOP

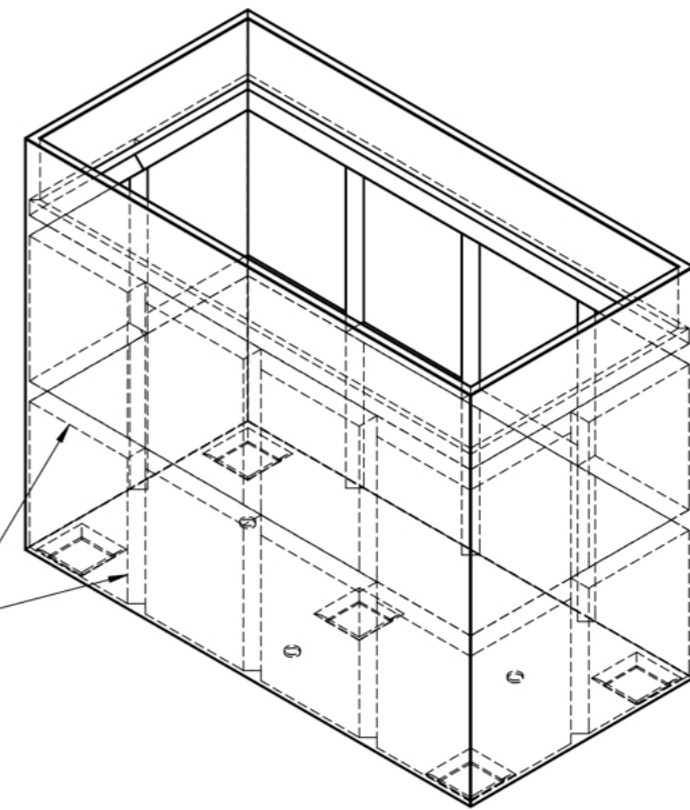


BODY

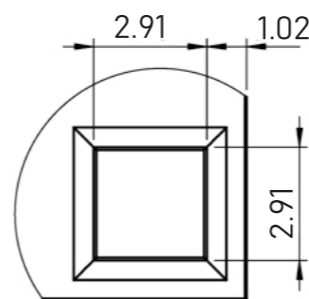
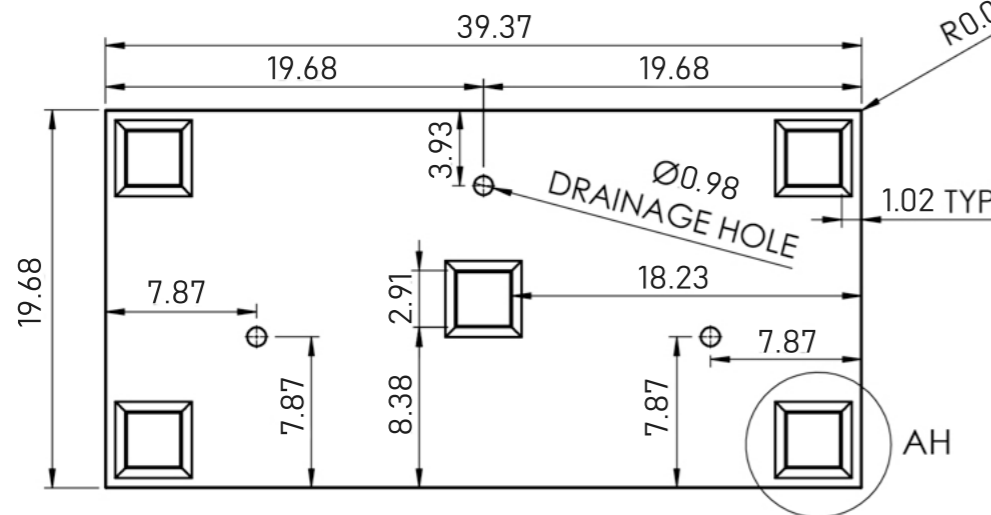


SECTION AF-AF

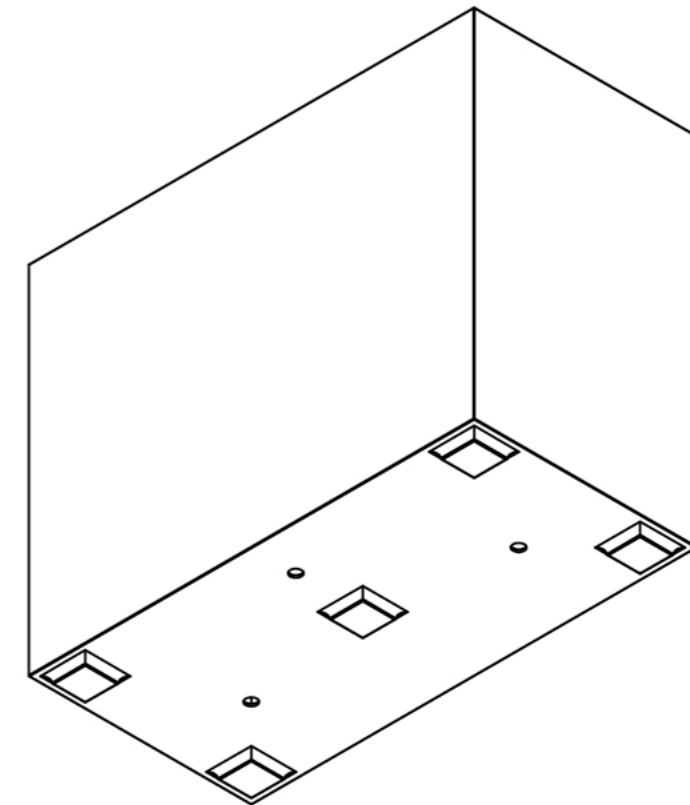
SUPPORT RIBS



BOTTOM



DETAIL AH



SCALE : 1:10	WEIGHT: kg	REVISION : 0	NAME	SIGNATURE	DATE		
PROJECT: COSA POTS			DRAWN: TOM		19/09/2024		
DESCRIPTION: SEMPLITO 80			CHECKED: TOÀN			DIMENSION	
ITEM CODE: SEI.80			CHECKED:			SYMBOL	UNIT
FIBERGLASS LAYER:			CHECKED:			[NUMBER "]	INCH
PRIMER <input type="checkbox"/> TOPCOAT <input type="checkbox"/>			MFG APPR: THU HANH			NUMBER	INCH
COLOR: TBD			MFG APPR: UYÊN HẠNH			MATERIAL: COMPOSITE	
SHEET 1 OF 1						SIZE: A3	