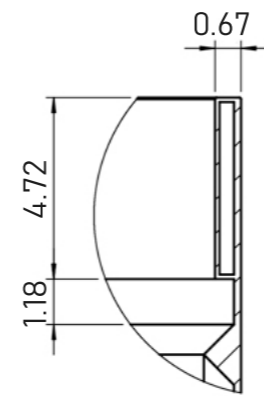
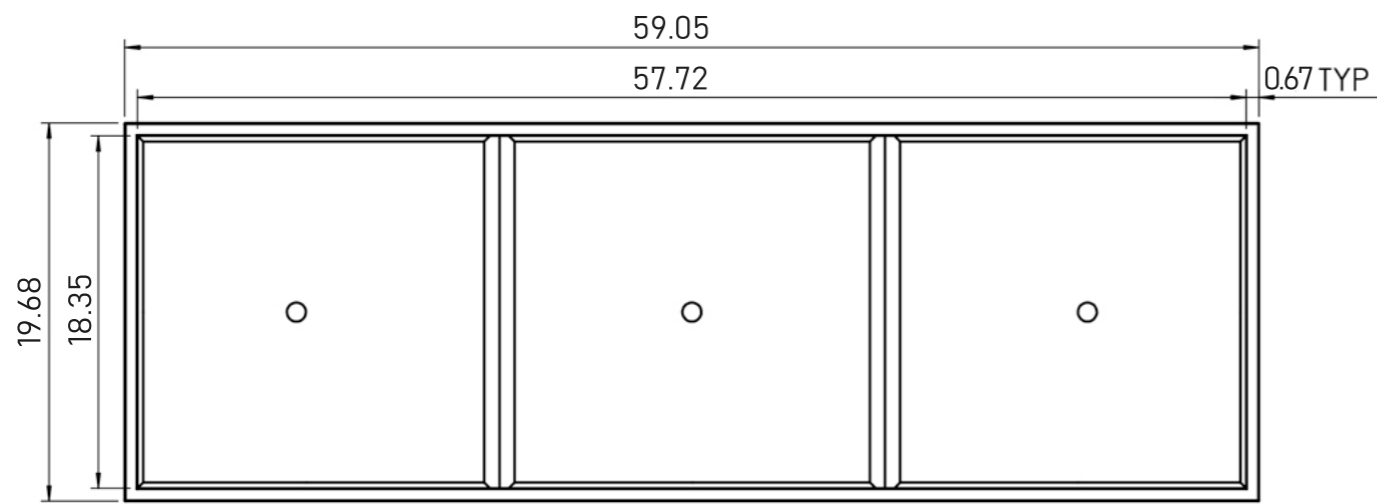
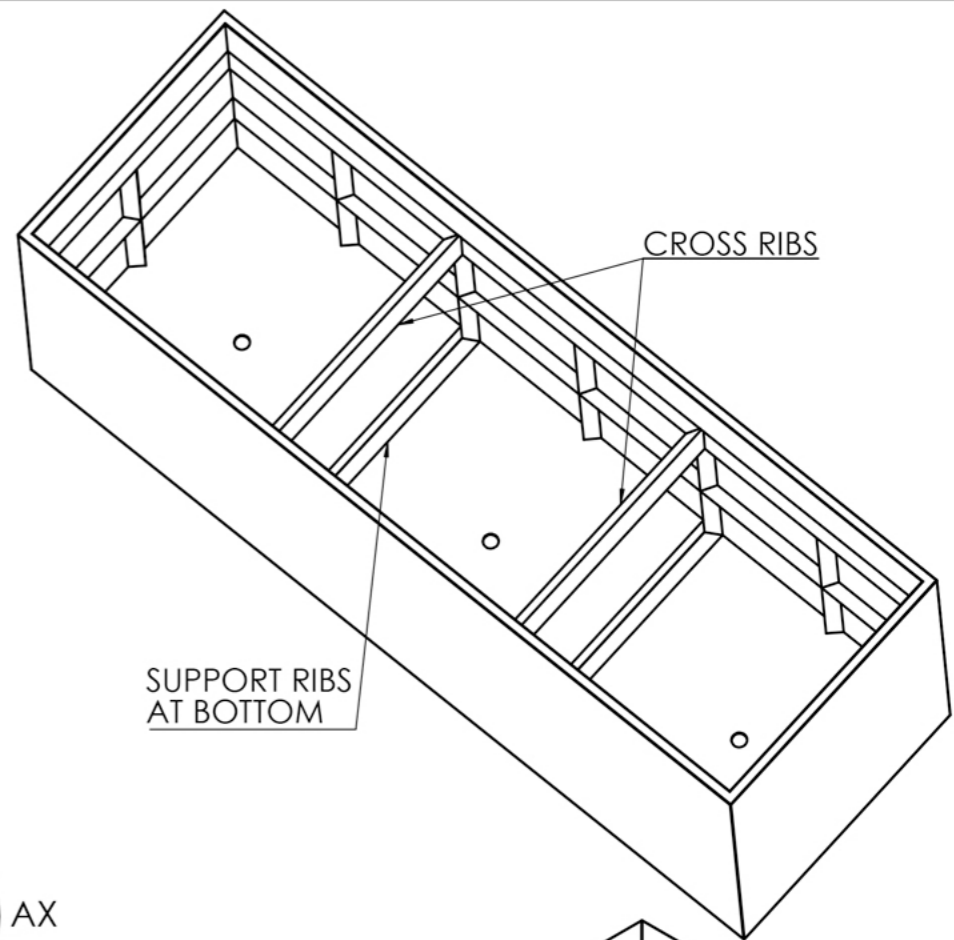


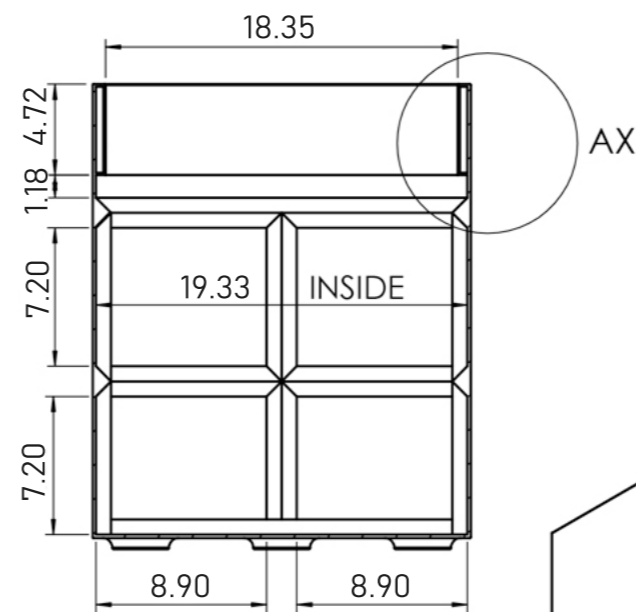
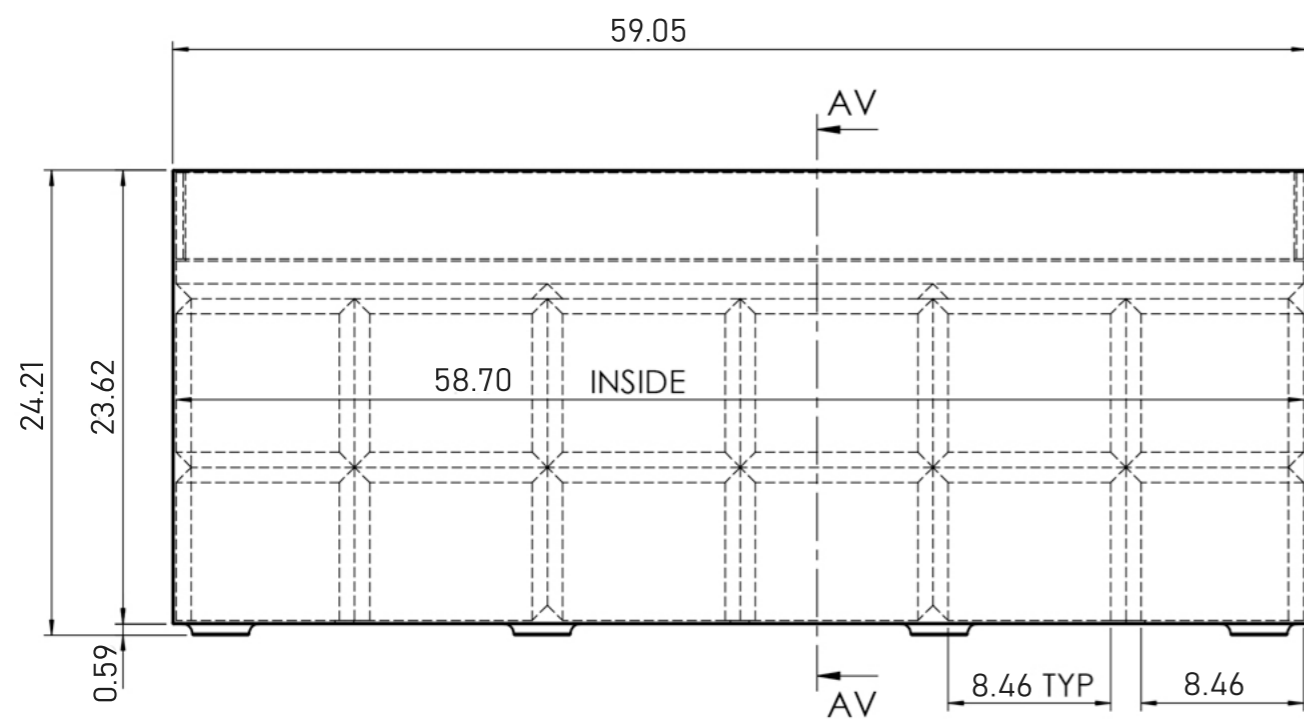
TOP



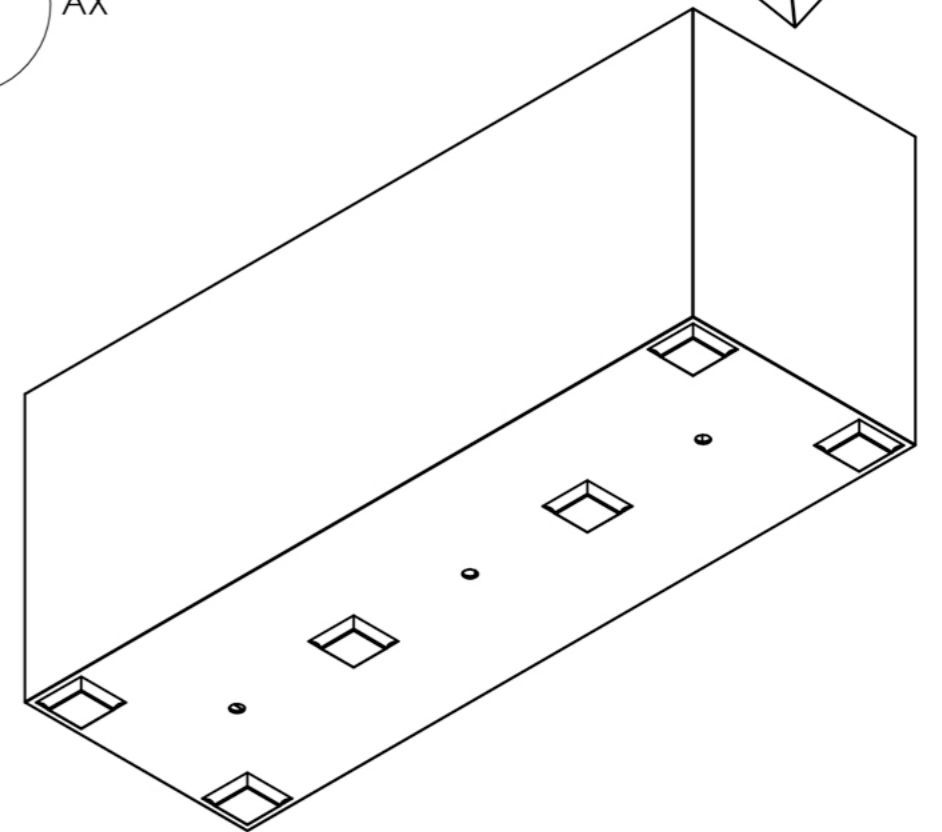
DETAIL AX



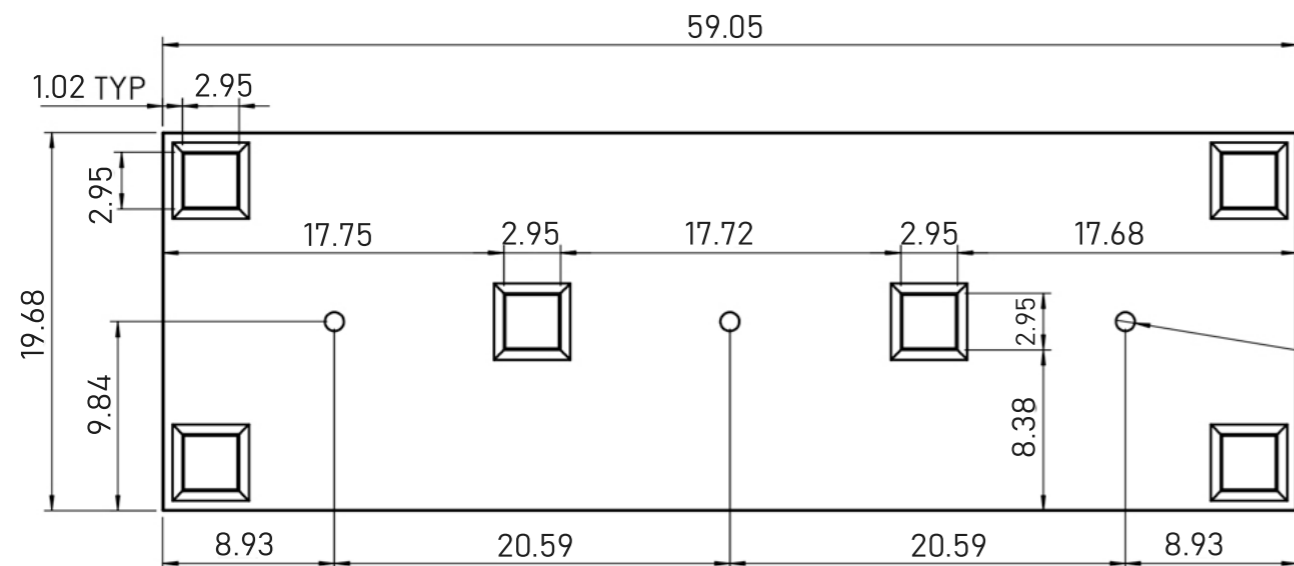
BODY



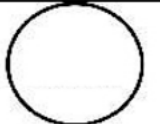
SECTION AV-AV



MOTOR



Ø0.58 DRAINAGE HOLES

SCALE : 1:10	WEIGHT: ..... kg	REVISION : 0	NAME	SIGNATURE	DATE	
PROJECT: COSA POTS			DRAWN	TOM	03-Jun-24	
DESCRIPTION: SEMPLITO GRAND 60			CHECKED	TOAN		
ITEM CODE: SEIg.60			CHECKED			
FIBERGLASS LAYER: .....			MFG APPR	THU HANH		MATERIAL: COMPOSITE
PRIMER <input type="checkbox"/>	TOPCOAT <input type="checkbox"/>	COLOR: TBD	MFG APPR	UYEN HANH		SHEET 1 OF 1
						SIZE: A3