

# Asheville Cube Planter

## 74141.17

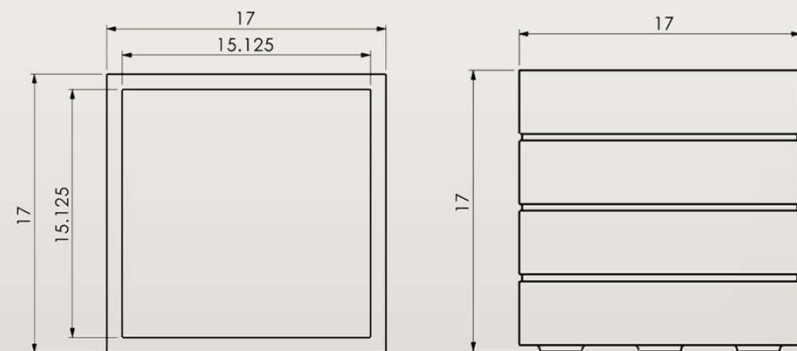
Exterior Dimension: 17L x 17W x 17H (inch)

Interior Opening Dimension: 15.125L x 15.125W (inch)

Weight: 8 (kg)  $\approx$  17.6 (lb)

Material: Fiberglass Composite

**Note:** Dimensions and weight may slightly vary due to the product's handmade nature.



# Asheville Cube Planter

## 74141.20

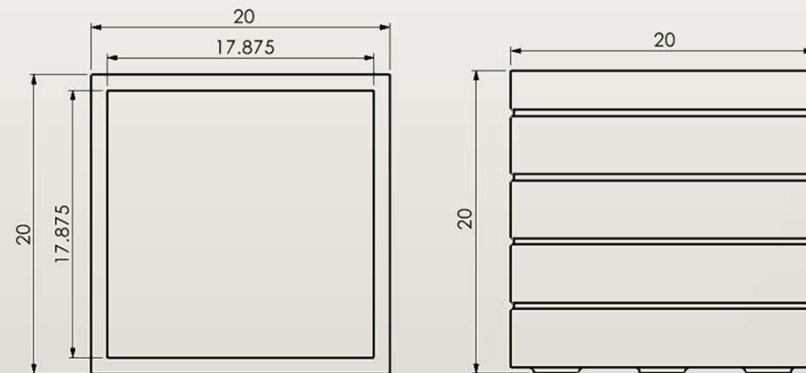
Exterior Dimension: 2L x 2W x 2H (inch)

Interior Opening Dimension: 17.875L x 17.875W (inch)

Weight: 12 (kg)  $\approx$  26.5 (lb)

Material: Fiberglass Composite

**Note:** Dimensions and weight may slightly vary due to the product's handmade nature.



# Asheville Cube Planter

## 74141.24

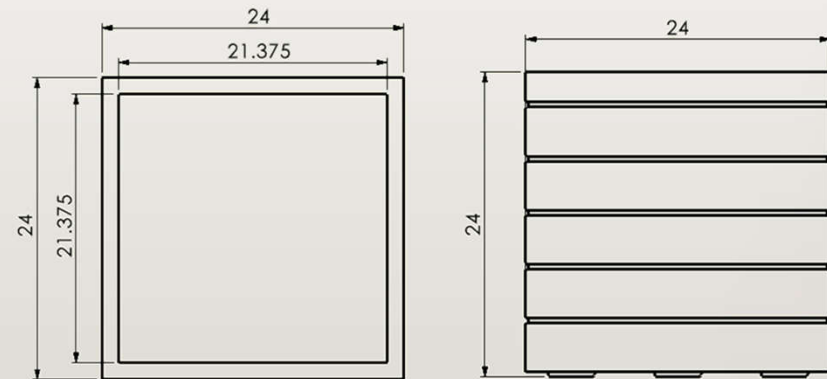
Exterior Dimension: 24L x 24W x 24H (inch)

Interior Opening Dimension: 21.375L x 21.375W (inch)

Weight: 19 (kg)  $\approx$  42 (lb)

Material: Fiberglass Composite

**Note:** Dimensions and weight may slightly vary due to the product's handmade nature.



# Asheville Cube Planter

## 74141.28

Exterior Dimension: 28L x 28W x 28H (inch)

Interior Opening Dimension: 24.875L x 24.875W (inch)

Weight: 29 (kg)  $\approx$  64 (lb)

Material: Fiberglass Composite

**Note:** Dimensions and weight may slightly vary due to the product's handmade nature.

