

Westfield 15"

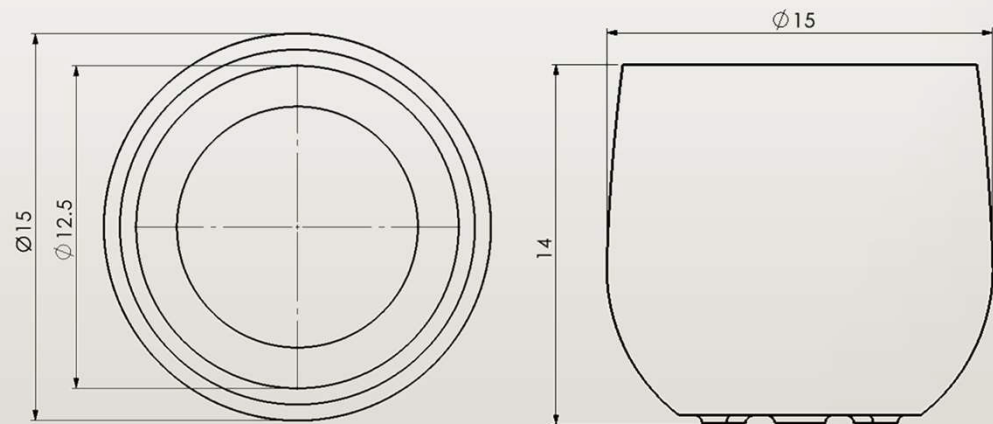
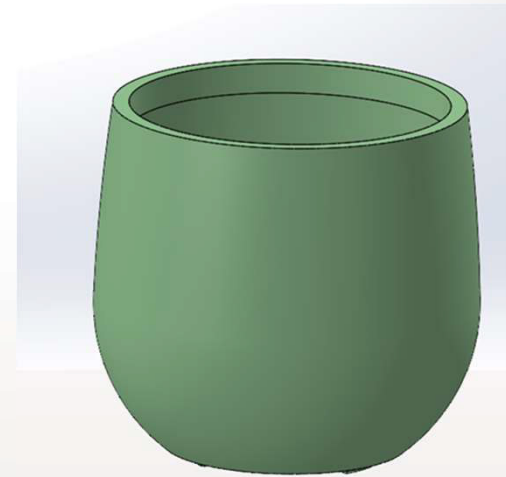
73150.15

Exterior Dimension: 15L x 15W x 14H (inch)

Interior Opening Dimension: 12.5L x 12.5W (inch)

Weight: 4 (kg) \approx 8.8 (lb)

Material: Fiberglass Composite



Note: Dimensions and weight may slightly vary due to the product's handmade nature.